



TECHNICAL DIAGRAMS



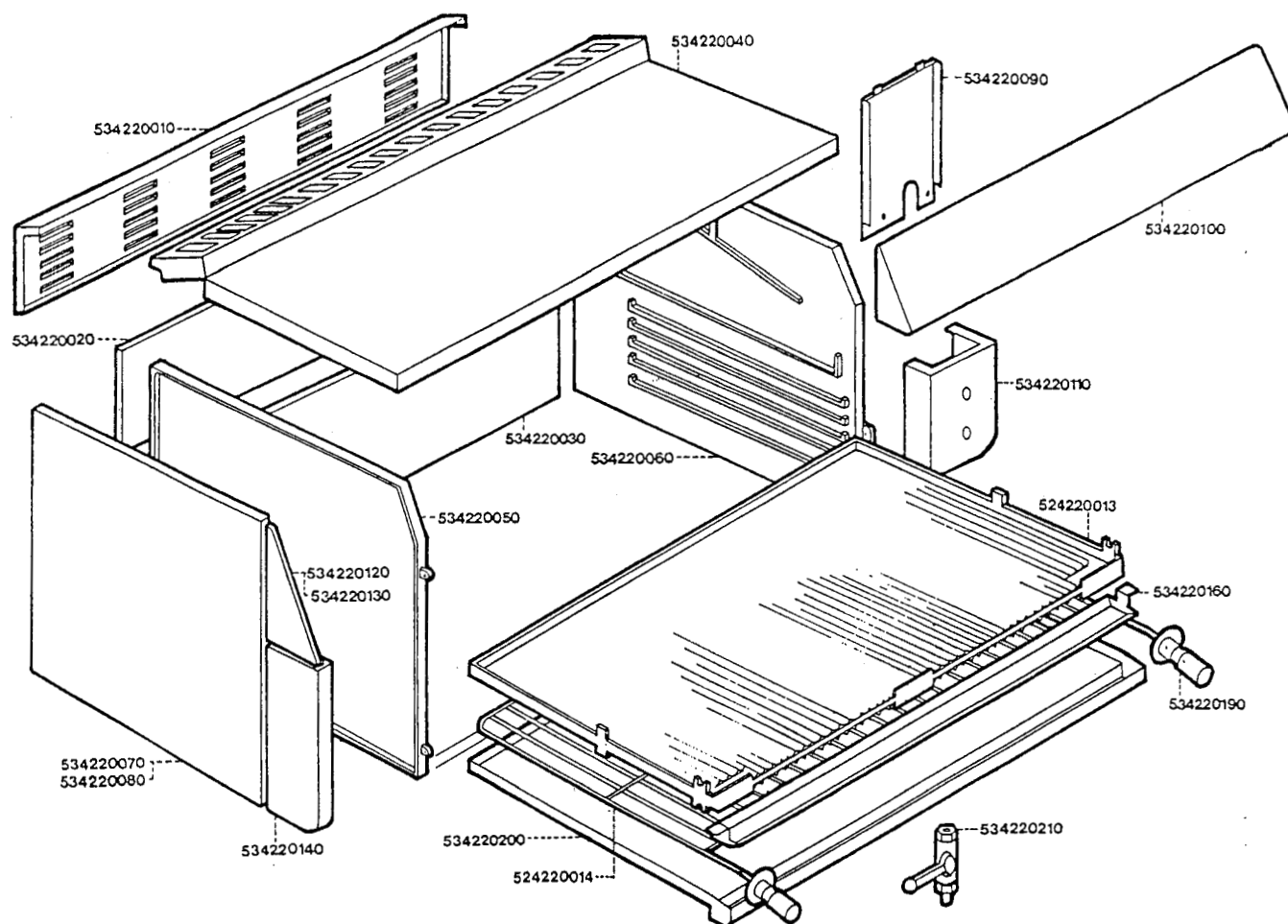
G1528

01706 353 633

WWW.FOODSERVICESPARES.COM

G1528 GRILL

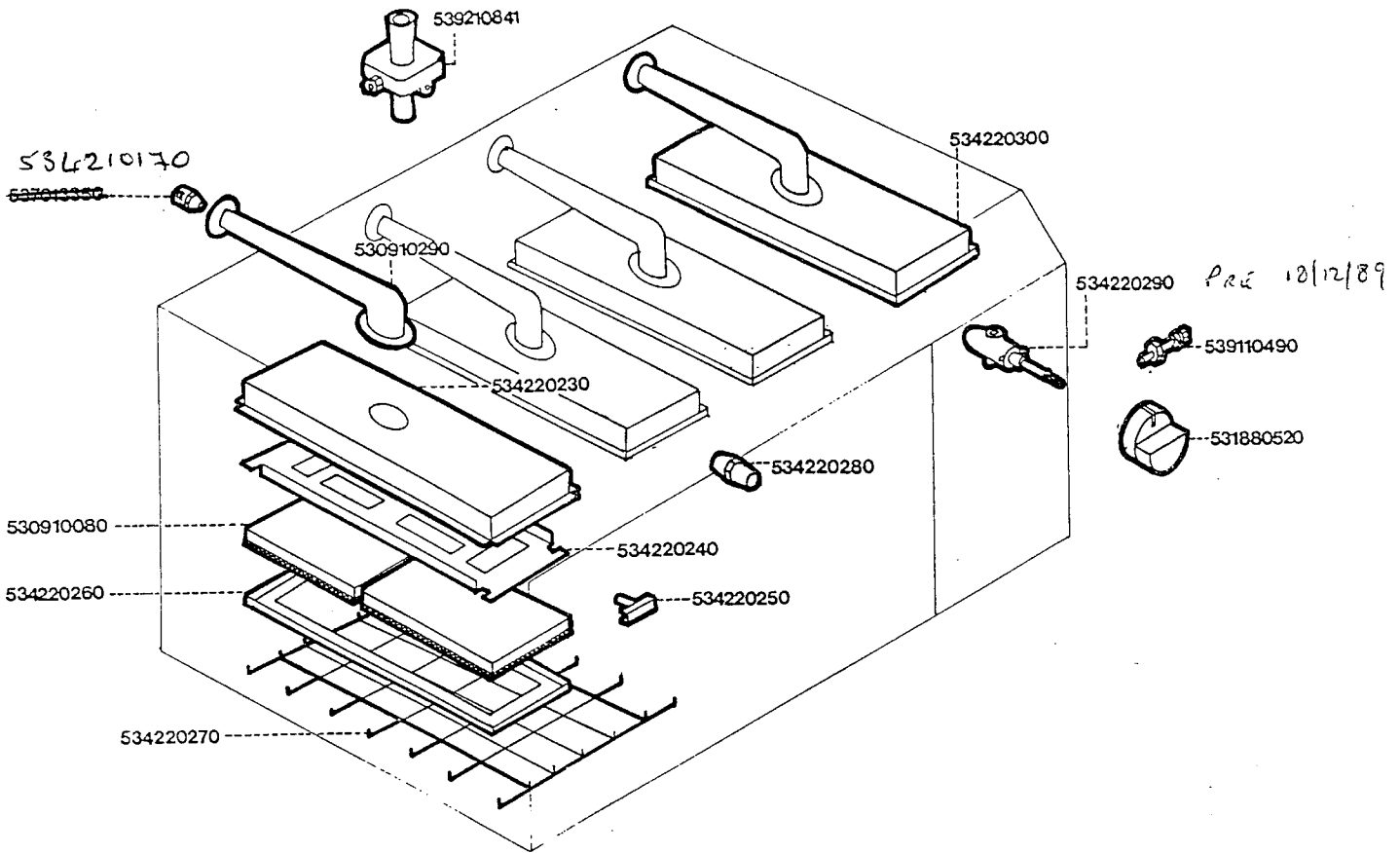
Fitments



Code	No.	Description
E03	534220010	Top Outer Back Panel
E02	534220020	Bottom Outer Back Panel
E02	534220030	Bottom Inner Back Panel
F11	534220040	Top Panel
G10	534220050	L.H. Inner Side Panel
G10	534220060	R.H. Inner Side Panel
E02	534220070	L.H. Outer Side Panel
E02	534220080	R.H. Outer Side Panel
C12	534220090	Control Compartment Rear Cover
F03	534220100	Top Front Fascia Panel
E05	534220110	Control Panel
C11	534220120	L.H. Top Side Trim
C11	534220130	R.H. Top Side Trim
D12	534220140	L.H. Bottom Side Trim
*	524220013	Brander
E01	534220160	Brander Drip Trough
*	524220014	Grid Shelf
C06	534220b90	Grid Shelf Handle
G01	534220200	Drip Tray
D01	534220210	Drain Valve Assembly

G1528 GRILL

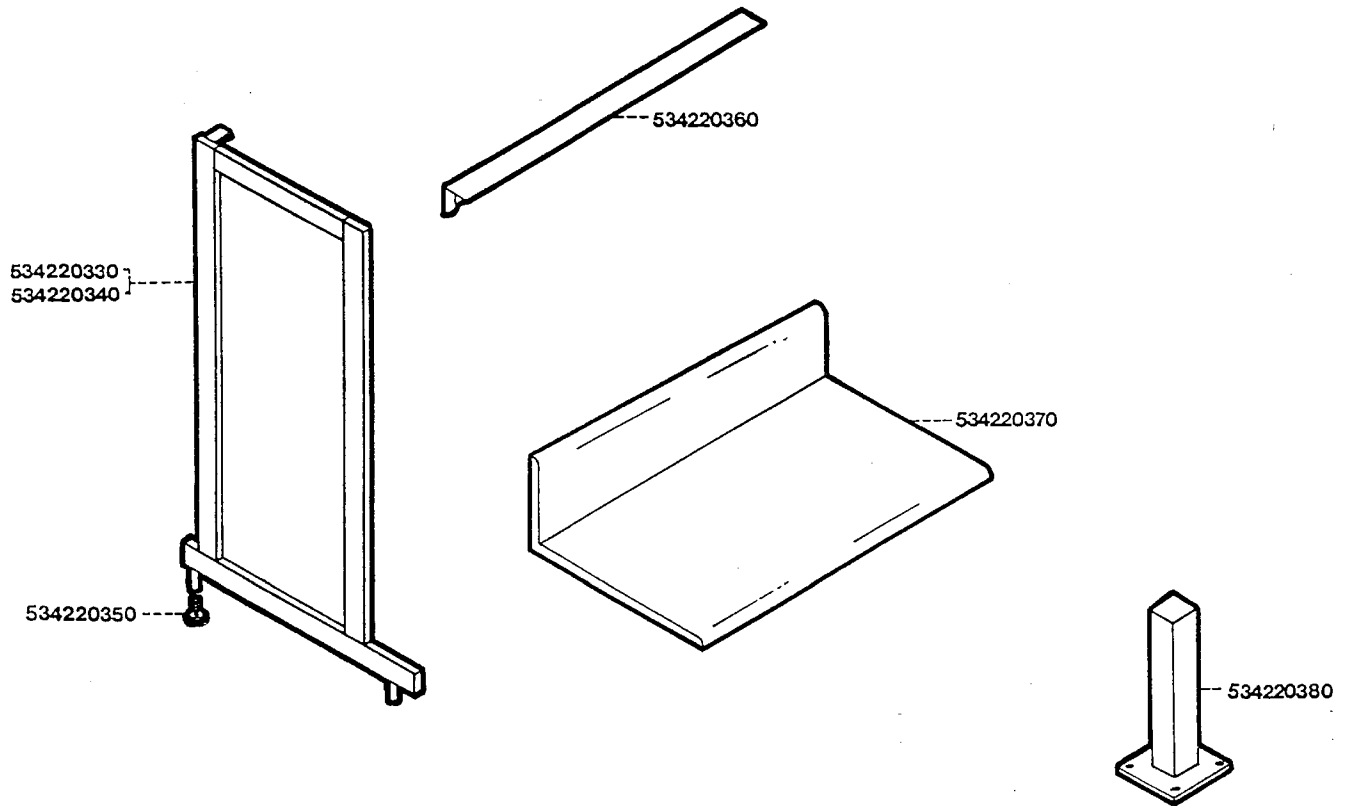
Burner Arrangement



Code	No.	Description
C09	530910080	Single Plaque
B12	530910290	Venturi
B06	531880520	Control Knob
E09	534220230	Burner Body
C12	534220240	Burner Baffle Plate
C10	534220250	Pilot/Cross Lighter
D01	524220260	Plaque Retaining Frame
E03	534220270	Burner Guard (Covers 2 Burners)
B06	534220280	Hex. Nipple
E05	534220290	Gas Cock - <i>PREF 12/12/89.</i>
J09	534220300	Complete Burner Assembly
C09	534220310	Gasket Set for 1 Burner (not illustrated)
E07	534220320	2 Plaques and Plaque Gaskets (not illustrated)
B01	534210170	Burner Injector <i>N.L.</i>
B01	539110490	Test Nipple
E02	539210841	Governor

G1528 GRILL

Stand Fitments



<u>Code</u>	<u>No.</u>	<u>Description</u>
G06	534220330	L.H. Upright
G06	534220340	R.H. Upright
B10	534220350	Foot
D02	534220360	Top Skirt
F02	534220370	Shelf
D12	534220380	Optional Leg for Grill



FOODSERVICE EQUIPMENT SPARES LTD

UNIT 4 SANDBROOK PARK, SANDBROOK WAY, ROCHDALE, OL11 1RY

01706 353 633

SALES@FOODSERVICESPARES.COM



WWW.FOODSERVICESPARES.COM