



TECHNICAL **DIAGRAMS**

*Bar Aid*

BARAID 500/800

01706 353 633

[WWW.FOODSERVICESPARES.COM](http://WWW.FOODSERVICESPARES.COM)

---

**Valid for the following models:**

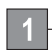

BARAID800-10A  
BARAID800S-10A

BARAID500-10A  
BARAID500S-10A  
BARAID500-13A

**Note**

For other voltages or electric components, refer to the wiring diagram shipped with the machine. Observe wiring diagram.

**Legend**

-  Recommended spare parts
-  Wearing parts

**Publisher**

HOBART GmbH  
Robert-Bosch-Str. 17  
77656 Offenburg

Telephone +49(0)781.600-0  
Fax +49(0)781.600-23 19

E-Mail: [info@hobart.de](mailto:info@hobart.de)  
Internet: [www.hobart.de](http://www.hobart.de)

**Product liability**

Installations and repairs which are carried out by non-authorized technicians or the use of other than original spare parts, and any technical alterations to the machine, may affect the warranty set out in the standard conditions of sale.

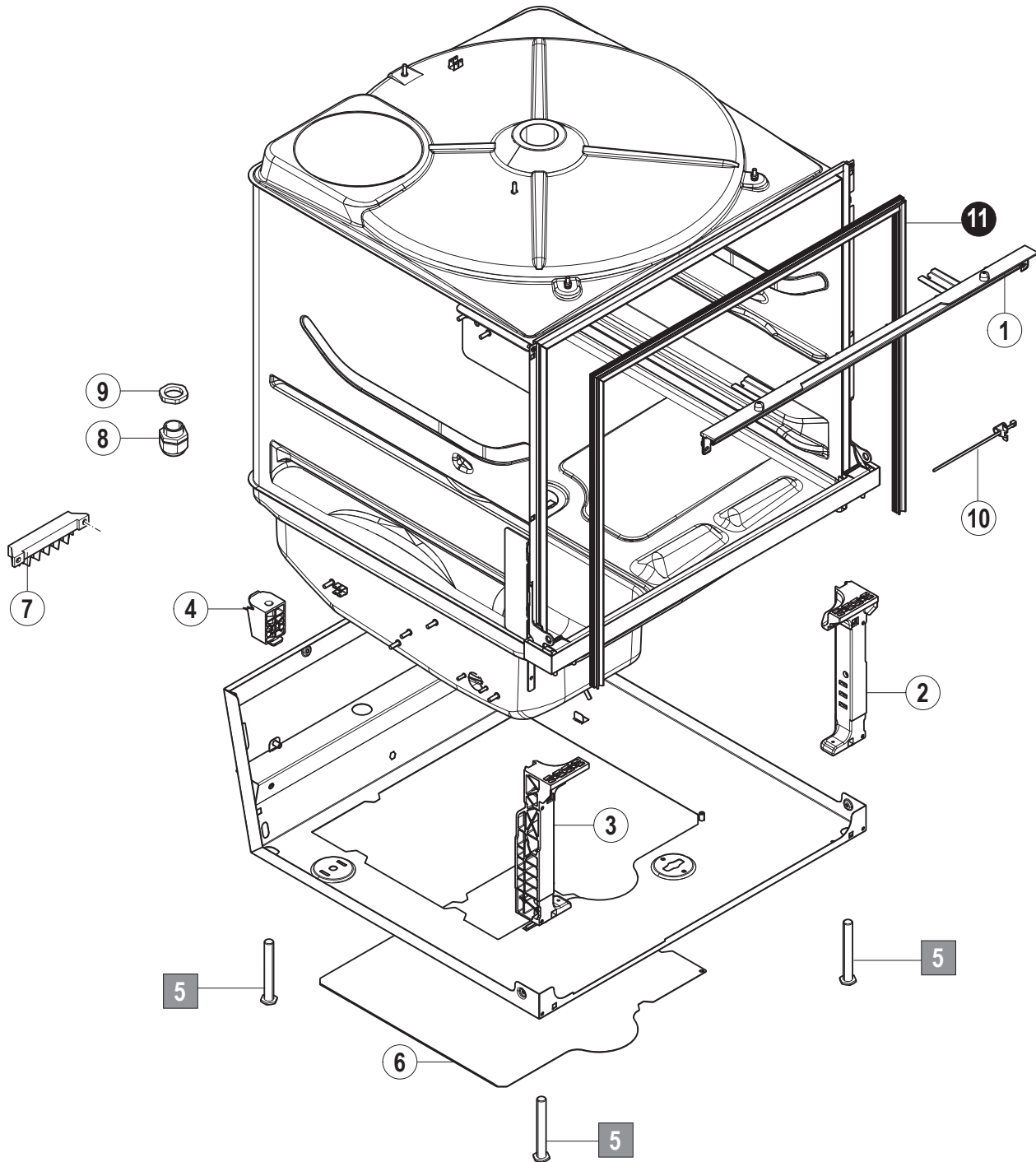
As continued product improvement is a policy of HOBART, specifications are subject to change without notice.

© HOBART GmbH, Offenburg 2013

---

Page	Chapter	Contents
<b>4</b>	<b>1.</b>	<b>Housing</b>
<b>6</b>	<b>2.</b>	<b>Panels</b>
<b>8</b>	<b>3.</b>	<b>Fill, Drain, and Booster</b>
<b>10</b>	<b>4.</b>	<b>Fill, Drain, and Booster</b>
<b>12</b>	<b>5.</b>	<b>Wash and Drain System</b>
<b>14</b>	<b>6.</b>	<b>Wash and Rinse System</b>
<b>16</b>	<b>7.</b>	<b>Tank and Filter System</b>
<b>18</b>	<b>8.</b>	<b>Detergent/Rinse aid</b>
<b>20</b>	<b>9.</b>	<b>Control</b>

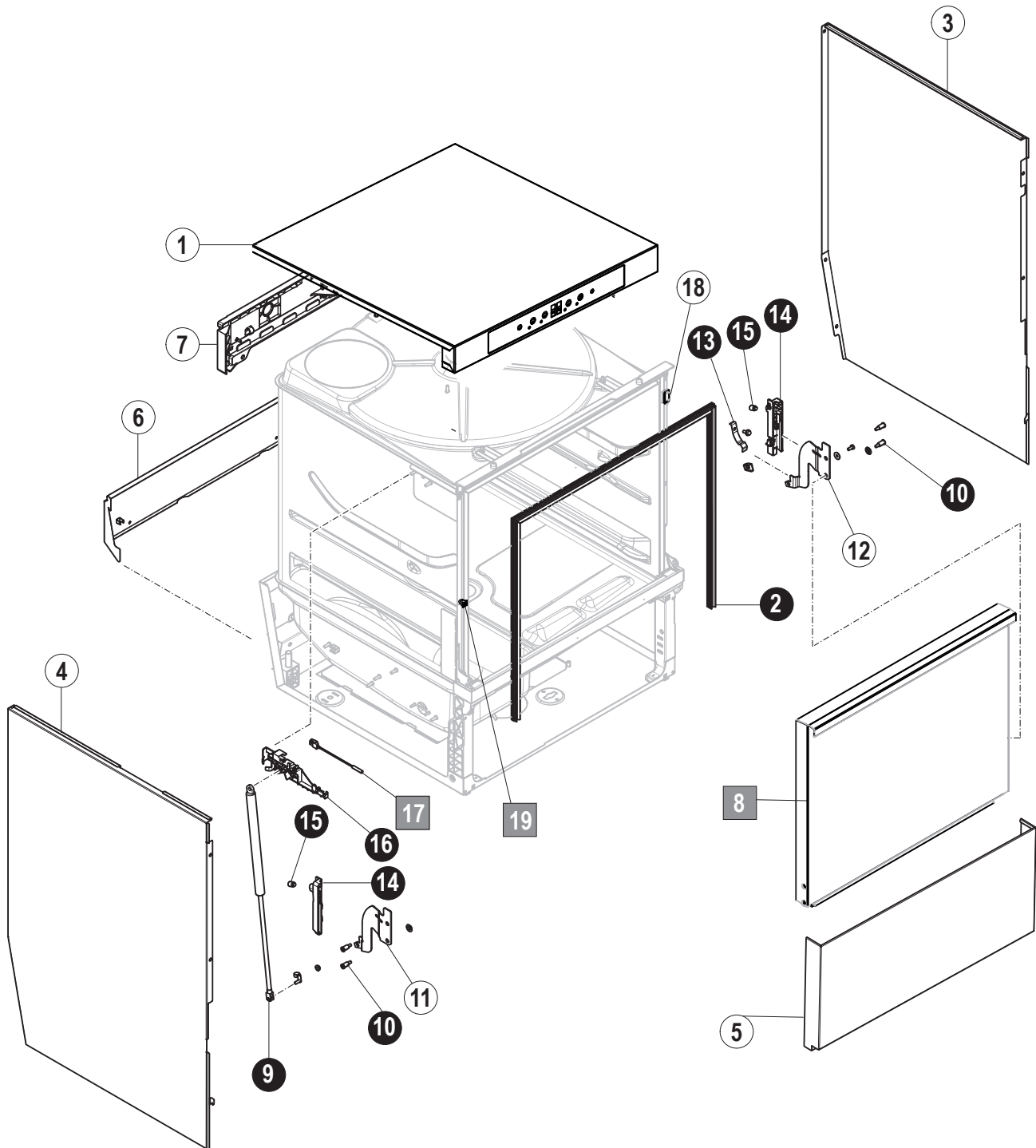
### 1. Housing



FX 01

Pos. no.	Part no.	Part name	Remarks
1	01-515066-1	Connection element tank	
2	01-515080-1	Base frame front leg, right	
3	01-515081-1	Base frame front leg, left	
4	01-515216-1	Base frame foot rear	
5	01-515197-1	Adjustable foot	Recommended spare part
6	01-515213-11	Base plate	
7	774055-1	Connection block	
8	695661-4	Cable fitting	
9	695664-4	Counter nut	
10	691923-1	Fixing strap	
11	01-515367-1	Door sealing	Wearing part

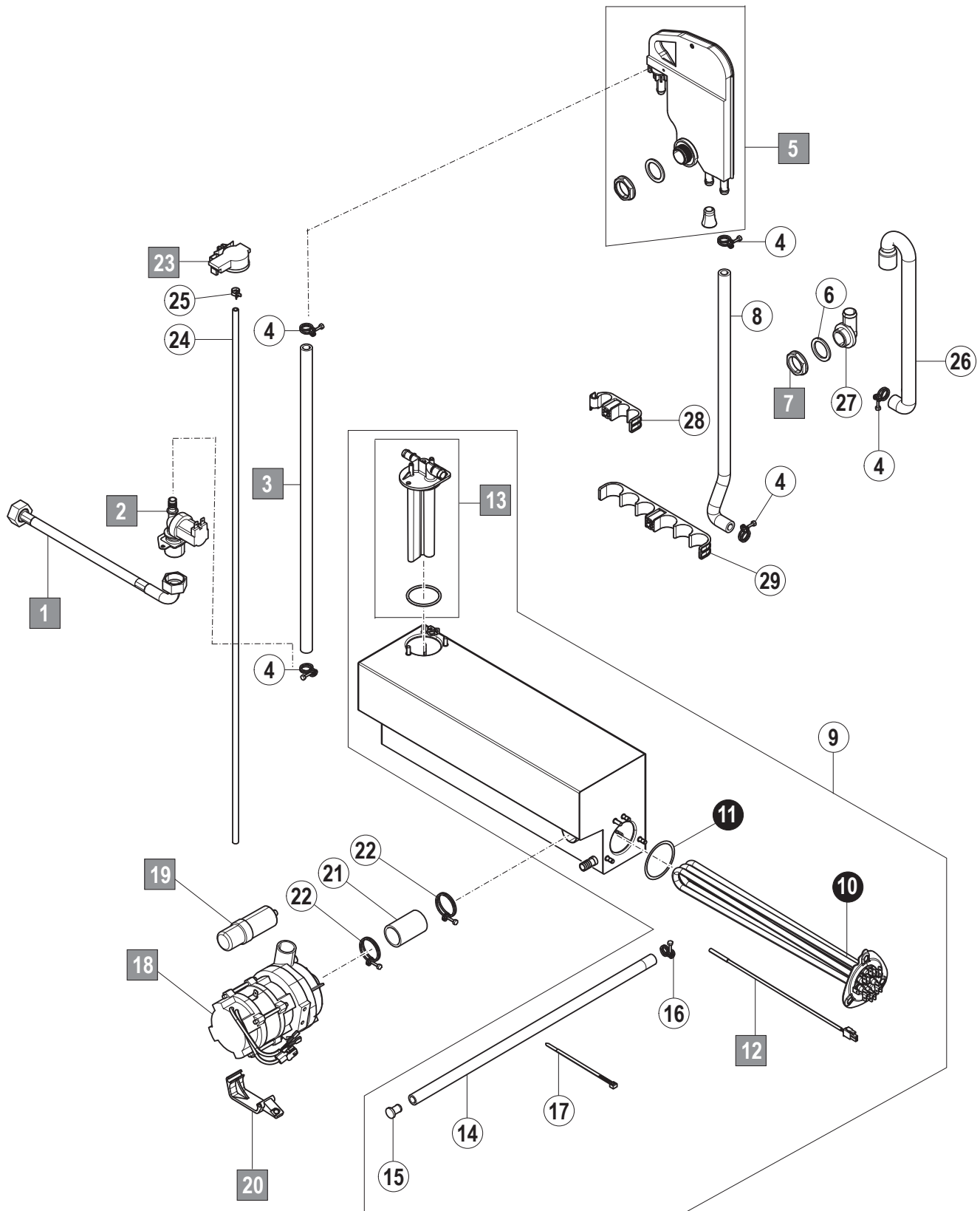
## 2. Panels



FX 02

Pos. no.	Part no.	Part name	Remarks
1	01-515139-3	Covering lid	
2	01-515367-1	Door sealing	Wearing part
3	01-515138-1	Side covering, right	
4	01-515138-2	Side covering, left	
5	01-515069-1	Frontal covering	
6	01-515275-1	Back covering	
7	01-515068-1	Bracket covering	
8	01-515012-3	Door	Recommended spare part
9	01-515330-1	Spare parts kit gas spring	Wearing part
10	01-515326-1	Spare parts kit door bolt	Wearing part
11	01-515027-1	Hinge bow, left	
12	01-515027-2	Hinge bow, right	
13	01-515327-1	Spare parts kit flat spring	Wearing part
14	01-515328-1	Spare parts kit guidance rail	Wearing part
15	01-515329-1	Spare parts kit rubber damper	Wearing part
16	01-515254-1	Bracket gas spring	Wearing part
17	01-515276-1	Reed switch	Recommended spare part
18	01-515403-1	Plug	
19	01-775460-1	Clip nut	Recommended spare part

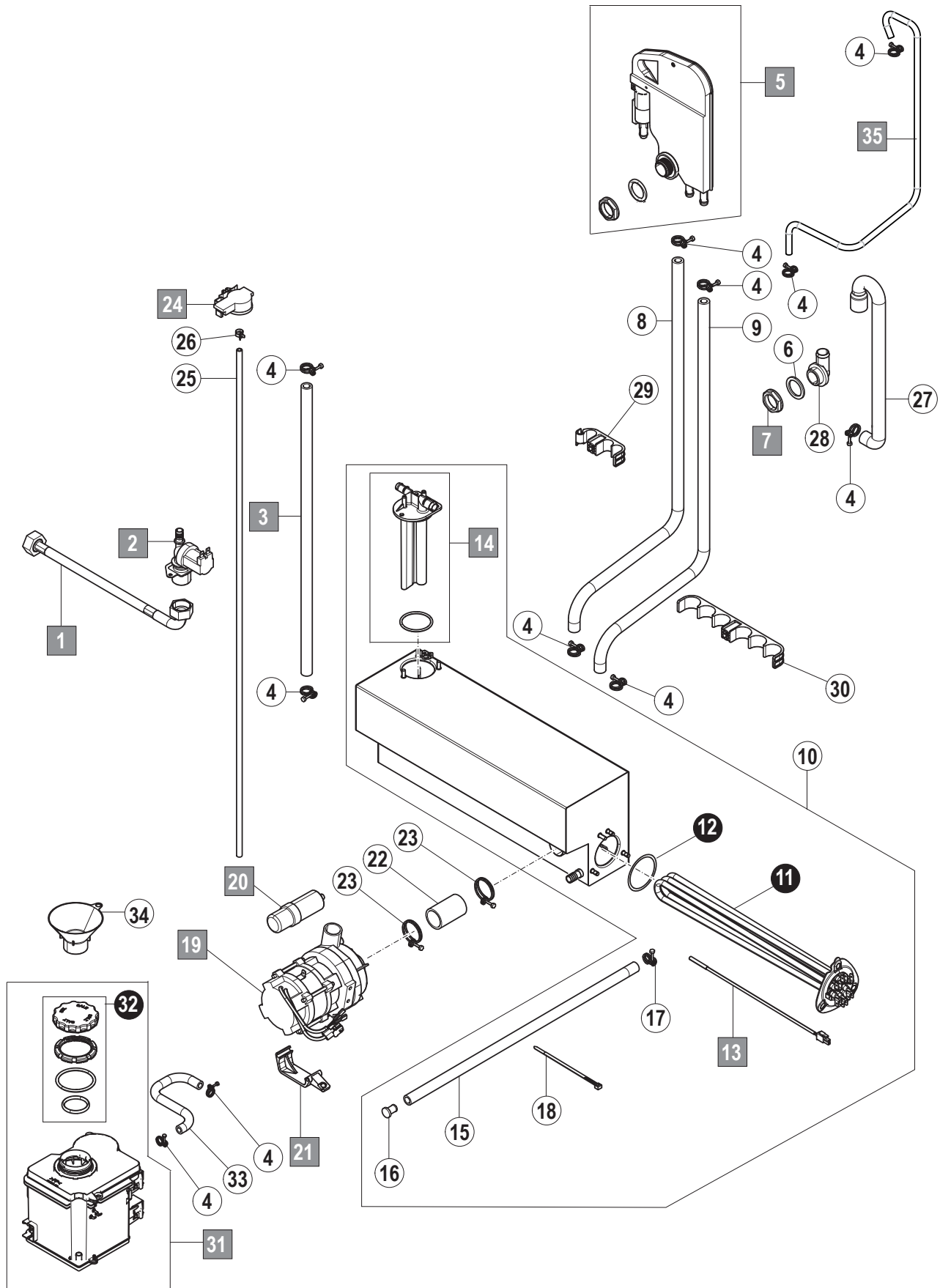
### 3. Fill, Drain, and Booster



FX 03

Pos. no.	Part no.	Part name	Remarks
1	01-240316-1	Water supply hose	Recommended spare part
2	883658-1	Filling valve	Recommended spare part
3	01-246371-4	Hose	Recommended spare part
4	323945-18	Hose clip	
5	01-515331-1	Spare parts kit waterbreak	Recommended spare part
6	775305-1	Sealing	
7	324384	Nut	Recommended spare part
8	01-515207-1	Hose	
9	01-515141-1	Hot water tank, compl.	
10	01-515258-1	Hot water tank heater	Wearing part
11	01-240135-11	O-ring	Wearing part
12	775612-1	Temperature sensor	Recommended spare part
13	01-515332-1	Spare parts kit hot water tank connection chamber	Recommended spare part
14	774080-1	Hose	
15	774512-1	Plug	
16	323945-15	Hose clip	
17	165128-1	Cable tie	
18	01-515260-1	Rinse pump	Recommended spare part
19	226568-2	Capacitor	Recommended spare part
20	01-515154-1	Bracket rinse pump	Recommended spare part
21	883145-12	Hose	
22	323945-37	Hose clip	
23	775866-202	Pressure transmitter	Recommended spare part
24	324402-1	Hose	
25	01-246214-3	Hose clip	
26	01-515210-1	Hose	
27	324097	Filler piece	
28	01-515198-1	Hose guidance rail	
29	01-515215-1	Hose guidance rail	

### 4. Fill, Drain, and Booster



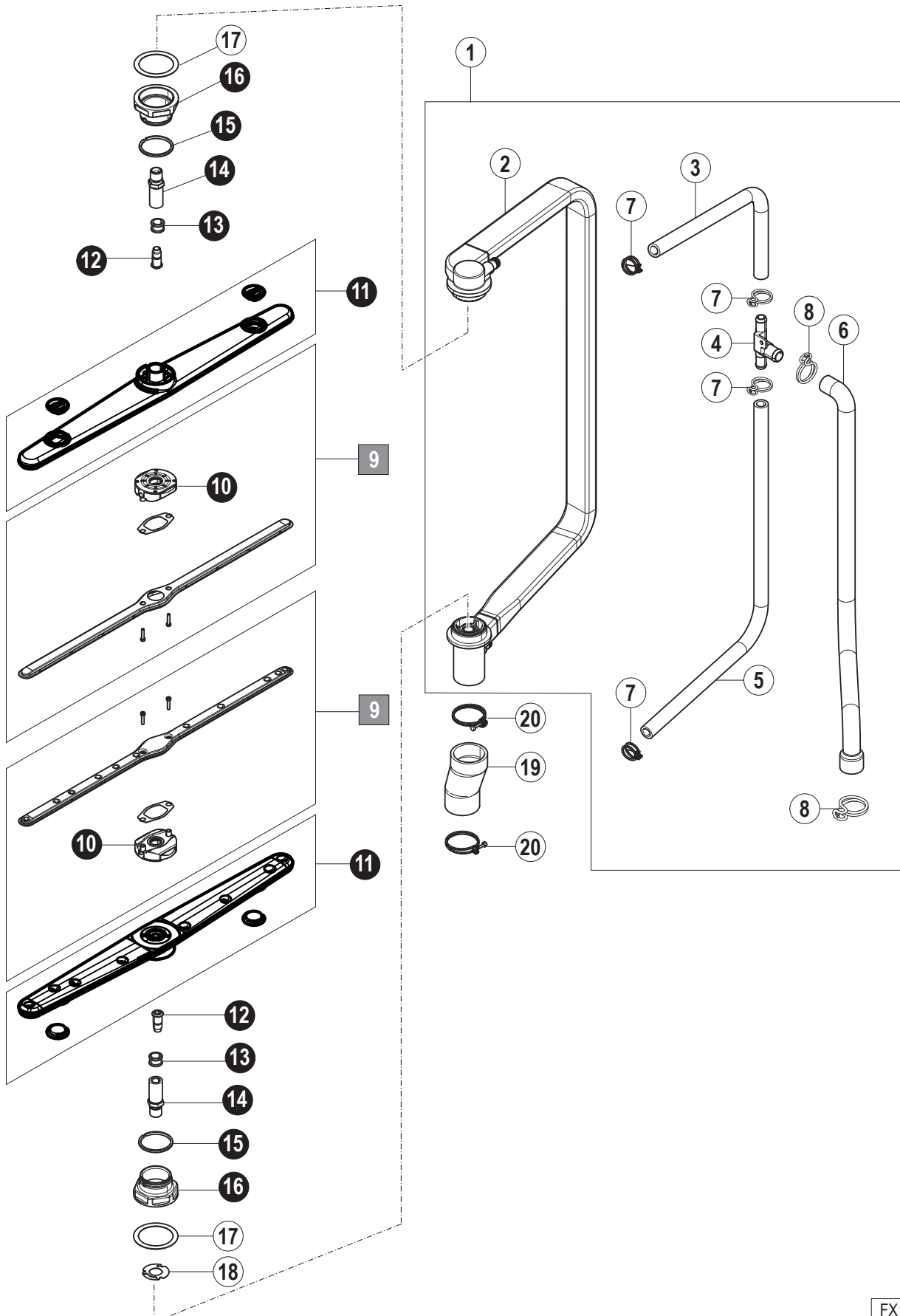
FX 04

Pos. no.	Part no.	Part name	Remarks
1	01-240316-1	Water supply hose	Recommended spare part
2	883658-1	Filling valve	Recommended spare part
3	01-246371-4	Hose	Recommended spare part
4	323945-18	Hose clip	
5	01-515331-2	Sparepart kit waterbreak	Recommended spare part
6	775305-1	Sealing	
7	324384	Nut	Recommended spare part
8	775611-2	Hose	
9	01-515208-1	Hose	
10	01-515141-1	Hot water tank, compl.	
11	01-515258-1	Hot water tank heater	Wearing part
12	01-240135-11	O-ring	Wearing part
13	775612-1	Temperature sensor	Recommended spare part
14	01-515332-1	Hot water tank connection chamber	Recommended spare part
15	774080-1	Hose	
16	774512-1	Plug	
17	323945-15	Hose clip	
18	165128-1	Cable tie	
19	01-515260-1	Rinse pump	Recommended spare part
20	226568-2	Capacitor	Recommended spare part
21	01-515154-1	Bracket rinse pump	Recommended spare part
22	883145-12	Hose	
23	323945-37	Hose clip	
24	775866-202	Pressure transmitter	Recommended spare part
25	324402-1	Hose	
26	01-246214-3	Hose clip	
27	01-515210-1	Hose	
28	324097-1	Filler piece	
29	01-515198-1	Hose guidance rail	
30	01-515215-1	Hose guidance rail	
31	01-515030-1	Softener	Recommended spare part
32	01-515030-50	Spare parts kit softener cover lid	Wearing part
33	01-515209-1	Hose	
34	01-515277-1	Funnel	
35	01-515201-1	Hose	



Pos. no.	Part no.	Part name	Remarks
1	01-515355-1	Wash pump, compl.	Wearing part
2	01-515183-1	Wash pump	Wearing part
3	226568-14	Capacitor	Recommended spare part
4	01-240010-1	Drain pump	Wearing part
5	01-240395-1	Flipper	
6	01-515055-1	Nut, suction	
7	01-240296-1	Supporting ring	
8	01-240178-1	Sealing	
9	01-240186-1	Vibration damper	
10	01-515202-2	Hose	
11	324510-327	Hose clip	
12	01-240142-1	Ventilation valve, compl.	Wearing part
13	775305-1	Sealing	
14	01-240144-1	Nut	
15	775531-1	Blind plug	
16	01-515203-1	Hose	
17	01-246214-1	Hose clip	
18	01-240159-1	Drain connection	
19	883961-2	Drain hose	Wearing part
20	01-240374-1	shaft seal - replacement kit	Wearing part

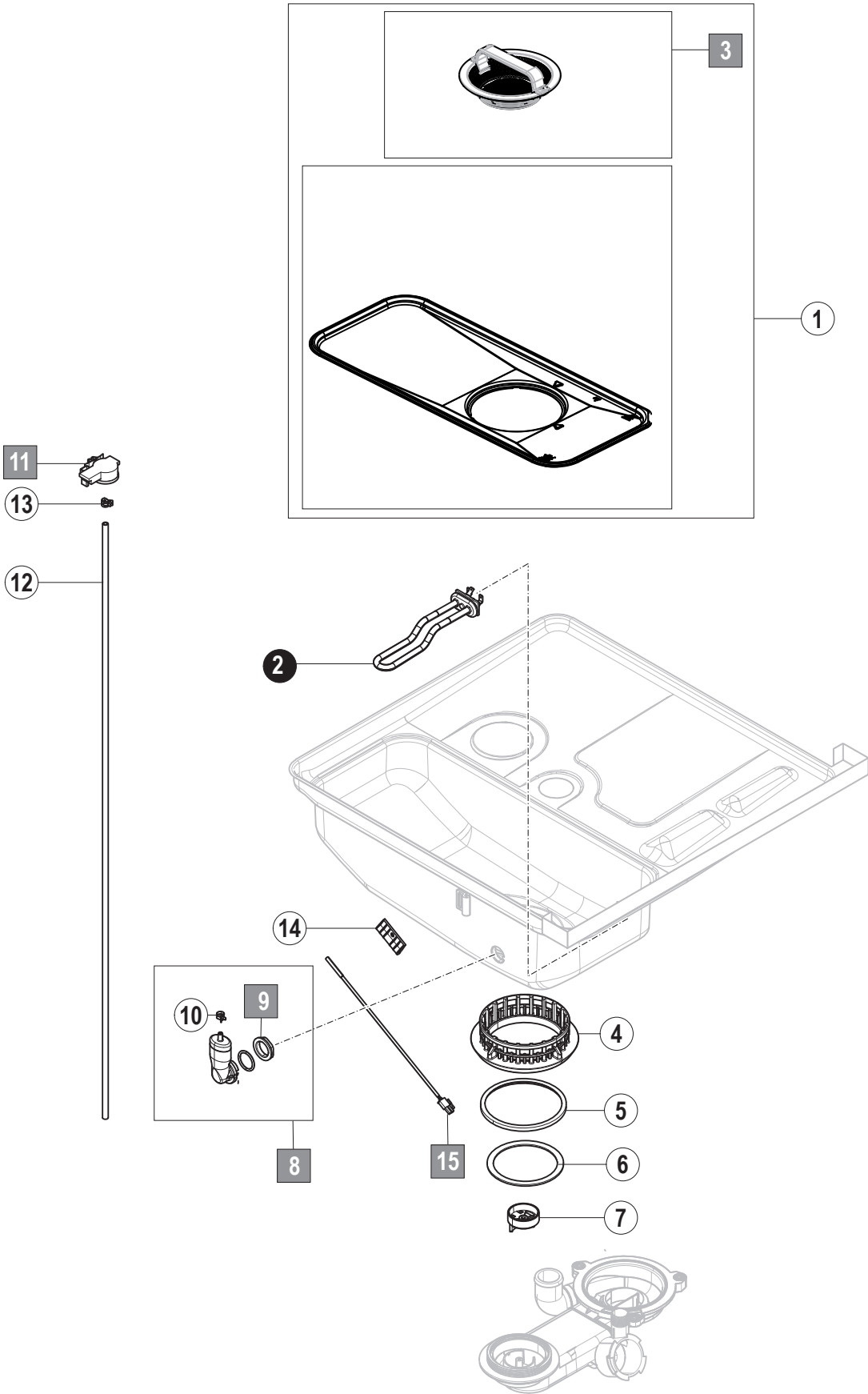
### 6. Wash and Rinse System



FX 06

Pos. no.	Part no.	Part name	Remarks
1	01-515212-1	Riser, compl.	
2	01-515160-1	Riser	
3	01-515205-1	Hose	
4	324071	T-piece	
5	01-515206-1	Hose	
6	01-515204-1	Hose	
7	324510-202	Hose clip	
8	01-324510-327	Hose clip	
9	01-515155-1	Rinse arm, compl.	Recommended spare part
10	01-515333-1	Spare parts kit clip-in	Wearing part
11	01-515111-1	Wash arm, compl.	Wearing part
12	01-515172-2	Screw rinse system	Wearing part
13	01-515088-1	Slide bearings	Wearing part
14	01-515171-1	Axle	Wearing part
15	01-515356-1	Slide ring	Wearing part
16	01-515112-1	Separating nut	Wearing part
17	172986-19	Sealing	
18	01-240016-1	Orifice plate	
19	01-240164-1	Hose	
20	323945-49	Hose clip	

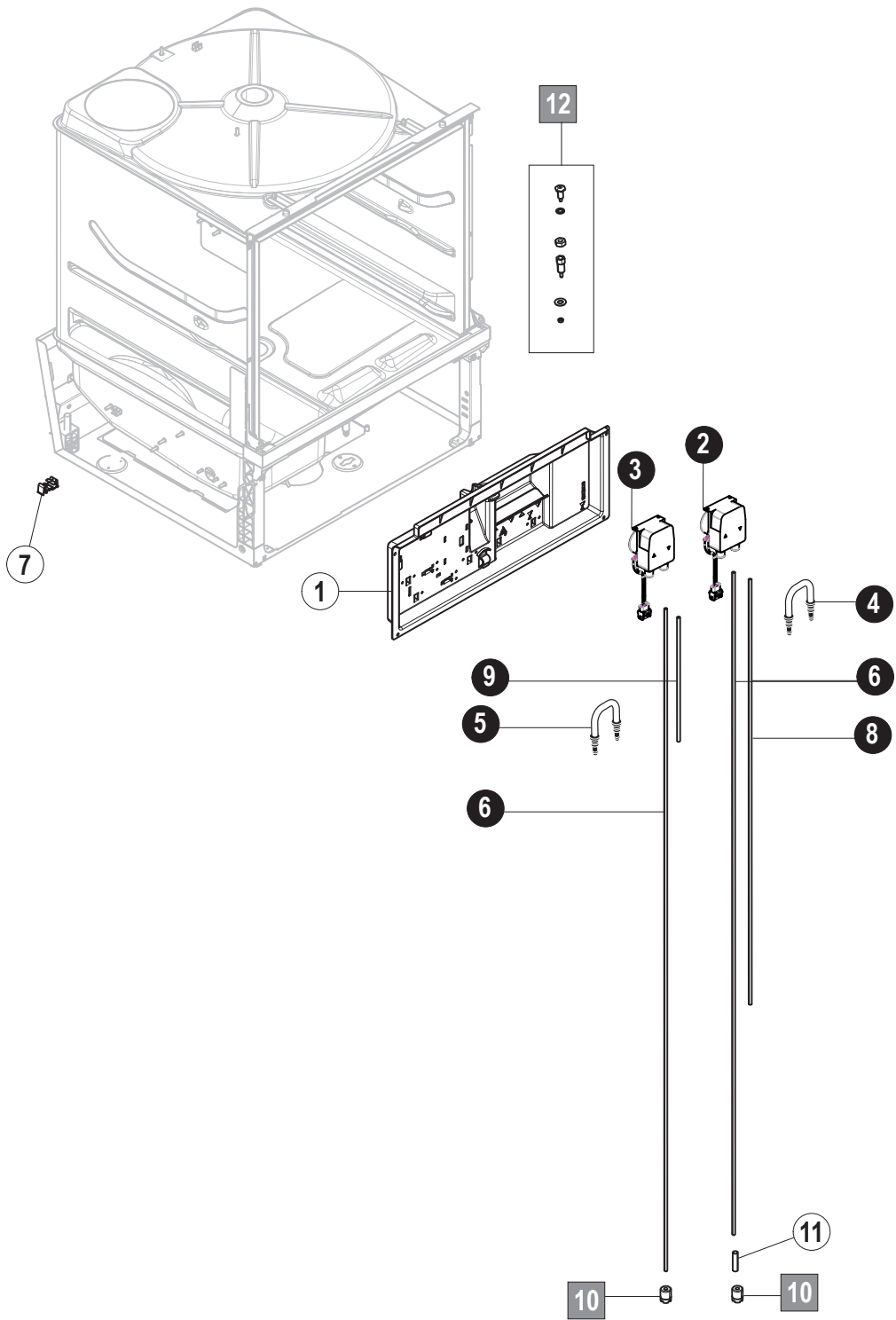
### 7. Tank and Filter System



FX 07

Pos. no.	Part no.	Part name	Remarks
1	01-515016-3	strainer system	
2	01-240247-1	Immersion heater	Wearing part
3	01-515133-2	Strainer basket, compl.	Recommended spare part
4	01-515055-1	Nut, suction	
5	01-240296-1	Supporting ring	
6	01-240178-1	Sealing	
7	01-240395-1	Flipper	
8	01-515334-1	Air chamber, replacement kit	Recommended spare part
9	324384	Nut	Recommended spare part
10	01-246214-3	Hose clip	
11	775866-202	Pressure transmitter	Recommended spare part
12	324402-7	Hose	
13	01-246214-3	Hose clip	
14	01-297719-1	Bracket temperature sensor	
15	775612-1	Temperature sensor	Recommended spare part

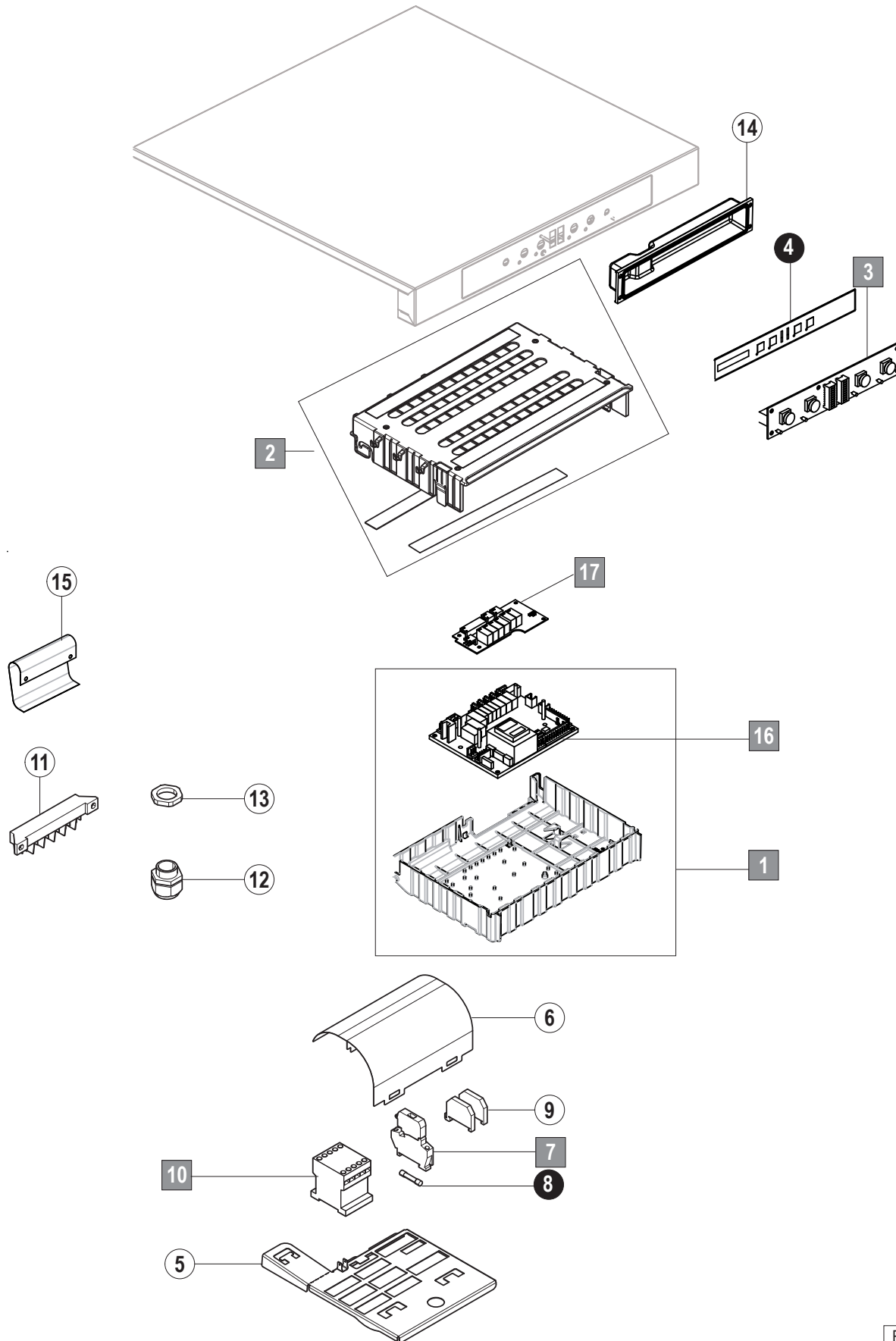
8. Detergent/Rinse aid



FX 08

Pos. no.	Part no.	Part name	Remarks
1	01-515295-1	Electrical cover	
2	01-515269-6	Dosing unit rinse aid	Wearing part
3	01-515269-2	Dosing unit detergent	Wearing part
4	775608-3	Spare parts kit peristaltic hose rinse aid	Wearing part
5	775608-2	Spare parts kit peristaltic hose detergent	Wearing part
6	01-246301-1	Suction hose	Wearing part
7	01-515242-1	Hose guidance rail	
8	01-246301-18	Pressure hose rinse aid	Wearing part
9	01-246301-7	Pressure hose detergent	Wearing part
10	775239-1	Suction piece	Recommended spare part
11	01-246210-1	Hose shell, blue	
12	883676-2	Spare parts kit dosing nipple	Recommended spare part

## 9. Control



FX 10

Pos. no.	Part no.	Part name	Remarks
1	01-515407-1	Sparepart kit control system	Recommended spare part
2	01-515252-1	Sparepart kit outer casing	Recommended spare part
3	897560-2	Operating and display unit	Recommended spare part
4	01-515341-1	film keypad	Wearing part
5	01-515274-1	Mounting plate, contactor	
6	01-515294-1	Protective sheet	
7	775548-1	Fuse clip and disconnect terminal	Recommended spare part
8	775570-1	Fuse	Wearing part
9	323981-1	End clamp	
10	695521-62	Contactor	Recommended spare part
11	774055-1	Connection block	
12	695661-4	Cable fitting	
13	695664-4	Counter nut	
14	01-515409-1	Operation unit cover	
15	01-240283-2	Cover foil	
16	897545-1	Control PCB	Recommended spare part
17	897546-2	Extension board (softener versions only)	Recommended spare part



FOODSERVICE EQUIPMENT SPARES LTD

UNIT 4 SANDBROOK PARK, SANDBROOK WAY, ROCHDALE, OL11 1RY

01706 353 633

SALES@FOODSERVICESPARES.COM



WWW.FOODSERVICESPARES.COM