



TECHNICAL DIAGRAMS

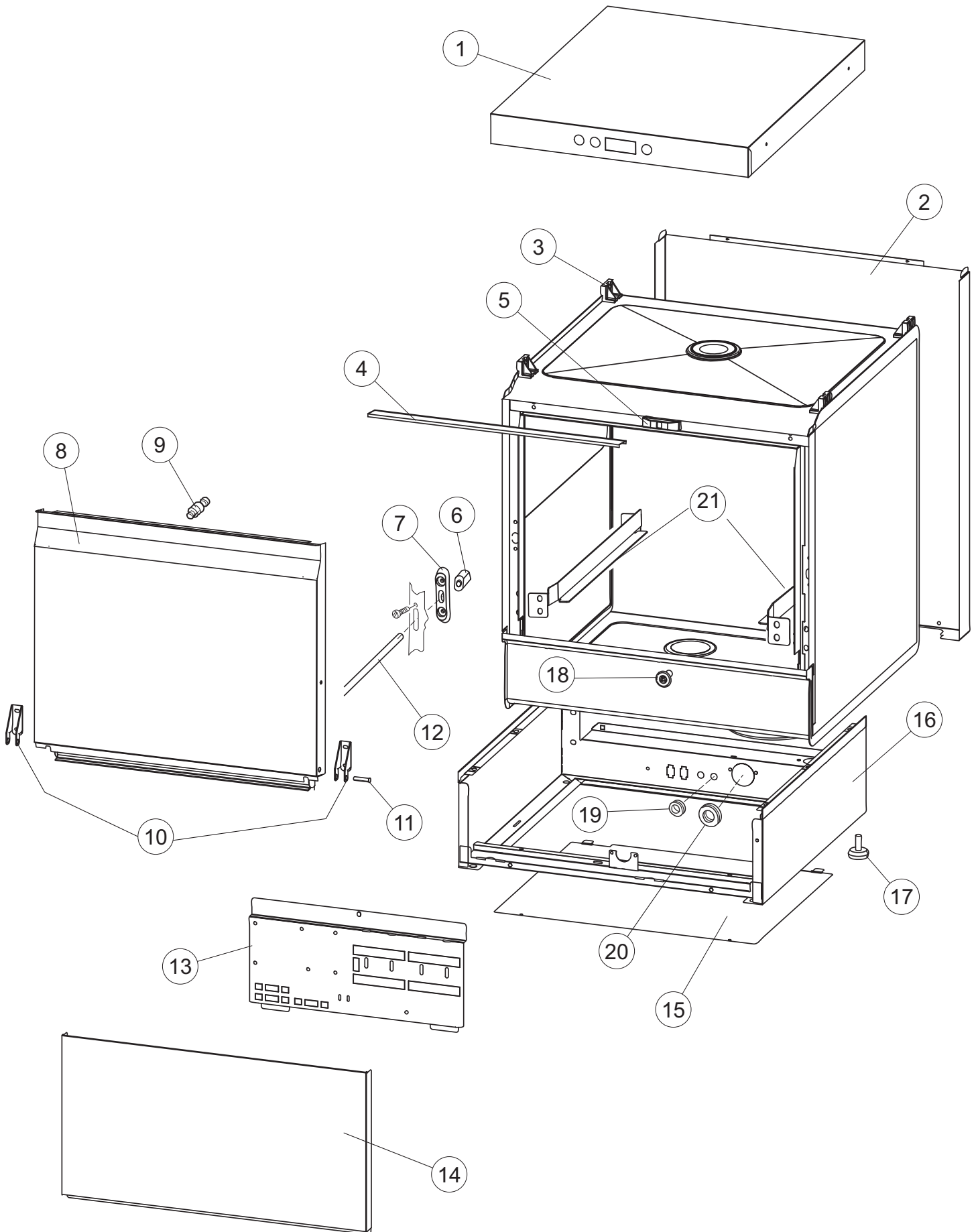


Amika 51XL

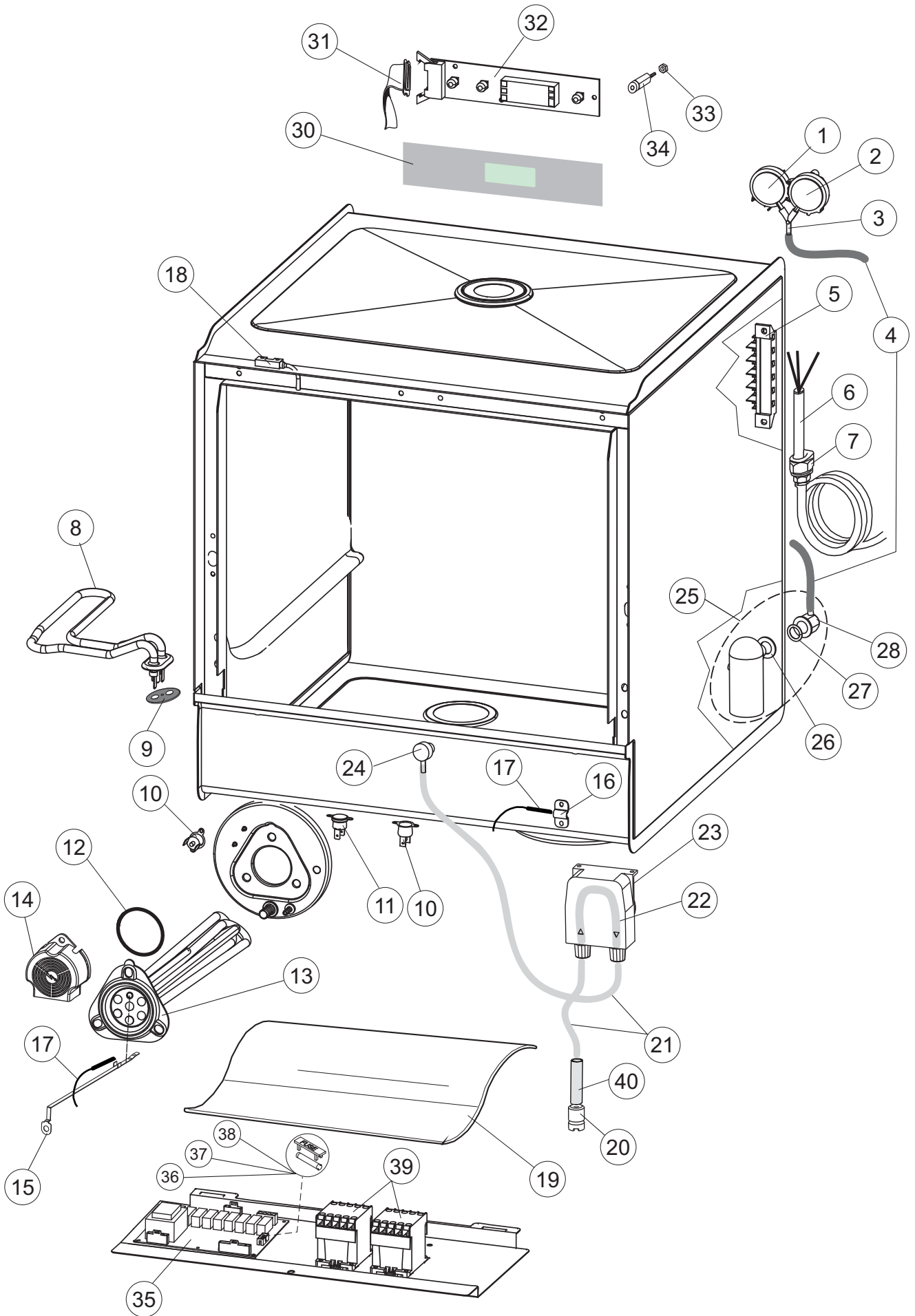
01706 353 633

WWW.FOODSERVICESPARES.COM

1

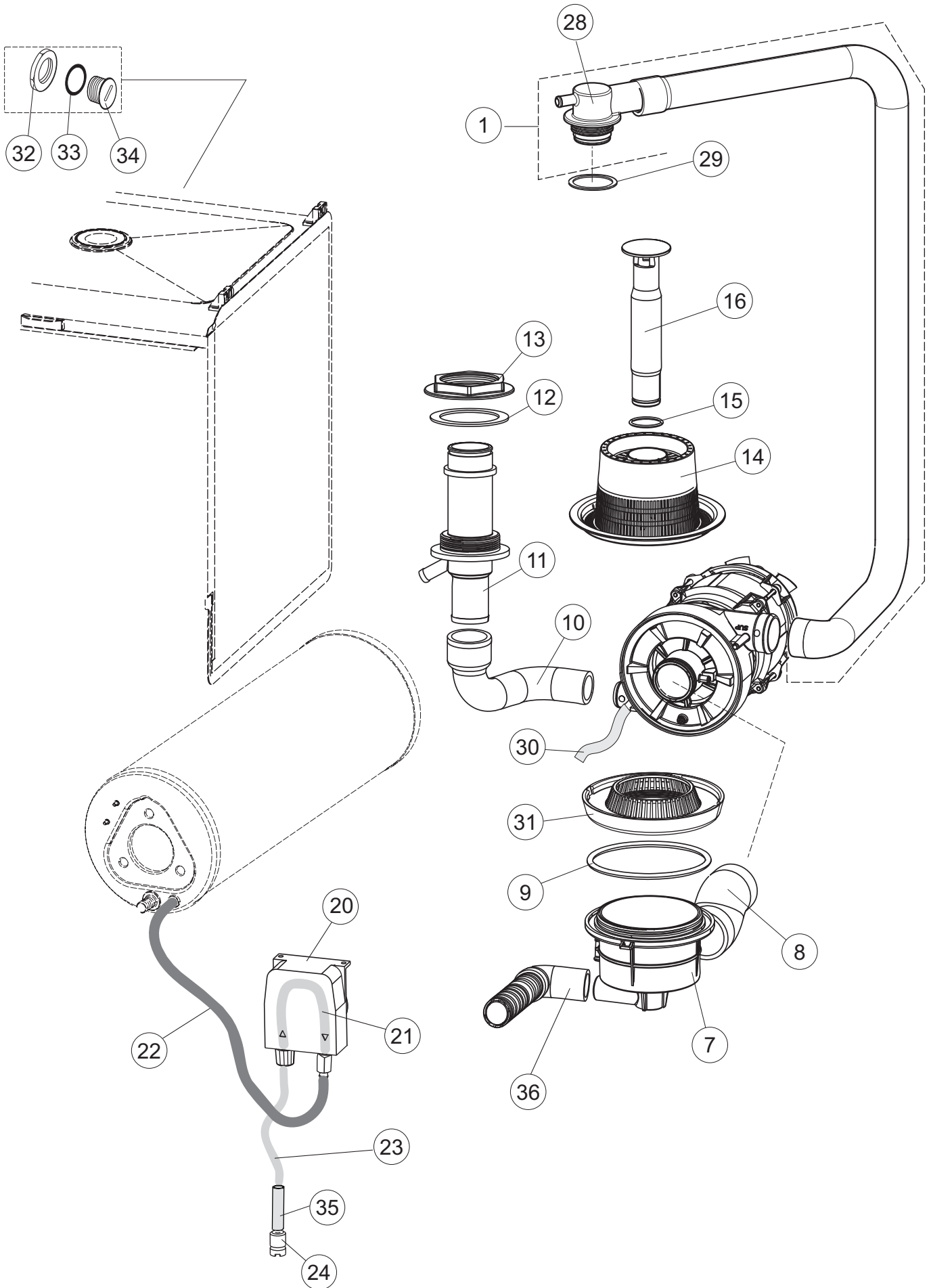


Page	Ref	Part Code	Description
1	1	MH104532	TOP PANEL
1	2	MH104513	REAR PANEL
1	3	MH104514	BRACKET – TOP PANEL
1	4	MH100467	GASKET for DOOR
1	5	MH100463	DOOR CATCH – INNER
1	6	MH100472	STOP for DOOR GUIDE
1	7	MH100471	STAY GUIDE for DOOR
1	8	MH104515	DOOR
1	9	MH101429	LOCKING PIN
1	10	MH100469	HINGE for DOOR
1	11	MH100468	HINGE PIN
1	12	MH100470	DOOR STAY
1	13	MH104516	BRACKET
1	14	MH104517	FRONT PANEL – LOWER
1	15	MH104518	MACHINE BASE PANEL
1	16	MH104519	BOTTOM CHASSIS
1	17	MH100459	MACHINE FOOT
1	18	MH100461	PLUG for WASH TANK
1	19	MH100347	CABLE GLAND
1	20	MH100457	CABLE GROMMET
1	21	MH100462	BASKET GUIDE - PAIR

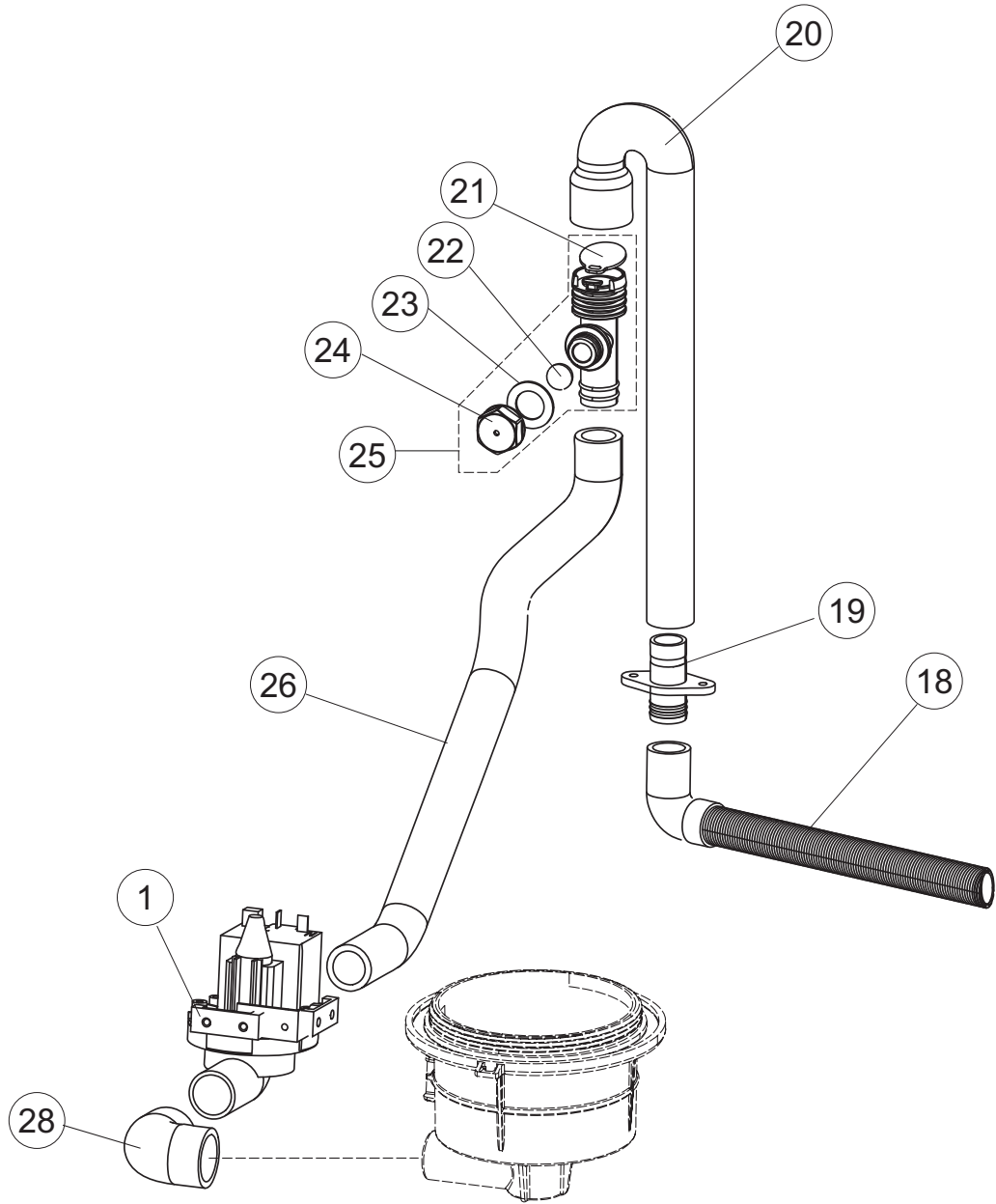


Page	Ref	Part Code	Description
2	1	MH100352	PRESSURE SWITCH 35/17
2	2	MH104537	PRESSURE SWITCH 90/60 (optional – drain pump)
2	3	MH100475	'Y' CONNECTOR for PRESSURE SWITCH
2	4	MH104386	TUBE 6x4mm PVC (10Mtr pack)
2	5	MH104263	TERMINAL BLOCK 6 POLE
2	7	MH100481	CABLE STOP – BLACK
2	8	MH104431	ELEMENT 2.1Kw c/w GASKET – WASH TANK
2	9	MH100370	GASKET L=46mm W=22mm – WASH TANK
2	10	MH100368	SAFETY THERMOSTAT 95deg C – WASH TANK
2	11	MH103821	CONTACT THERMOSTAT 90deg C
2	12	MH100599	GASKET for RINSE ELEMENT
2	13	MH100598	ELEMENT 6.5Kw 240V – BOILER
2	14	MH103639	ELEMENT COVER
2	15	MH103726	PROBE HOLDER – THERMOSTAT
2	16	MH100679	FIXING PLATE – PROBE
2	17	MH103715	TEMPERATURE PROBE – WASH / RINSE CYCLE
2	18	MH104286	DOOR SWITCH
2	19	MH104524	PLASTIC COVER for ELECTRICS 410 x 245
2	20	MH103645	BOTTLE WEIGHT & FILTER
2	21	MH104265	TUBE 4x6mm – CLEAR (per Mtr.)
2	22	MH103789	INTERNAL DETERGENT SQUEEZE TUBE (MICRODOS)
2	22	MH104642	INTERNAL DETERGENT SQUEEZE TUBE (SEKO)
2	23	MH104387	DETERGENT PUMP (MICRODOS)
2	23	MH103979	DETERGENT PUMP (MICRODOS - CURRENT)
2	24	MH104266	DETERGENT ELBOW – METAL M12
2	25	MH104538	AIR BOX ASSEMBLY
2	26	MH100374	O-RING for AIR BOX CONNECTION
2	27	MH100375	O-RING
2	28	MH100376	ELBOW CONNECTON – AIR BOX
2	30	MH104544	FASCIA
2	31	MH103900	RIBBON CABLE
2	32	MH104545	DISPLAY PCB
2	33	MH101355	NUT – M3 WHITE PLASTIC
2	34	MH101059	PCB LOCATION SPACER
2	35	MH104546	MAIN PCB BOARD
2	36	MH100282	FUSE 100MA 5x20T
2	37	MH100281	FUSE 2A 5x20T
2	38	MH100580	FUSE 4A 50x20
2	39	MH104502	CONTACTOR 230V 50-60Hz
2	40	MH100363	TUBING BOTTLE SUPPORT

3



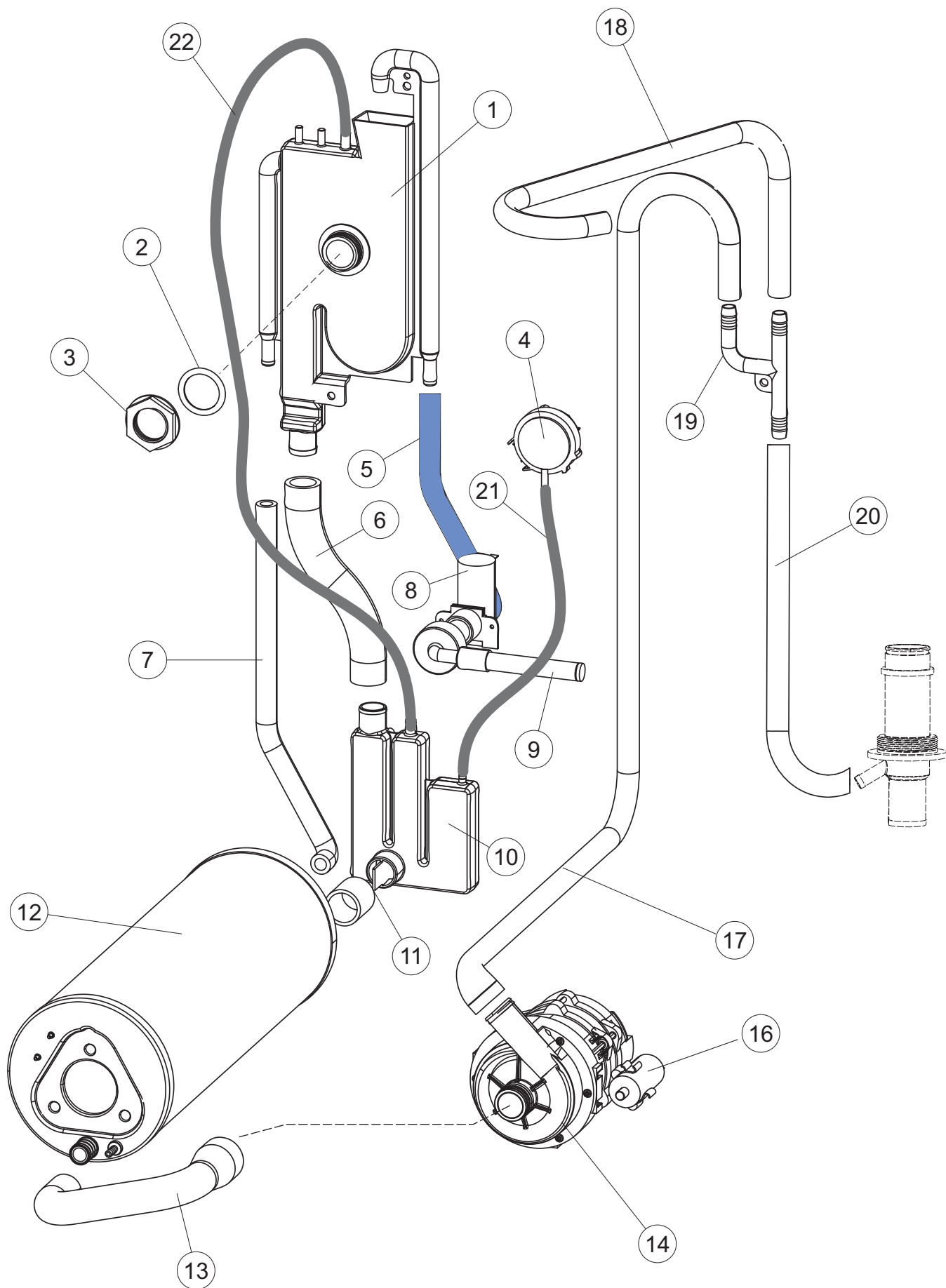
Page	Ref	Part Code	Description
3	1	MH104523	UPPER WASH MANIFOLD COMPLETE
3	7	MH104522	WASH SUMP
3	8	MH103926	ASPIRATION HOSE
3	9	MH103919	O-RING
3	10	MH103930	RUBBER INLET HOSE
3	11	MH103931	BOTTOM WASH / RINSE SUPPORT COLUMN
3	12	MH103942	GASKET - WASH / RINSE SUPPORT COLUMN
3	13	MH103941	RING NUT - WASH / RINSE SUPPORT COLUMN
3	14	MH103915	ASPIRATION FILTER COMPLETE
3	15	MH104029	O-RING for DRAIN PLUG
3	16	MH103914	DRAIN PLUG
3	20	MH103986	PERISTALTIC RINSE AID PUMP (not timed)
3	21	MH103835	INTERNAL RINSE AID SQUEEZE TUBE 6x10mm
3	22	MH104388	FEED TUBE – RINSE AID BOILER 5x11mm
3	23	MH103969	TUBE 4x6mm PVC (per Mtr)
3	24	MH104325	BOTTLE WEIGHT & FILTER
3	28	MH104525	UPPER WASH BOSS
3	29	MH104440	GASKET
3	30	MH103997	TUBE 6x9mm PVC (per Mtr)
3	31	MH103918	RING NUT BODY – INLET & DRAIN
3	32	MH104023	NUT
3	33	MH100046	O-RING 24x2.5mm
3	34	MH104024	FITTING
3	35	MH100363	TUBING BOTTLE SUPPORT
3	36	MH103927	DRAIN HOSE



Drain pump

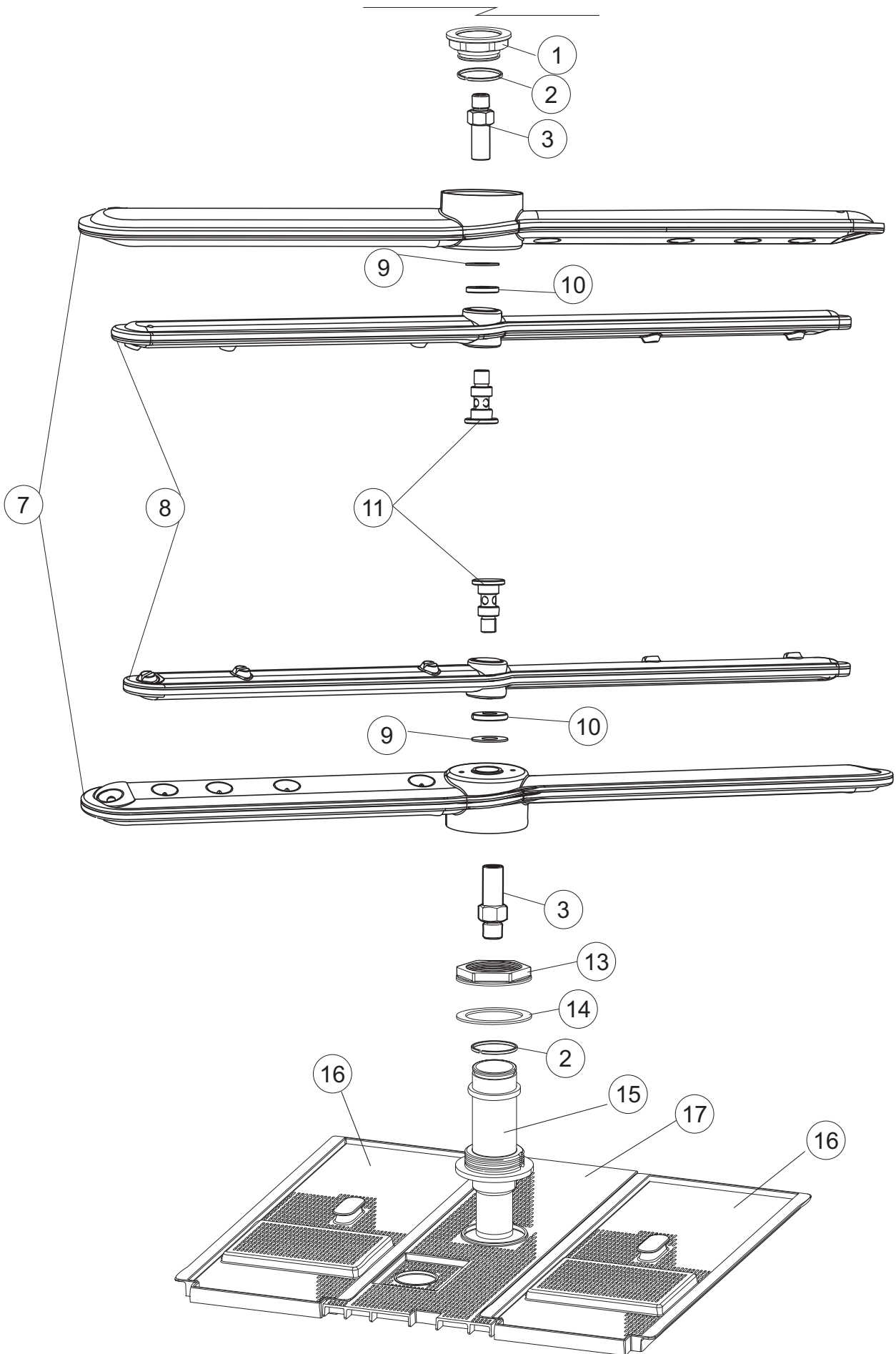
Page	Ref	Part Code	Description
4	1	MH104531	DRAIN PUMP 50Hz
4	18	MH100355	DRAIN HOSE L=2450mm D=22mm
4	19	MH100511	CONNECTOR for DRAIN PUMP HOSE
4	20	MH104526	DRAIN HOSE – BREATHER to FITTING
4	21	MH103934	MEMBRANE
4	22	MH103932	VALVE SPHERE
4	23	MH103933	GASKET – RUBBER
4	24	MH104478	CAP for ANTI SYPHON VALVE
4	25	MH104472	ANTI SYPHON VALVE
4	26	MH104527	DRAIN HOSE – BREATHER to PUMP
4	28	MH104528	DRAIN HOSE – PUMP to SUMP

5

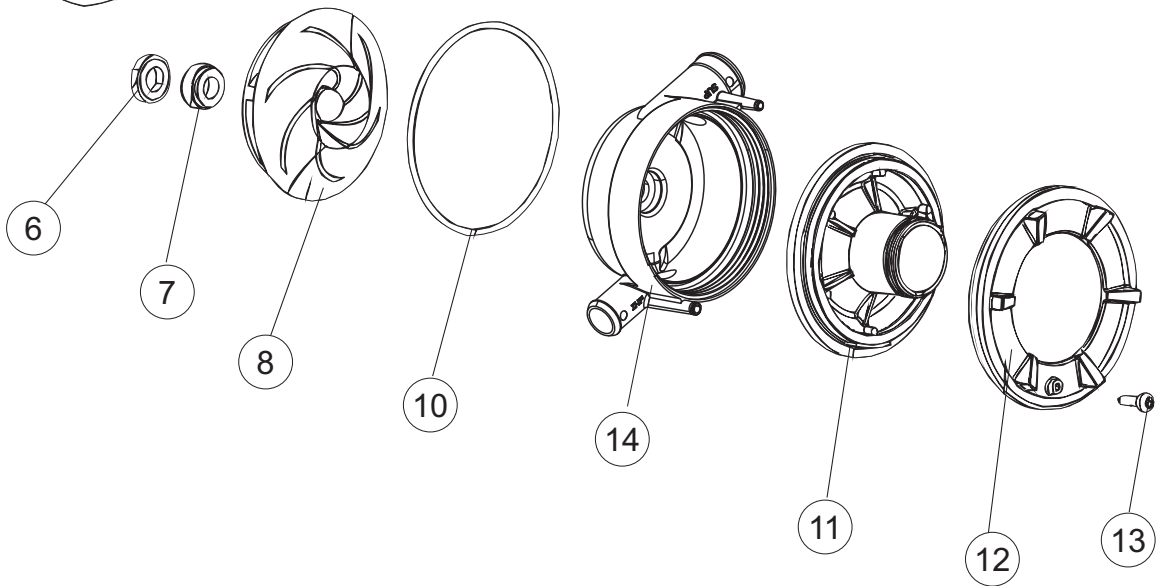
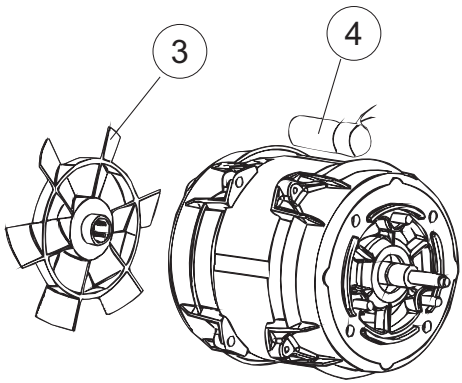
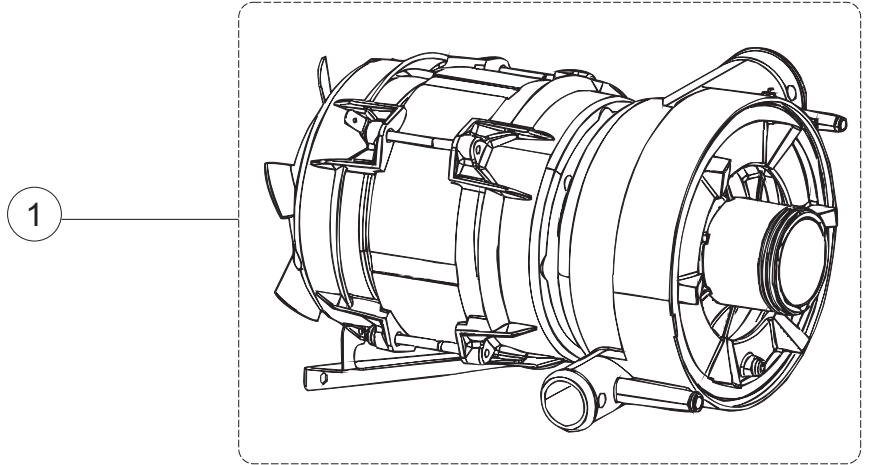


Page	Ref	Part Code	Description
5	1	MH103998	BREAK TANK - PLASTIC
5	2	MH103996	RUBBER GASKET
5	3	MH103995	NUT – PLASTIC
5	4	MH103987	PRESSURE SWITCH 35/22
5	5	MH103921	TUBE WRAS APPROVED (per Mtr)
5	6	MH104548	FILL TUBE
5	7	MH104549	BOILER EXPANSION TUBE
5	8	MH103662	SOLENOID VALVE SINGLE STRAIGHT 11.5mm
5	9	MH103733	INLET TUBE ¾”
5	10	MH103990	BOILER PRESSURE CHAMBER
5	11	MH103991	RUBBER HOSE
5	12	MH103983	BOILER
5	13	MH103989	ASPIRATION HOSE
5	14	MH104169	BOOSTER PUMP 230V 200W c/w CAPACITOR
5	16	MH104539	CAPACITOR 4Mf
5	17	MH104550	WASH FEED TUBE
5	18	MH104551	TOP WASH FEED TUBE
5	19	MH100584	CONNECTOR 3 WAY - RINSE
5	21	MH100553	TUBE – SOLENOID TO BREAK TANK
5	21	MH100785	TUBE 4x7mm – PRESSURE SWITCH (per Mtr)
5	22	MH103997	TUBE 6x9mm PVC (per Mtr)

6



Page	Ref	Part Code	Description
6	1	MH104442	RING NUT – WASH / RINSE SUPPORT COLUMN
6	2	MH100087	O-RING
6	3	MH104503	SPINDLE for WASH ARM
6	7	MH104504	WASH ARM COMPLETE
6	8	MH104505	RINSE ARM COMPLETE
6	9	MH103844	GASKET – TEFLON
6	10	MH103846	THUMB NUT
6	11	MH104373	RINSE ARM SPINDLE
6	13	MH103941	RING NUT - WASH / RINSE SUPPORT COLUMN
6	14	MH103942	GASKET - WASH / RINSE SUPPORT COLUMN
6	15	MH103931	BOTTOM RINSE SUPPORT COLUMN
6	16	MH104534	SCRAP TRAY FILTER
6	17	MH104535	SCRAP TRAY FILTER - CENTRE



Page	Ref	Part Code	Description
7	1	MH104536	WASH PUMP
7	3	MH103959	COOLING FAN
7	4	MH102172	CAPACITOR 10Mf
7	6	MH103960	LOCK for SHAFT SEAL
7	7	MH103961	ROTATING SHAFT SEAL
7	8	MH103962	IMPELLER
7	10	MH103963	SEAL for WASH PUMP HOUSING
7	11	MH103964	FRONT PLATE – WASH PUMP
7	12	MH103965	LOCKING RING – FRONT PLATE
7	13	MH103966	SCREW
7	14	MH104483	FRONT COVER – IMPELLER HOUSING



FOODSERVICE EQUIPMENT SPARES LTD

UNIT 4 SANDBROOK PARK, SANDBROOK WAY, ROCHDALE, OL11 1RY

01706 353 633

SALES@FOODSERVICESPARES.COM



WWW.FOODSERVICESPARES.COM