



# TECHNICAL DIAGRAMS



FRYER E401

0170 6 353 633

[WWW.FOODSERVICESPARES.COM](http://WWW.FOODSERVICESPARES.COM)

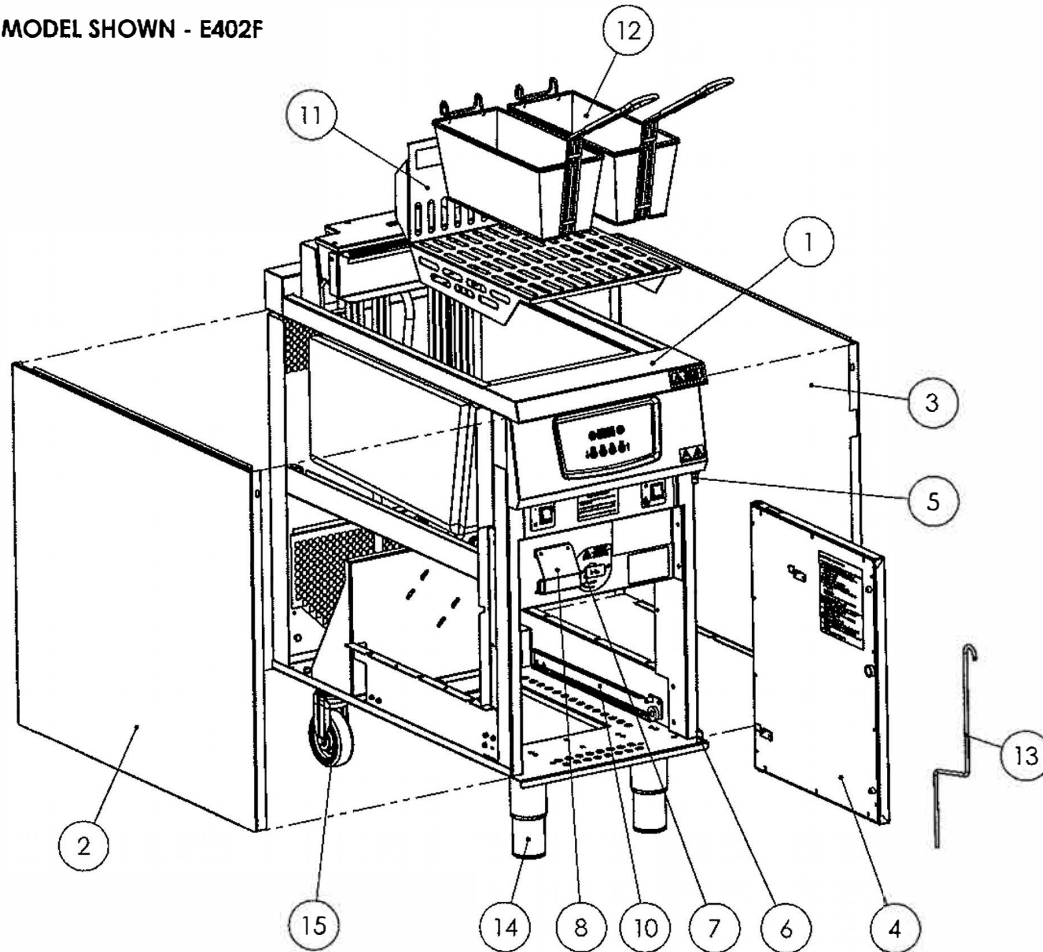
SPARE PARTS DIAGRAM FOR



Fryer

E401/402

MODEL SHOWN - E402F

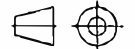


ITEM	DESCRIPTION	SPARES No
	FRYER LID KNOB	530571047
1	HOB / PAN ASSEMBLY C/W DRAIN VALVE	731350003
2	LH OUTER SIDE	731350004
3	RH OUTER SIDE	731350005
4	DOOR ASSEMBLY	731350006
5	TOP DOOR HINGE	536430108
6	BOTTOM DOOR HINGE PIN	536430109
7	DRAIN HANDLE	731350007
8	DRAIN HANDLE FLAP	731350008
9	LH BUCKET RUNNER (NOT SHOWN)	731350009
10	RH BUCKET RUNNER	731350010
11	ELEMENT GUARD	731350011
12	CHIP BASKET	536430126
13	DRAIN PROD / LIFTING TOOL	731350012
14	ADJUSTABLE FEET	731350013
15	CASTORS	731350014

CLEARED FOR PRODUCTION

ISSUE	MOD No	ALTERATION	DRAWN BY	DATE
A	1234/10	PRODUCTION ISSUE	G.SMITH	23/11/10

IF IN DOUBT ASK  
DO NOT SCALE  
FIRST ANGLE PROJECTION



UNLESS OTHERWISE SPECIFIED:  
DIMENSIONS ARE IN MILLIMETERS  
TOLERANCES:  
LINEAR: ±0.5mm  
ANGULAR: ±0.5 DEG

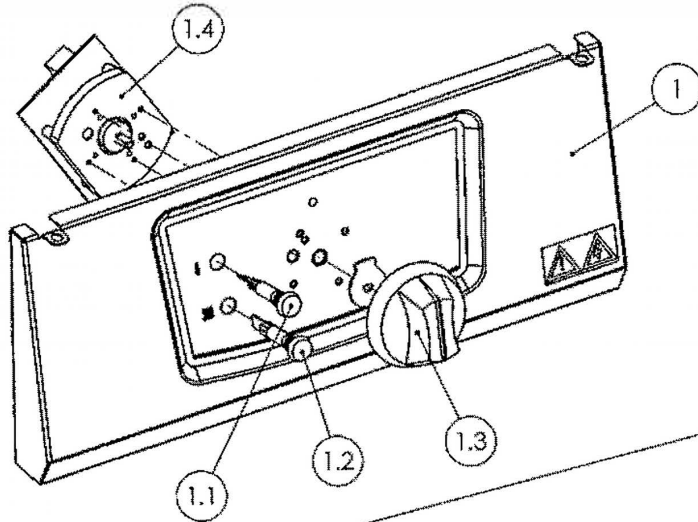
DEBUR AND  
BREAK SHARP EDGES

WEIGHT: 1191329.65g



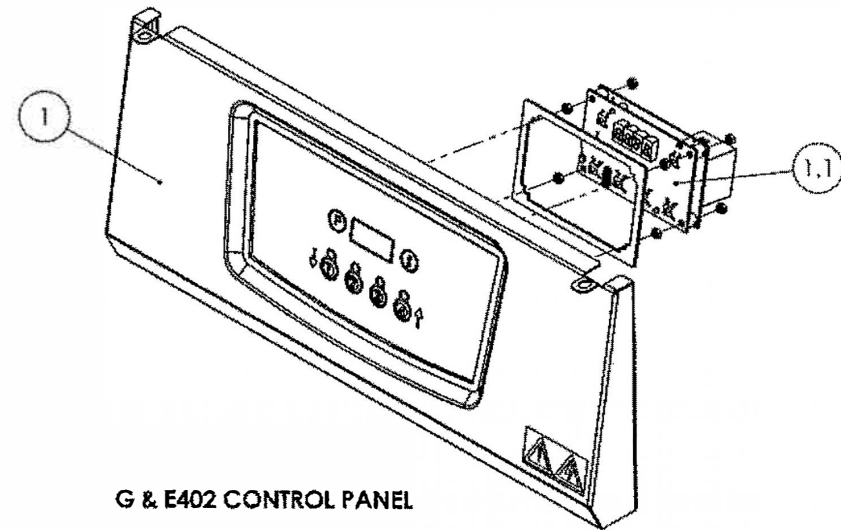
DRAWN: G.SMITH	PRODUCT		<b>E401/402 SINGLE PAN FRYER</b>	
DATE: 23/11/10	TITLE		<b>SPARES - MAIN BODY</b>	
SCALE:	DRAWING NUMBER		ISSUE	
MATL:	<b>AD48018</b>		<b>A</b>	
THICKNESS:	FINISH:		PART No:	
BIN No:				

**G & E401 CONTROL PANEL**



ITEM	DESCRIPTION	SPARES No.
1	CONTROL PANEL ASSEMBLY	731350000
1.1	RED NEON	735010370
1.2	AMBER NEON	735010380
1.3	CONTROL KNOB C/W STOP	731350001
1.4	CONTROLLER	731350002

ITEM	DESCRIPTION	SPARES No.
1	CONTROL PANEL ASSEMBLY	731360000
1.1	CONTROLLER C/W SPACER	731360001



**G & E402 CONTROL PANEL**

**CLEARED FOR PRODUCTION**

ISSUE	MOD No	ALTERATION	DRAWN BY	DATE
A	1234/10	PRODUCTION ISSUE	G.SMITH	22/11/10

IF IN DOUBT ASK  
DO NOT SCALE  
FIRST ANGLE PROJECTION

UNLESS OTHERWISE SPECIFIED:  
DIMENSIONS ARE IN MILLIMETERS  
TOLERANCES:  
LINEAR: ±0.5mm  
ANGULAR: ±0.5 DEG

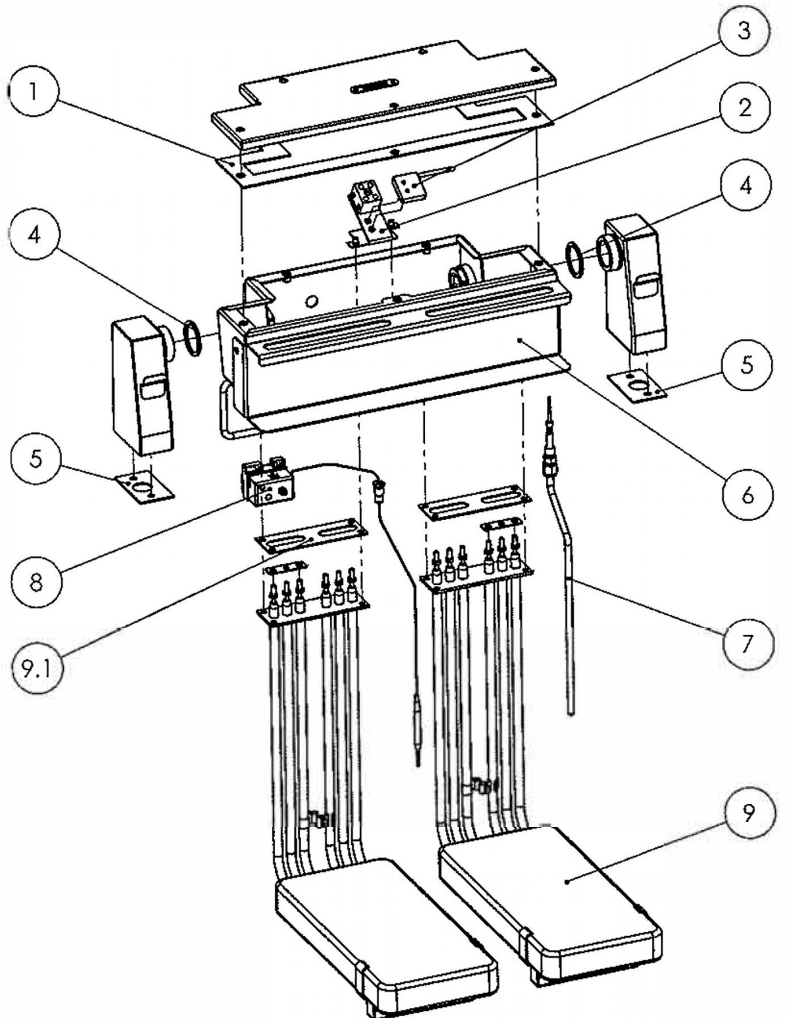
DEBurr AND  
BREAK SHARP EDGES

WEIGHT: 1191315.70g



DRAWN: G.SMITH	PRODUCT	<b>G &amp; E401/402 SINGLE PAN FRYERS</b>	
DATE: 22/11/10	TITLE	<b>SPARES - CONTROL PANELS</b>	
SCALE:	DRAWING NUMBER	AD48017	ISSUE
MATL:	PART No:	A	
THICKNESS:	FINISH:		
BN No:			

NO REPRODUCTION OR PUBLICATION OF THIS DRAWING MAY BE MADE AND NO ARTICLE MAY BE MANUFACTURED OR ASSEMBLED IN ACCORDANCE WITH THIS DRAWING WITHOUT PRIOR WRITTEN CONSENT. THIS PROHIBITION IS A TERM OF ANY CONTRACT RELATING TO THIS DRAWING. RIGHTS RESERVED UNDER THE COPYRIGHT ACT 1956 AS AMENDED BY THE DESIGN COPYRIGHT ACT 1968




ITEM	DESCRIPTION	SPARES No
1	ELEMENT BOX LID GASKET	731350015
2	TILT SWITCH BRACKET	731350016
3	TILT SWITCH	735750014
4	ELEMENT BOX CABLE GASKET	731350017
5	ELEMENT BOX SUPPORT GASKET	731350018
6	BASKET HANGING RAIL	731350019
7	THERMISTOR PROBE C/W FITTINGS	731350020
8	SAFETY STAT C/W FITTINGS	731350021
9	ELEMENT C/W GASKET	731350022
9.1	ELEMENT GASKET	731350023

**CLEARED FOR PRODUCTION**

ISSUE	MOD No	ALTERATION	DRAWN BY	DATE
A	1234/10	PRODUCTION ISSUE	G.SMITH	23/11/10

IF IN DOUBT ASK  
DO NOT SCALE  
FIRST ANGLE PROJECTION



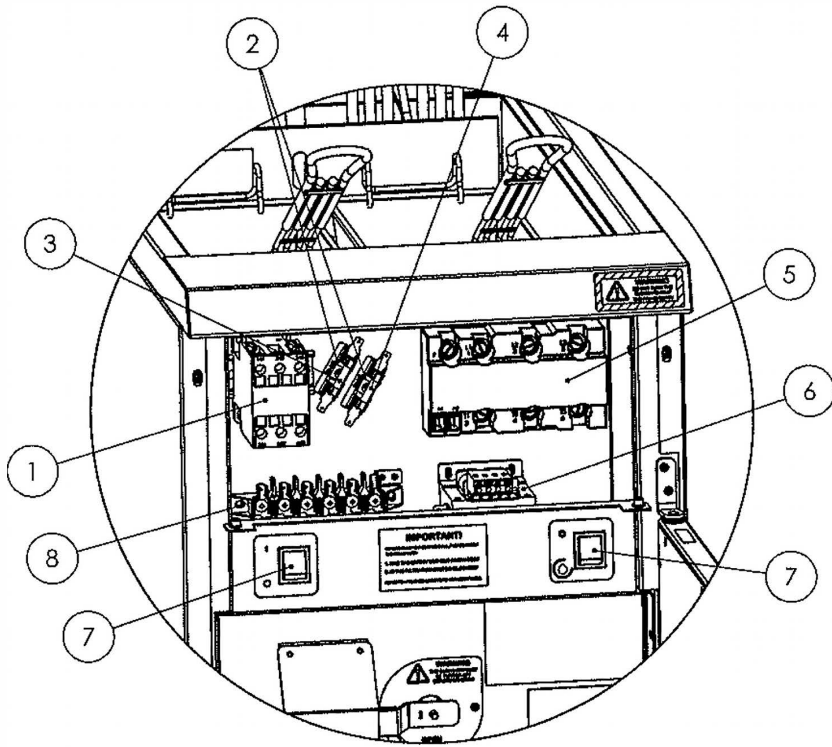
UNLESS OTHERWISE SPECIFIED:  
DIMENSIONS ARE IN MILLIMETERS  
TOLERANCES:  
LINEAR: ±0.5mm  
ANGULAR: ±0.5 DEG

DEBUR AND  
BREAK SHARP EDGES

WEIGHT: 1191.329.45g



DRAWN: <b>G.SMITH</b>	PRODUCT	<b>E401/402 SINGLE PAN FRYER</b>	
DATE: <b>23/11/10</b>	TITLE	<b>SPARES - ELEMENTS / HOUSING</b>	
SCALE:	DRAWING NUMBER	<b>AD48019</b>	ISSUE
MATL:	FINISH:		<b>A</b>
THICKNESS:	PART No:		
BIN No:			



ITEM	DESCRIPTION	UNIT	SPARES No
1	CONTACTOR		734510010
2	FUSE HOLDER		734310510
3	2 AMP ANTI-SURGE FUSE		731050002
4	5 AMP ANTI-SURGE FUSE	FILTER MODELS ONLY	536430009
5	SOLID STATE POWER SWITCH		731350024
6	STEP-DOWN TRANSFORMER	402 ONLY	731360002
7	ROCKER SWITCH		732950006
8	MAINS TERMINAL BLOCK		731000006
9	MAINS INLET CABLE (NOT SHOWN)		731350025
10	MAINS INLET CABLE GLAND C/W NUT (NOT SHOWN)		731350026
11	MAIN WIRING LOOM (NOT SHOWN)	FILTER MODELS ONLY	731350027
12	MAIN WIRING LOOM (NOT SHOWN)	NON-FILTER MODELS	731370000
13	CONTROL PANEL WIRING LOOM (NOT SHOWN)	401 ONLY	731350028
14	CONTROL PANEL WIRING LOOM (NOT SHOWN)	402 ONLY	731360003

MODEL SHOWN - E402F

# CLEARED FOR PRODUCTION

ISSUE	MOD No	ALTERATION	DRAWN BY	DATE
A	1234/10	PRODUCTION ISSUE	G.SMITH	22/11/10

© NO REPRODUCTION OR PUBLICATION OF THIS DRAWING MAY BE MADE AND NO ARTICLE MAY BE MANUFACTURED OR ASSEMBLED IN ACCORDANCE WITH THIS DRAWING WITHOUT PRIOR WRITTEN CONSENT. THIS PROHIBITION IS A TERM OF ANY CONTRACT RELATING TO THIS DRAWING. RIGHTS RESERVED UNDER THE COPYRIGHT ACT 1956 AS AMENDED BY THE DESIGN COPYRIGHT ACT 1968

IF IN DOUBT ASK  
 DO NOT SCALE  
 FIRST ANGLE PROJECTION

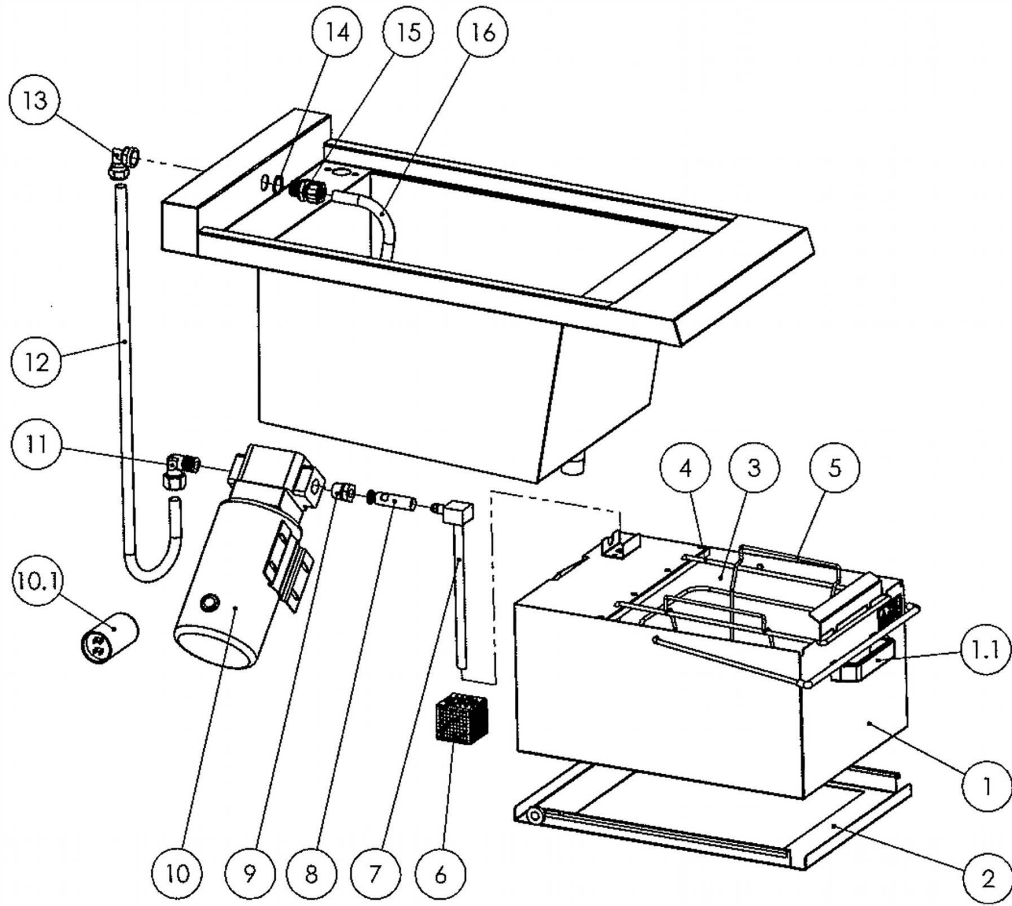
UNLESS OTHERWISE SPECIFIED:  
 DIMENSIONS ARE IN MILLIMETERS  
 TOLERANCES:  
 LINEAR: ±0.5mm  
 ANGULAR: ±0.5 DEG

DEBUR AND  
 BREAK SHARP EDGES

WEIGHT: 1191329.65g



DRAWN: <b>G.SMITH</b>	PRODUCT	<b>E401/402 SINGLE PAN FRYER</b>	
DATE: <b>22/11/10</b>	TITLE	<b>SPARES - ELECTRICS</b>	
SCALE:	DRAWING NUMBER	<b>AD48020</b>	ISSUE
MATL:	FINISH:		<b>A</b>
THICKNESS:	PART No:		
BIN No:			



ITEM	DESCRIPTION	SPARES No
1	OIL CONTAINER ASSEMBLY	731350029
1.1	OIL CONTAINER FRONT HANDLE	731350030
2	OIL CONTAINER CARRIER	535770028
3	FINE MESH FILTER	737101159
4	FINE MESH FILTER WIRE SUPPORT	737101143
5	BASKET FILTER	731350031
6	SUCTION PIPE FILTER	731350032
7	SUCTION PIPE C/W 'O' RING	731350033
7.1	SUCTION PIPE 'O' RING (NOT SHOWN)	731350034
8	OIL INLET NOZZLE C/W WASHER	731350035
9	REDUCER	731350036
10	OIL PUMP	731350037
10.1	OIL PUMP CAPACITOR	731350038
11	PUMP ELBOW	731350039
12	OIL PUMP OUTLET PIPE	731350040
13	OIL RETURN ELBOW	731350041
14	OIL RETURN PIPE GASKET	731350042
15	OIL RETURN COUPLING	731350043
16	OIL RETURN PIPE	731350044

**CLEARED FOR PRODUCTION**

ISSUE	MOD No	ALTERATION	DRAWN BY	DATE
A	1234/10	PRODUCTION ISSUE	G.SMITH	23/11/10

IF IN DOUBT ASK  
DO NOT SCALE  
FIRST ANGLE PROJECTION

UNLESS OTHERWISE SPECIFIED:  
DIMENSIONS ARE IN MILLIMETERS  
TOLERANCES:  
LINEAR: ±0.5mm  
ANGULAR: 20.5 DEG

DEBUR AND  
BREAK SHARP EDGES

WEIGHT: 1191329.65g



DRAWN: G.SMITH	PRODUCT	<b>E401F / E402F SINGLE PAN FRYER</b>	
DATE: 23/11/10	TITLE	<b>SPARES - FILTRATION</b>	
SCALE:	DRAWING NUMBER	AD48021	ISSUE
MATL:	FINISH:		A
THICKNESS:	PART No:		
BIN No:			

# TECHNICAL BULLETIN

19/05



Falcon Foodservice Equipment  
Wallace View  
Hillfoots Road  
Stirling  
Scotland. FK9 5PY  
Tel: 01786 455200  
Fax: 01786 469454  
info@falconfoodservice.com  
www.falconfoodservice.com

**E401/2/F, E3840/F  
E421/F/2 & E422/F**

## **New tilt switch assembly.**

**From October 2019 we are now fitting a new tilt switch to the fryers detailed above**

**The spares code for both single and twin pan post October for E401/2/F, E3840/F, E421/F/2 & E422/F is 731460003.**

**There is a new tilt switch retro fit kit for E401/2/F and E3840/F single pan pre October 2019, spares code 731350061. A copy of the retro fit instructions is attached for information at the end of the technical bulletin.**

**The new tilt switch can not be fitted to twin pan fryers E421/F/2 and E422/F pre October and spares code has not changed and remains 731350051.**



# E401/2/F & E3840/F

## TILT SWITCH RETRO FIT KIT FITTING INSTRUCTIONS

For replacement on Single Pan E400 Fryers listed above only

Tool	Where Used
Large Flat Blade Screwdriver	5x Screws on head cover plate
Small Cross Head Screwdriver	2x Screws on bottom of element box, tilt switch bracket
Small Flat Blade Screwdriver	2x Screws on connector block
8mm Socket, Extension & Ratchet	Earth post

1. Lift up the element head & remove the 2x bracket retaining screws located on the bottom of the element head as shown in figure 1.

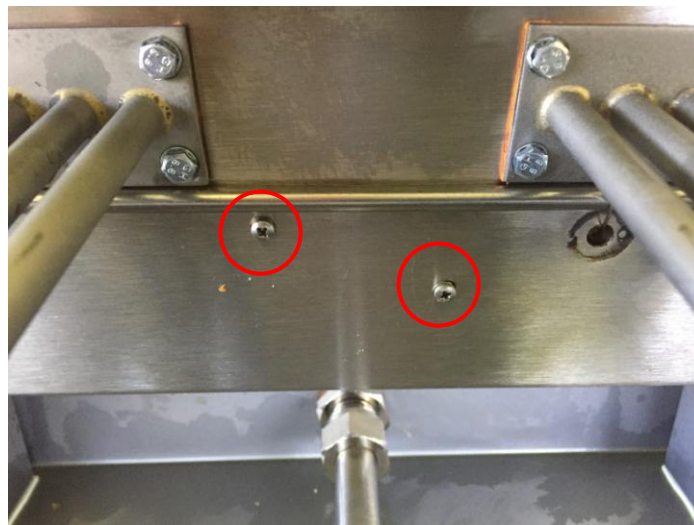


Figure 1

2. Lower the element head & remove the 5x retaining screws. Lift of the lid & gasket.
3. Unscrew & remove the 2x wires on the terminal block as well as the 8mm nut that secures the earth cable as shown on Figure 2.

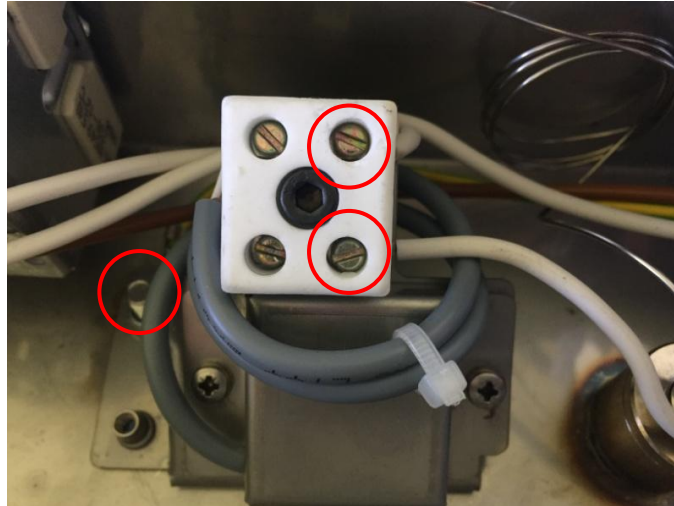


Figure 2

4. Remove the existing tilt switch & replace with new tilt switch & bracket.
5. Reconnect the wires to the terminal block & secure the earth cable to the earth post as shown in Figure 3.



Figure 3

6. Lift the element head & secure tilt switch bracket using the 2x screws as shown in Figure 1.
7. Lower the element head, replace gasket & lid, securing with the 5x screws removed earlier.
8. Test the functionality of the tilt switch by setting the control knob to zero & raising the head, the switch is set to cut out at 15°, at that point the safety contactor should cut out (Audible clunk).

**BEFORE CARRYING OUT ANY WORK, REFER TO THE APPLIANCE INSTRUCTIONS FOR THE RELEVANT WARNINGS. FOR MORE INFORMATION OR TO DOWNLOAD THE INSTRUCTIONS VISIT [www.falconfoodservice.com](http://www.falconfoodservice.com).**



FOODSERVICE EQUIPMENT SPARES LTD

UNIT 4 SANDBROOK PARK, SANDBROOK WAY, ROCHDALE, OL11 1RY

01706 353 633

SALES@FOODSERVICESPARES.COM



WWW.FOODSERVICESPARES.COM