



# TECHNICAL DIAGRAMS



E3840

0170 6 353 633

[WWW.FOODSERVICESPARES.CO](http://WWW.FOODSERVICESPARES.CO)

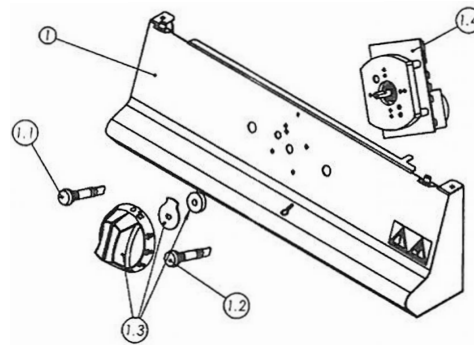
## SPARE PARTS DIAGRAM FOR



Fryer  
E3840



ITEM	DESCRIPTION	SPARES No.
1	CONTROL PANEL ASSEMBLY	731390000
1.1	RED NEON	735010370
1.2	AMBER NEON	735010380
1.3	CONTROL KNOB C/W STOP	731350001
1.4	CONTROLLER	731350002



## PRODUCTION ISSUE

ISSUE MODIFIED ALTERATION

FIND 'BUBBLY'  
DO NOT SCALE



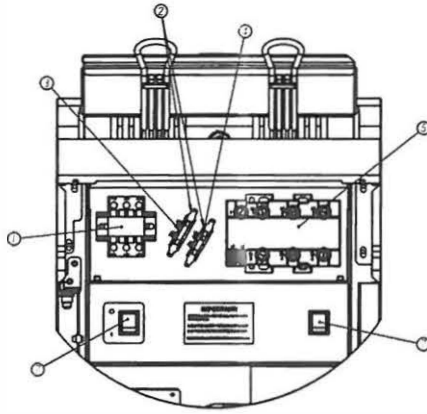
DESIGNED BY S.MCGUINNESS  
DATE 30/03/12  
SCALE 1:5

E & G3840/F FRYER  
SPARES CONTROL PANEL

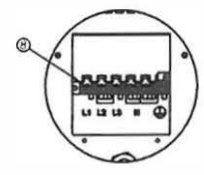
AD49424

A

Falcon Foodservice Equipment Wallace View Hillfoots Road Stirling Scotland



ITEM	DESCRIPTION	SPARES NO
1	CONTACTOR	734510010
2	FUSE HOLDER	734310010
3	2 AMP ANTI-SURGE FUSE	731050002
4	5 AMP ANTI-SURGE FUSE	734430000
5	SOLID STATE POWER SWITCH	731151024
6		
7	RESETER SWITCH (E3840/F FRYER)	732951006
8	MAIN TERMINAL BLOCK	731101005
9	MAIN WIRING LOOM (E3840)	731890000
10	MAIN WIRING LOOM (E3840)	731890010
11	CONTROL WIRING LOOM (E3840/F)	731350028
12	CONTROL WIRING LOOM (E3840)	731350028

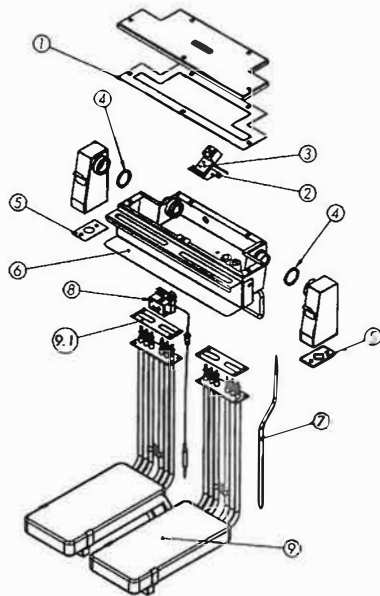


DETAIL C  
VIEW ON REAR

PRODUCTION ISSUE

		<b>E3840/F FRYER</b>	
LABORER 33		<b>SPARES ELECTRICS</b>	
02/04/12		<b>AD49427</b>	
1:1		<b>A</b>	

Falcon Foodservice Equipment Wallace View Hillfoots Road Stirling Scotland



ITEM	DESCRIPTION	SPARES No
1	ELEMENT BOX LID GASKET	731390007
2	TILT SWITCH BRACKET	731350016
3	TILT SWITCH	735750014
4	ELEMENT BOX CABLE GASKET	731350017
5	ELEMENT BOX SUPPORT GASKET	731350018
6	BASKET HANGING RAIL	731390008
7	THERMISTOR PROBE C/W FITTINGS	731350020
8	SAFETY STAT C/W FITTINGS	731350021
9	ELEMENT C/W GASKET	731350022
9.1	ELEMENT GASKET	731350023

**PRODUCTION ISSUE**

ISSUE	MODIFIED	ALTERED BY	DRAWN BY	DATE	IF TOLERANCES ARE NOT SPECIFIED USE THE FOLLOWING	DRAWN BY	S.McGUINNESS	PRODUCT	E3840 FRYER
								TITLE	SPARES ELEMENT HOUSING
								SCALE	1:1
A	1/36	PRODUCTION ISSUE	S.McGUINNESS	02/04/12				DATE	
								DRAWING NUMBER	AD49426
								ISSUE	A



# TECHNICAL BULLETIN

19/05



Falcon Foodservice Equipment  
Wallace View  
Hillfoots Road  
Stirling  
Scotland. FK9 5PY  
Tel: 01786 455200  
Fax: 01786 469454  
info@falconfoodservice.com  
www.falconfoodservice.com

**E401/2/F, E3840/F  
E421/F/2 & E422/F**

## **New tilt switch assembly.**

**From October 2019 we are now fitting a new tilt switch to the fryers detailed above**

**The spares code for both single and twin pan post October for E401/2/F, E3840/F, E421/F/2 & E422/F is 731460003.**

**There is a new tilt switch retro fit kit for E401/2/F and E3840/F single pan pre October 2019, spares code 731350061. A copy of the retro fit instructions is attached for information at the end of the technical bulletin.**

**The new tilt switch can not be fitted to twin pan fryers E421/F/2 and E422/F pre October and spares code has not changed and remains 731350051.**



# E401/2/F & E3840/F

## TILT SWITCH RETRO FIT KIT FITTING INSTRUCTIONS

For replacement on Single Pan E400 Fryers listed above only

Tool	Where Used
Large Flat Blade Screwdriver	5x Screws on head cover plate
Small Cross Head Screwdriver	2x Screws on bottom of element box, tilt switch bracket
Small Flat Blade Screwdriver	2x Screws on connector block
8mm Socket, Extension & Ratchet	Earth post

1. Lift up the element head & remove the 2x bracket retaining screws located on the bottom of the element head as shown in figure 1.

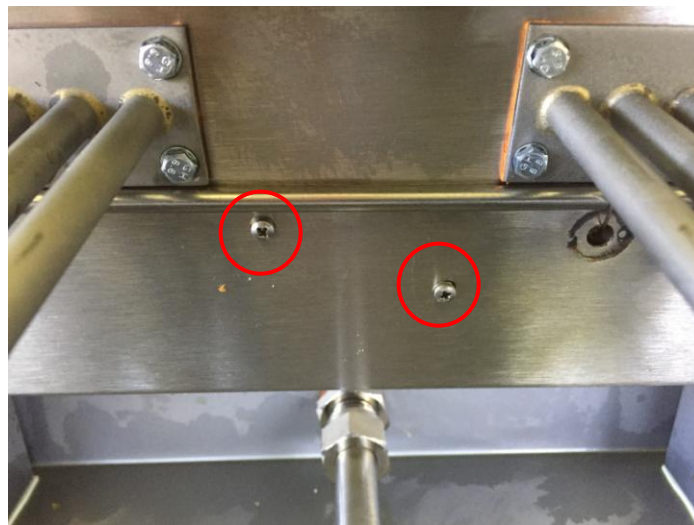


Figure 1

2. Lower the element head & remove the 5x retaining screws. Lift of the lid & gasket.
3. Unscrew & remove the 2x wires on the terminal block as well as the 8mm nut that secures the earth cable as shown on Figure 2.

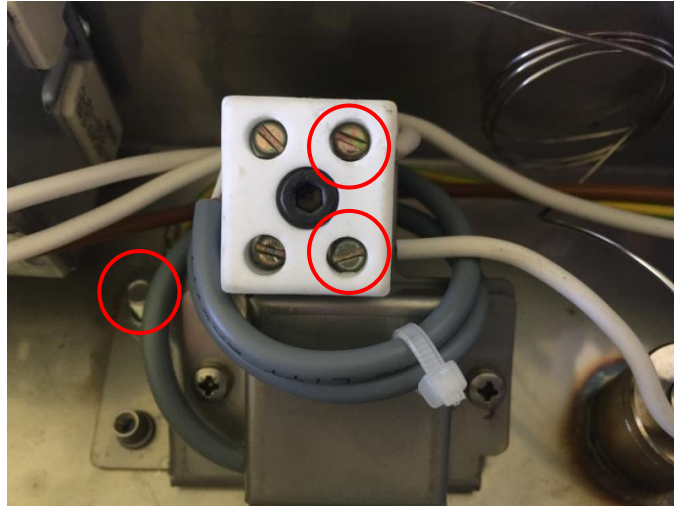


Figure 2

4. Remove the existing tilt switch & replace with new tilt switch & bracket.
5. Reconnect the wires to the terminal block & secure the earth cable to the earth post as shown in Figure 3.



Figure 3

6. Lift the element head & secure tilt switch bracket using the 2x screws as shown in Figure 1.
7. Lower the element head, replace gasket & lid, securing with the 5x screws removed earlier.
8. Test the functionality of the tilt switch by setting the control knob to zero & raising the head, the switch is set to cut out at 15°, at that point the safety contactor should cut out (Audible clunk).

**BEFORE CARRYING OUT ANY WORK, REFER TO THE APPLIANCE INSTRUCTIONS FOR THE RELEVANT WARNINGS. FOR MORE INFORMATION OR TO DOWNLOAD THE INSTRUCTIONS VISIT [www.falconfoodservice.com](http://www.falconfoodservice.com).**



FOODSERVICE EQUIPMENT SPARES LTD

UNIT 4 SANDBROOK PARK, SANDBROOK WAY, ROCHDALE, OL11 1RY

01706 353 633

SALES@FOODSERVICESPARES.COM



WWW.FOODSERVICESPARES.COM