



SELF-CONTAINED CUBER

PARTS LIST

[HE] [GRAM] [HS]

E1EC

E1EC-D001,D002,D003,D004,D005,D006,D007,
-D020,D200

A-1 AUG. 2011
B-1 JAN. 2012
B-2 JUN. 2012
B-3 ----- 2012
B-4 OCT. 2012
F-0 JAN. 2016 (From F00001 to F01133)
F-0 APR. 2016 (From F01134)
G-1 APR. 2017
G-2 OCT. 2017
J-1 JUL. 2019
J-2 SEP. 2019
K-1 JAN. 2020
L-1 DEC. 2021

IM-240NE
IM-240NE-21
IM-240NE-23
IM-240WNE
IM-240WNE-23
IM-240NE(HS)
IM-240NE-21(HS)
IM-240NE-23(HS)
IM-240NE-SN

List of Specifications

| | | |
|-----------------|-----------|--|
| IM-240NE | E1EC | Standard |
| IM-240NE-23 | E1EC-D001 | 23mm ICE of IM-240NE |
| IM-240NE-21 | E1EC-D002 | 21mm ICE of IM-240NE |
| IM-240WNE | E1EC-D003 | Water cooled |
| IM-240WNE-23 | E1EC-D004 | For HE, 23mm ICE of IM-240WNE |
| IM-240NE(HS) | E1EC-D005 | For Singapore special water valve |
| IM-240NE-23(HS) | E1EC-D006 | 23mm ICE for Singapore special water valve |
| IM-240NE-21(HS) | E1EC-D007 | 21mm ICE for Singapore special water valve |
| IM-240NE | E1EC-D020 | For GRAM |
| IM-240NE-SN | E1EC-D200 | Ti Evaporator |

Auxiliary Codes

Auxiliary Code Breakdown

The auxiliary code is the first two characters in the serial number. The first character indicates the year. Years progress or regress in alphabetical order. The series runs from "A" through "V" and the letters "I" and "O" are skipped. The second character indicates significant part changes within a year. Base is "0" and this number advances for each change. In cases where there is a letter in parentheses, this designates the month. This is the last character in the serial number. The series runs from "(A)" through "(M)" and the letter "(I)" is skipped. This designation is only included when identifying a parts change within an auxiliary code.

Note About Ordering Parts

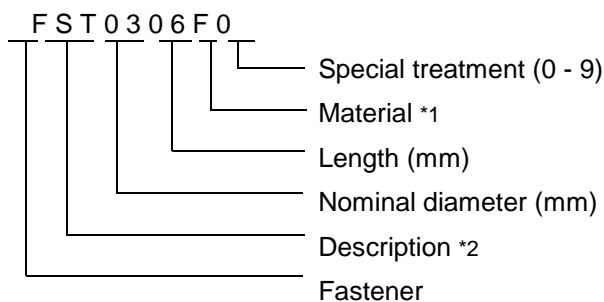
Most assemblies cannot be ordered as complete units; parts in the assemblies generally must be ordered separately.

MARKS LOCATED UNDER THE AUXILIARY CODE

- = Part deleted.

FASTENER PART NUMBER

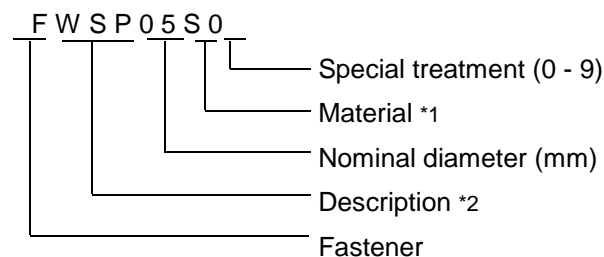
SCREWS



*1

- F: Steel
- S: Austenitic stainless steel
- M: Martensitic stainless steel
- B: Copper alloy
- P: Polycarbonate
- N: Polyamide
- V: PVC
- A: ABS
- X: Polyacetal
- L: Aluminum

NUTS & WASHERS

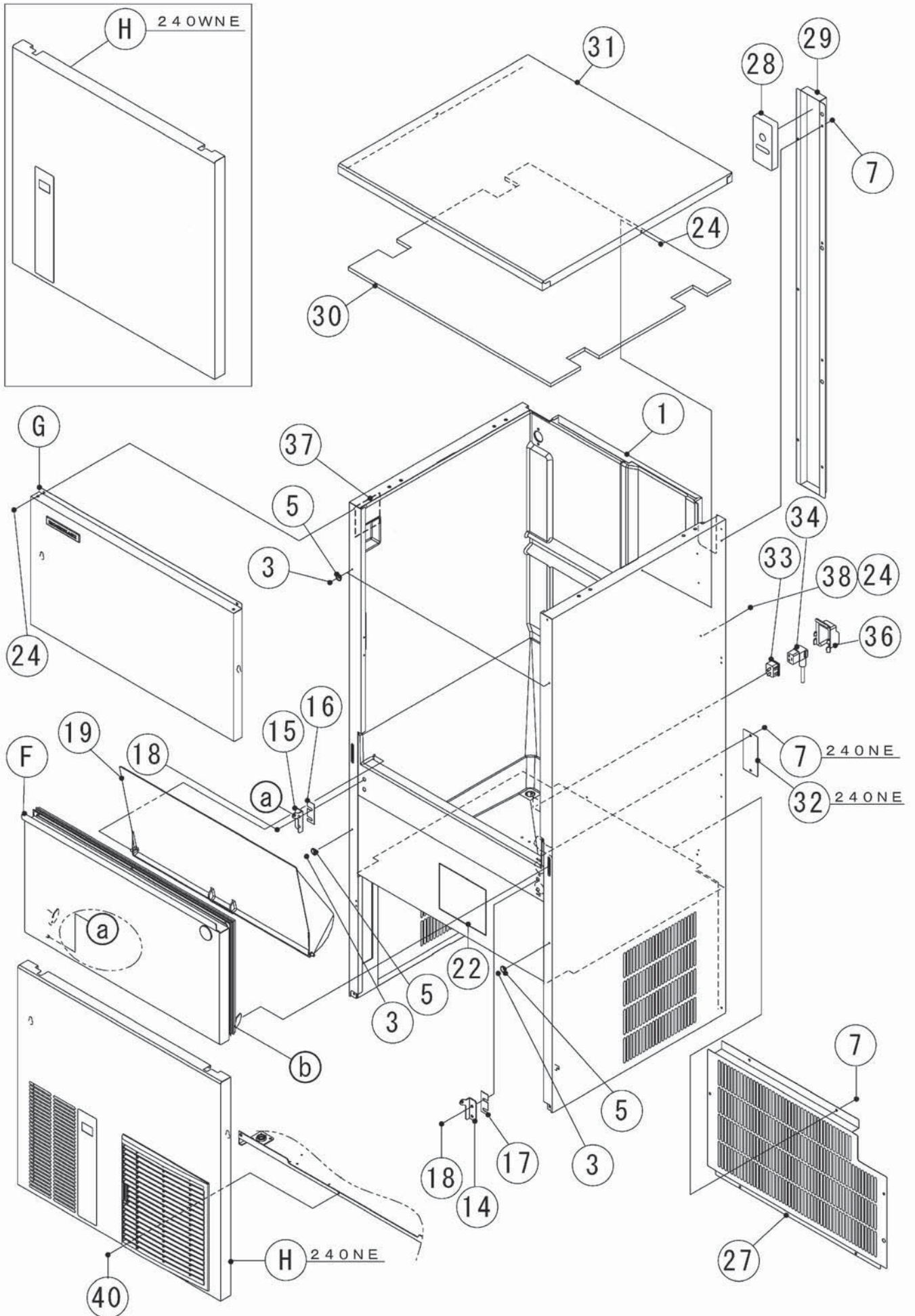


*2

- First letter
- S: Machine screw
- T: Tapping screw
- M: Wood screw
- B: Bolt
- W: Washer
- N: Nut

IM-240NE(-21,-23)
IM-240WNE(-23)

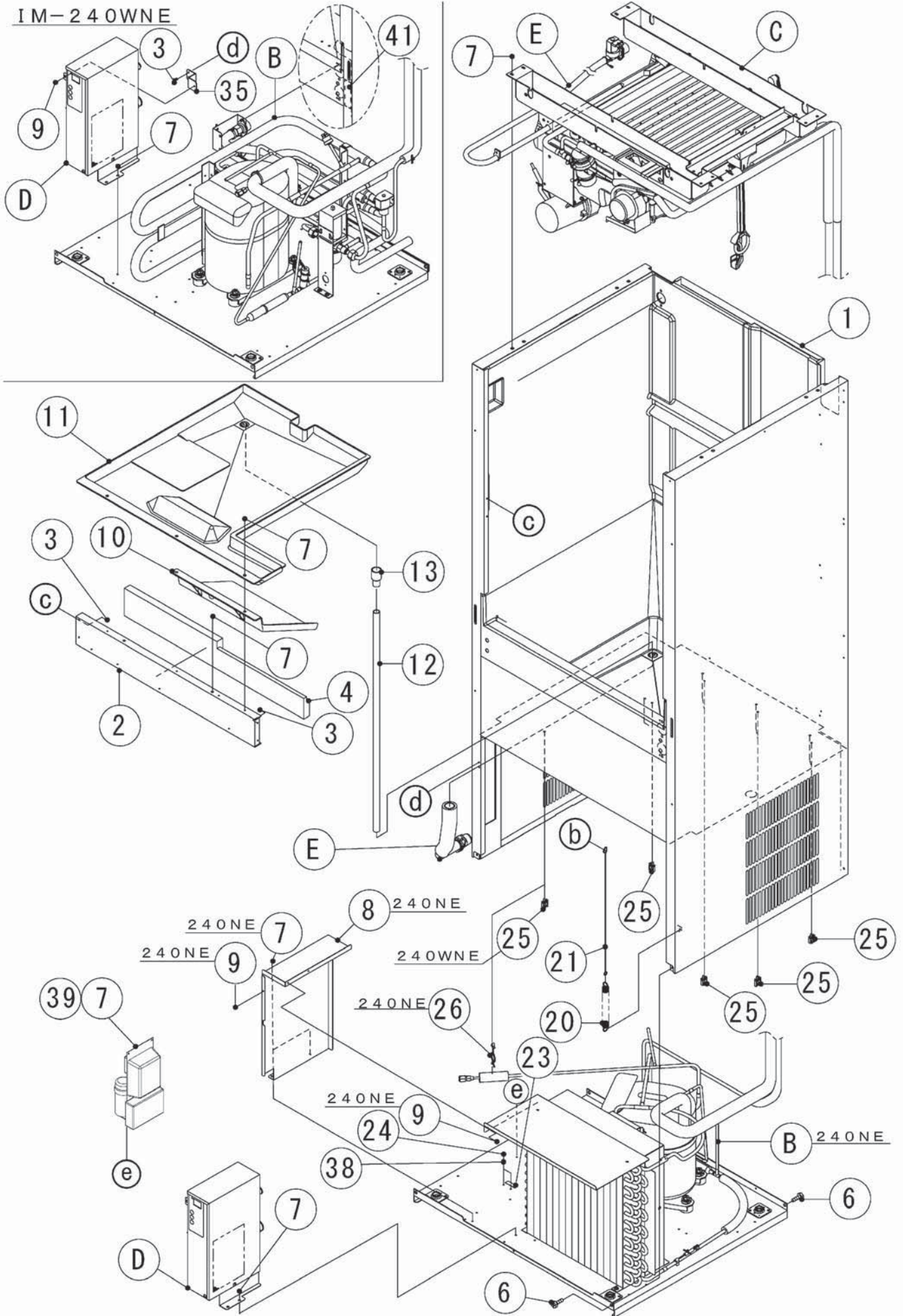
A. ICE CUBBER ASSY (1/2) (A-1) and later



IM-240NE(-21,-23)
IM-240WNE(-23)

A. ICE CUBBER ASSY (2/2) (A-1) and later

IM-240WNE



| MODEL: IM-240NE,-21,-23 IM-240WNE,-23 | | | TITLE: A.ICE CUBBER ASSY | | | | | |
|--|-----------------------------|--------------------------|---------------------------------|--------------|---------|-----------------|-----------------|-----|
| INDEX NO. | DESCRIPTION | MATERIAL OR MODEL NUMBER | PART NUMBER | REQ'D NUMBER | | | | |
| | | | | A-1 B-1 | B-2 B-3 | B-4 F-0 (Note1) | F-0 (Note2) G-0 | G-1 |
| B | REFRIGERATION ASSY | (240NE,-21,-23) | 1H4761A01 | 1 | - | - | - | - |
| | | | 1H5213A01 | - | 1 | 1 | 1 | 1 |
| | | (240WNE,-23) | 1H4791A01 | 1 | - | - | - | - |
| | | | 1H5216A01 | - | 1 | 1 | 1 | 1 |
| C | MECHANISM ASSY | | 1H4762A01 | 1 | 1 | 1 | 1 | 1 |
| D | CONTROL BOX ASSY | (240NE,-21,-23) | 2X0291A01 | 1 | - | - | - | - |
| | | | 2X1197A01 | - | 1 | 1 | 1 | 1 |
| | | (240WNE,-23) | 2X0366A01 | 1 | - | - | - | - |
| | | | 2X1197A02 | - | 1 | 1 | 1 | 1 |
| E | WATER CIRCUIT ASSY | | 2X0293A01 | 1 | 1 | 1 | 1 | 1 |
| F | DOOR ASSY | | 3Y5436A01 | 1 | 1 | 1 | 1 | 1 |
| G | FRONT COVER UPPER ASSY | | 3Y5438A01 | 1 | 1 | 1 | 1 | 1 |
| | | (GRAM) | 3Y5438A02 | - | - | 1 | 1 | 1 |
| H | FRONTCOVER(LOWER) ASSY | (240NE,-21,-23) | 3Y5439A01 | 1 | - | - | - | - |
| | | | 2X1261A01 | - | 1 | 1 | 1 | 1 |
| | | (240WNE,-23) | 3Y5544A01 | 1 | - | - | - | - |
| | | | 3Y6776A01 | - | 1 | 1 | 1 | 1 |
| M | ACCESSORIES | | | 1 | 1 | 1 | 1 | 1 |
| | | | | | | | | |
| 1 | BODY | | 1H4759G01 | 1 | 1 | 1 | 1 | 1 |
| 2 | FRONT FRAME | | 3X9103-01 | 1 | 1 | 1 | 1 | 1 |
| 3 | RIVET | | 7170-0002 | 8 | 8 | 8 | 8 | 8 |
| 4 | INSULATION - FRONT FRAME | | 4Y6991P01 | 1 | 1 | 1 | 1 | 1 |
| 5 | TAPER COLLAR | | 4H0171-01 | 4 | 4 | 4 | 4 | 4 |
| 6 | T2 SCREW | (240NE,-23) | 1H4766-01 | 4 | - | - | - | - |
| | | (240WNE) | 1H4794-01 | 4 | - | - | - | - |
| | TAPPING SCREW - HEX | | 442040-01 | - | 4 | 4 | 4 | 4 |
| 7 | FLANGE BOLT (C-TITE) | (240NE,-21,-23) | FTR0408M0 | 32 | - | - | - | - |
| | | | | - | 34 | 34 | 34 | 34 |
| | | (240WNE,-23) | | 29 | - | - | - | - |
| | | | | - | 32 | 32 | 32 | 32 |
| 8 | COVER - CONT | (240NE,-23) | 2X0292M01 | 1 | - | - | - | - |
| 9 | TRUSS HEAD TAPPING SCREW T2 | (240NE,-23) | FT20408F0 | 3 | - | - | - | - |
| | | (240WNE) | FT20408F0 | 1 | - | - | - | - |
| 10 | ICE GUIDE G | | 4Y7002G01 | 1 | 1 | 1 | 1 | 1 |
| 11 | DRAIN PAN | | 3Y5434G01 | 1 | 1 | 1 | 1 | 1 |
| 12 | DRAIN PIPE | | 4X7117-02 | 1 | 1 | 1 | 1 | 1 |
| 13 | DRAIN TUBE | | 4H2585-01 | 1 | 1 | 1 | 1 | 1 |

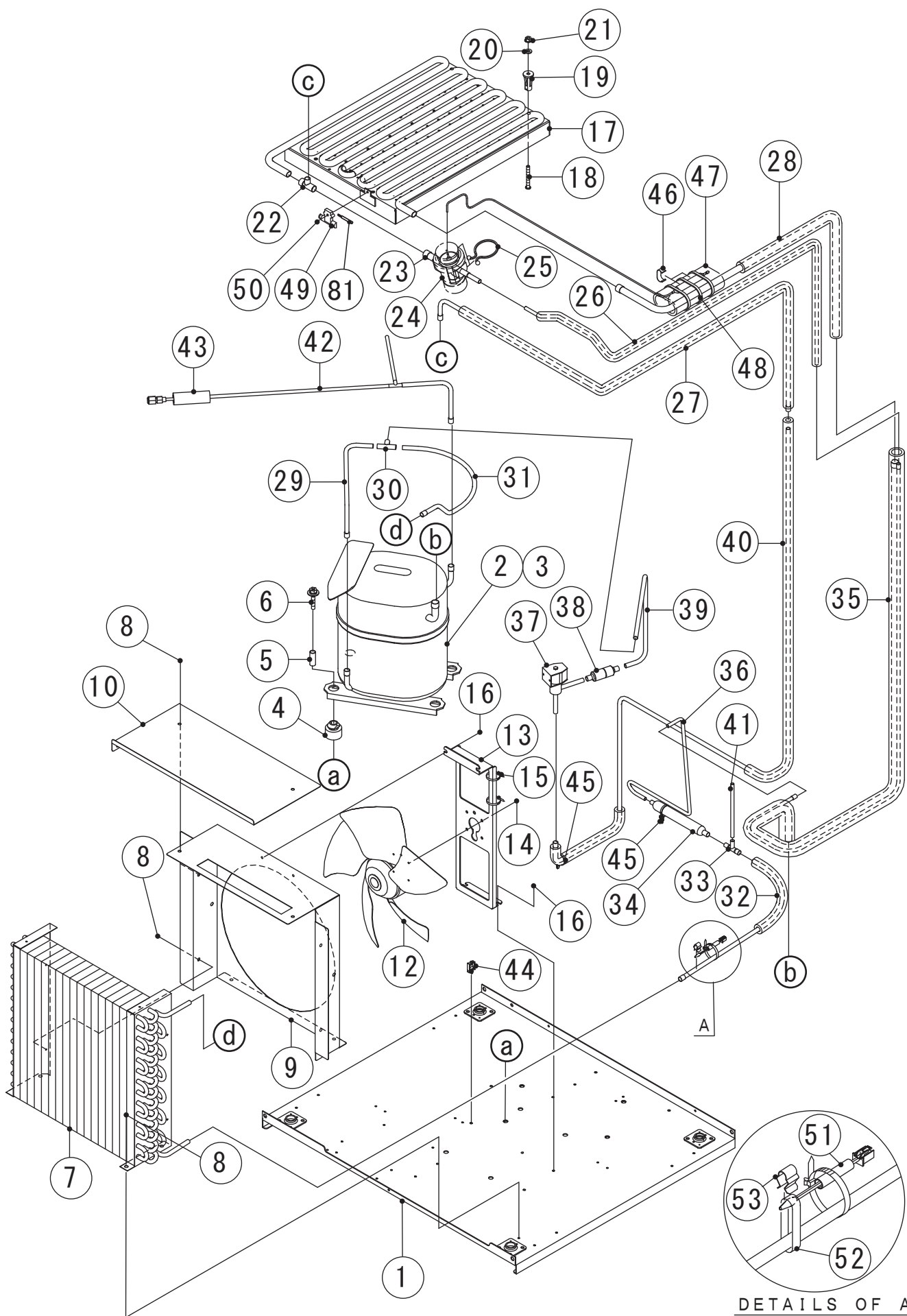
| MODEL: IM-240NE,-21,-23 IM-240WNE,-23 | | | | TITLE: A.ICE CUBBER ASSY | | | | |
|--|--|--------------------------|-------------|---------------------------------|------------|-----------------------|-----------------------|-----|
| INDEX NO. | DESCRIPTION | MATERIAL OR MODEL NUMBER | PART NUMBER | REQ'D NUMBER | | | | |
| | | | | A-1 B-1 | B-2 B-3 | B-4 F-0 (Note1) | F-0 (Note2) G-0 | G-1 |
| 14 | HINGE (RIGHT) | | 4H2583-01 | 1 | 1 | 1 | 1 | 1 |
| 15 | HINGE (LEFT) | | 4H2584-01 | 1 | 1 | 1 | 1 | 1 |
| 16 | HINGE SPACER (A) | | 4H0605-01 | 1 | 1 | 1 | 1 | 1 |
| 17 | HINGE SPACER (B) | | 4H0605-02 | 1 | 1 | 1 | 1 | 1 |
| 18 | HEX HEAD BOLT (SPRING WASHER AND FLAT WASHER) | | FBK0620S0 | 4 | 4 | 4 | 4 | 4 |
| 19 | SLOPE | | 3X4854G01 | 1 | 1 | 1 | 1 | 1 |
| 20 | SPRING | | 4H0823-01 | 1 | 1 | 1 | 1 | 1 |
| 21 | HOOK | | 4H2685-03 | 1 | 1 | 1 | 1 | 1 |
| 22 | WIRING LABEL | | 3Y5103L01 | 1 | - | - | - | - |
| | | | 3Y6692L01 | | 1 | 1 | 1 | 1 |
| 23 | LABEL - GROUND | | 451712-01 | 1 | - | - | - | - |
| | LABEL - GROUND (B) | | 450452-02 | - | 1 | 1 | 1 | 1 |
| 24 | TRUSS HEAD MACHINE SCREW | (240NE,-21,-23) | FST0408S0 | 7 | 7 | 7 | 7 | 7 |
| | | (240WNE,-23) | | 7 | 8 | 8 | 8 | 8 |
| 25 | CLAMP | (240NE,-21,-23) | P04381-01 | 8 | 8 | 8 | 8 | 8 |
| | | (240WNE,-23) | | 9 | 9 | 9 | 9 | 9 |
| 26 | CLAMP | (240NE,-21,-23) | P05216-01 | 1 | 1 | 1 | 1 | 1 |
| 27 | REAR PANEL | | 2X0296M01 | 1 | 1 | 1 | 1 | 1 |
| 28 | INSULATION - PIPE | | 4Y2507-01 | 1 | 1 | 1 | 1 | 1 |
| 29 | COVER - PIPE | | 390186M01 | 1 | 1 | 1 | 1 | 1 |
| 30 | INSULATION - TOP PANEL | | 3X9100-01 | 1 | 1 | 1 | 1 | 1 |
| 31 | TOP PANEL | | 1H4765M01 | 1 | 1 | 1 | 1 | 1 |
| 32 | COVER - REAR | (240NE,-21,-23) | 4Y7004M01 | 1 | 1 | 1 | 1 | 1 |
| 33 | CONNECTOR | | P00246-01 | 1 | 1 | 1 | 1 | 1 |
| 34 | POWER SUPPLY CORD | EU-PLUG(16A) | P03362-01 | 1 | 1 | 1 | 1 | 1 |
| | | UK-PLUG(13A) | P03363-01 | 1 | 1 | 1 | 1 | 1 |
| | | AS-PLUG(15A) | P03364-01 | 1 | 1 | 1 | 1 | 1 |
| 35 | BRACKET - CONT | (240WNE) | 4Y7326M01 | 1 | - | - | - | - |
| 36 | COVER - CONNECTOR | | 2X0271P01 | 1 | 1 | 1 | 1 | 1 |
| 37 | NAME PLATE | | N/A | 1 | 1 | 1 | 1 | 1 |
| 38 | SPRING WASHER | | FWSP04S0 | 2 | 3 | 3 | 3 | 3 |
| 39 | STARTING DEVICE | | P01856-01 | - | 1 | 1 | 1 | 1 |
| 40 | S-TITE TRUSS HEAD SCREW | | FTS0408M0 | 1 | 1 | 1 | 1 | 1 |
| 41 | LABEL-CONNECTION | (240WNE,-23) | 464541-01 | 1 | 1 | 1 | 1 | 1 |

*Note1 : From F00001 to F01133

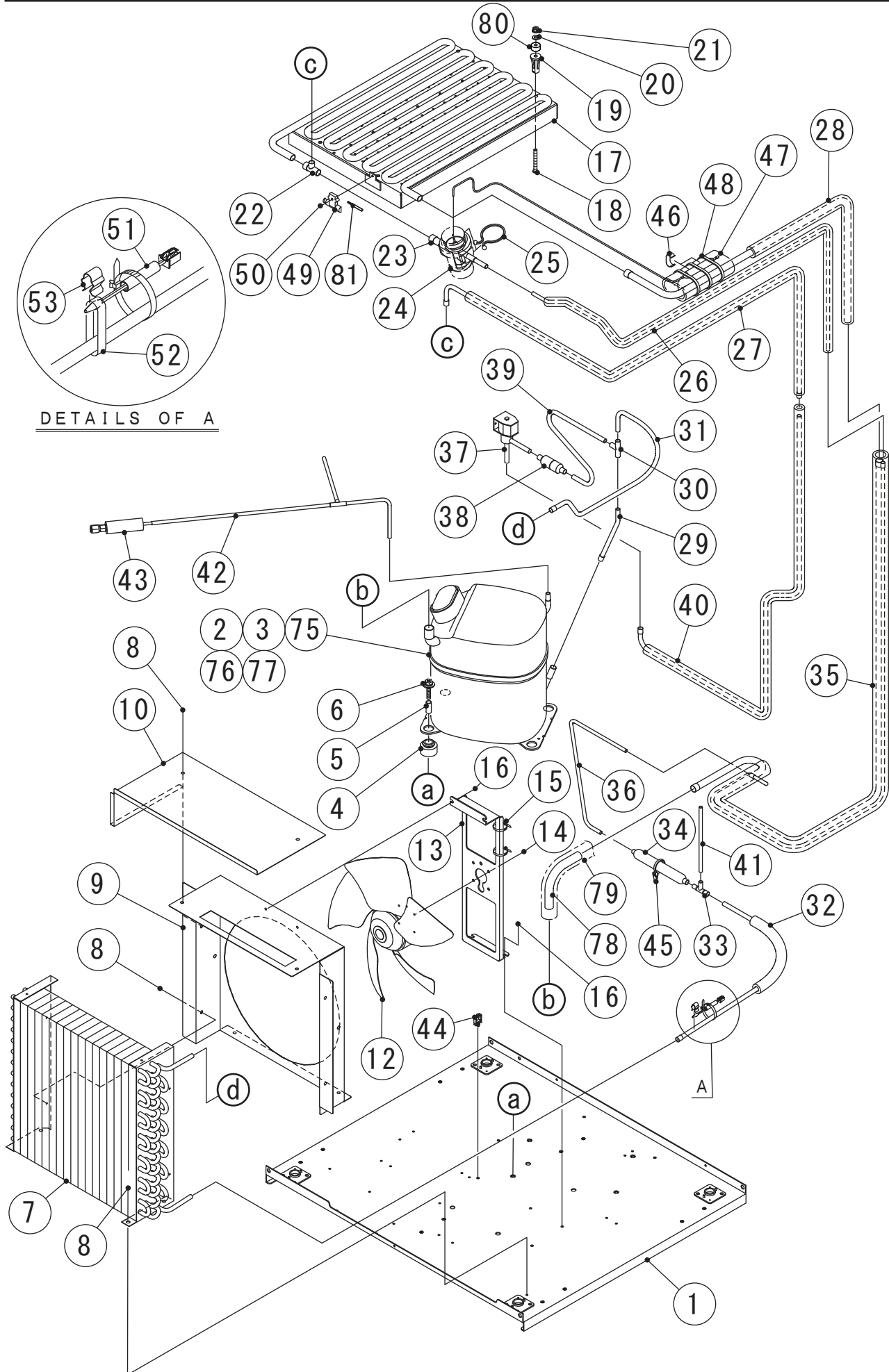
*Note2 : From F01134

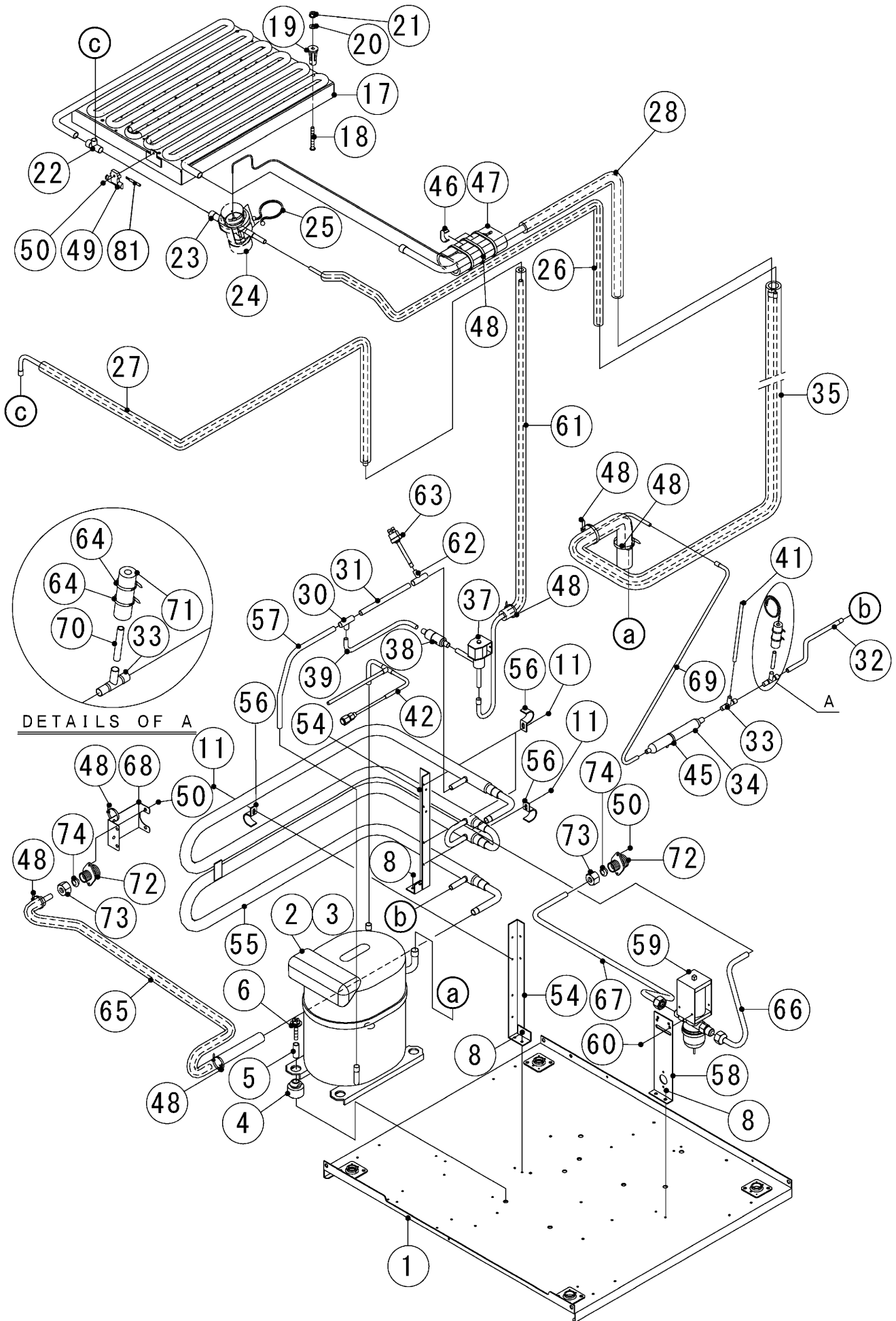
| MODEL: IM-240NE,-21,-23 IM-240WNE,-23 | | | | TITLE: A.ICE CUBBER ASSY | | | | |
|--|--------------------------|--------------------------|-------------|---------------------------------|-----|---------|-----|--|
| INDEX NO. | DESCRIPTION | MATERIAL OR MODEL NUMBER | PART NUMBER | REQ'D NUMBER | | | | |
| | | | | G-2 J-0 | J-1 | J-2 K-0 | K-1 | |
| B | REFRIGERATION ASSY | (240NE) | 1H5213A01 | - | - | - | - | |
| | | | 1H5977A01 | 1 | 1 | 1 | 1 | |
| | | (240NE-21) | 1H5213A01 | 1 | 1 | 1 | - | |
| | | | 1H5977A01 | - | - | - | 1 | |
| | | (240NE-23) | 1H5213A01 | 1 | 1 | - | - | |
| | | | 1H5977A01 | - | - | 1 | 1 | |
| | | (240WNE) | 1H5216A01 | - | - | - | - | |
| | | | 1H5978A01 | 1 | 1 | 1 | 1 | |
| (240WNE-23) | 1H5216A01 | 1 | 1 | - | - | | | |
| | 1H5978A01 | - | - | 1 | 1 | | | |
| C | MECHANISM ASSY | | 1H4762A01 | 1 | 1 | 1 | 1 | |
| D | CONTROL BOX ASSY | (240NE) | 2X1197A01 | - | - | - | - | |
| | | | 2X3379A01 | 1 | - | - | - | |
| | | | 2X3379A03 | - | 1 | 1 | 1 | |
| | | (240NE-21) | 2X1197A01 | 1 | 1 | 1 | - | |
| | | | 2X3379A03 | - | - | - | 1 | |
| | | (240NE-23) | 2X1197A01 | 1 | 1 | - | - | |
| | | | 2X3379A03 | - | - | 1 | 1 | |
| | | (240WNE) | 2X1197A02 | - | - | - | - | |
| | | | 2X3379A02 | 1 | - | - | - | |
| | | | 2X3379A04 | - | 1 | 1 | 1 | |
| (240WNE-23) | 2X1197A02 | 1 | 1 | - | - | | | |
| | 2X3379A04 | - | - | 1 | 1 | | | |
| E | WATER CIRCUIT ASSY | | 2X0293A01 | 1 | 1 | 1 | 1 | |
| F | DOOR ASSY | | 3Y5436A01 | 1 | 1 | 1 | 1 | |
| G | FRONT COVER UPPER ASSY | | 3Y5438A01 | 1 | 1 | 1 | 1 | |
| | | (GRAM) | 3Y5438A02 | 1 | 1 | 1 | 1 | |
| H | FRONTCOVER(LOWER) ASSY | (240NE,-21,-23) | 2X1261A01 | 1 | 1 | 1 | 1 | |
| | | (240WNE,-23) | 3Y6776A01 | 1 | 1 | 1 | 1 | |
| M | ACCESSORIES | | | 1 | 1 | 1 | 1 | |
| | | | | | | | | |
| 1 | BODY | | 1H4759G01 | 1 | 1 | 1 | 1 | |
| 2 | FRONT FRAME | | 3X9103-01 | 1 | 1 | 1 | 1 | |
| 3 | RIVET | | 7170-0002 | 8 | 8 | 8 | 8 | |
| 4 | INSULATION - FRONT FRAME | | 4Y6991P01 | 1 | 1 | 1 | 1 | |
| 5 | TAPER COLLAR | | 4H0171-01 | 4 | 4 | 4 | 4 | |
| 6 | TAPPING SCREW - HEX | | 442040-01 | 4 | 4 | 4 | 4 | |

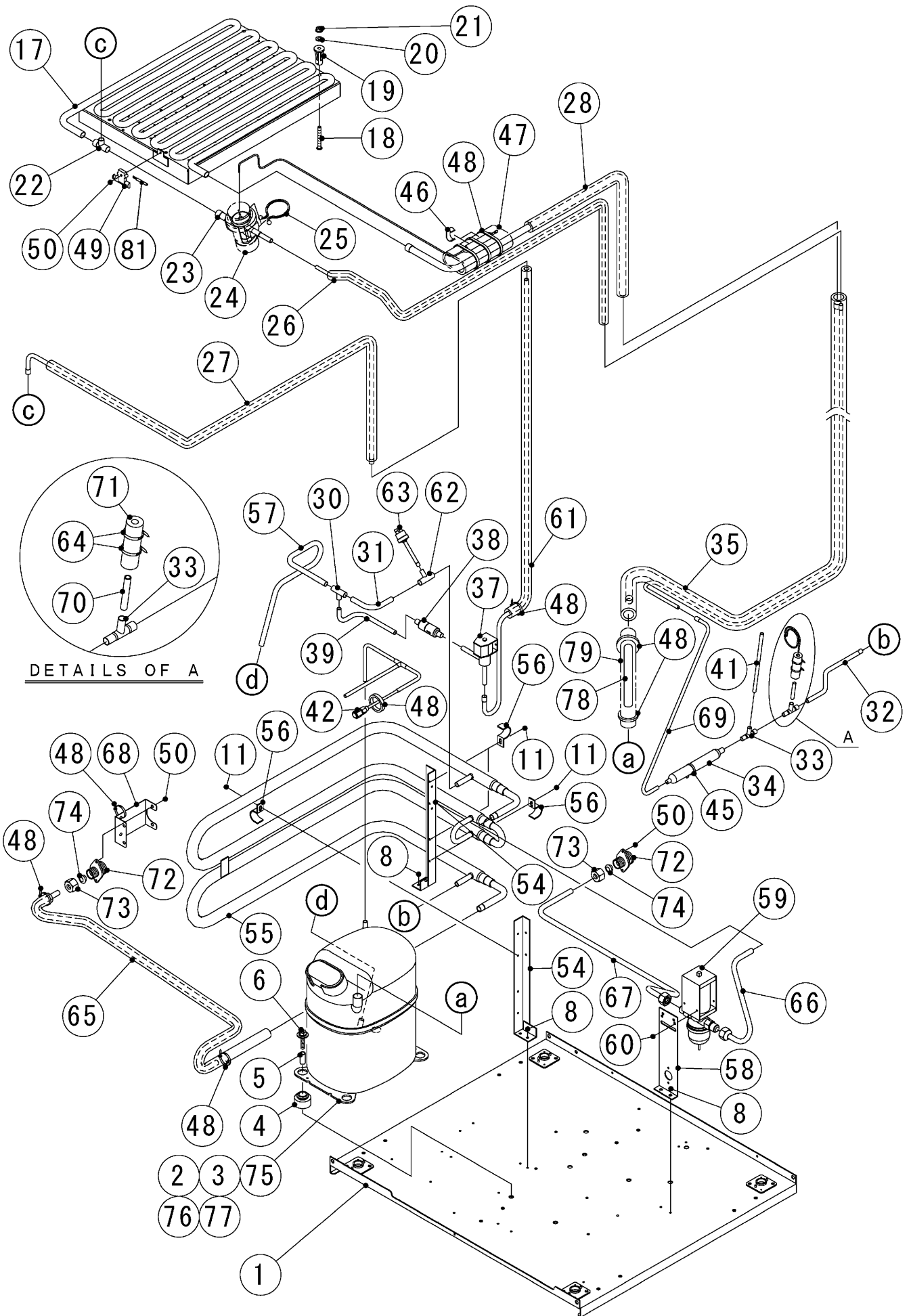
| MODEL: IM-240NE,-21,-23 IM-240WNE,-23 | | | | TITLE: A.ICE CUBBER ASSY | | | | |
|--|--|--------------------------|-------------|---------------------------------|-----|---------|-----|--|
| INDEX NO. | DESCRIPTION | MATERIAL OR MODEL NUMBER | PART NUMBER | REQ'D NUMBER | | | | |
| | | | | G-2 J-0 | J-1 | J-2 K-0 | K-1 | |
| 7 | FLANGE BOLT (C-TITE) | (240NE,-21,-23) | FTR0408M0 | 34 | 34 | 34 | 34 | |
| | | (240WNE,-23) | | 32 | 32 | 32 | 32 | |
| 10 | ICE GUIDE G | | 4Y7002G01 | 1 | 1 | 1 | 1 | |
| 11 | DRAIN PAN | | 3Y5434G01 | 1 | 1 | 1 | 1 | |
| 12 | DRAIN PIPE | | 4X7117-02 | 1 | 1 | 1 | 1 | |
| 13 | DRAIN TUBE | | 4H2585-01 | 1 | 1 | 1 | 1 | |
| 14 | HINGE (RIGHT) | | 4H2583-01 | 1 | 1 | 1 | 1 | |
| 15 | HINGE (LEFT) | | 4H2584-01 | 1 | 1 | 1 | 1 | |
| 16 | HINGE SPACER (A) | | 4H0605-01 | 1 | 1 | 1 | 1 | |
| 17 | HINGE SPACER (B) | | 4H0605-02 | 1 | 1 | 1 | 1 | |
| 18 | HEX HEAD BOLT (SPRING WASHER AND FLAT WASHER) | | FBK0620S0 | 4 | 4 | 4 | 4 | |
| 19 | SLOPE | | 3X4854G01 | 1 | 1 | 1 | 1 | |
| 20 | SPRING | | 4H0823-01 | 1 | 1 | 1 | 1 | |
| 21 | HOOK | | 4H2685-03 | 1 | 1 | 1 | 1 | |
| 22 | WIRING LABEL | | 3Y6692L01 | 1 | 1 | 1 | 1 | |
| 23 | LABEL - GROUND (B) | | 450452-02 | 1 | 1 | 1 | 1 | |
| 24 | TRUSS HEAD MACHINE SCREW | (240NE,-21,-23) | FST0408S0 | 7 | 7 | 7 | 7 | |
| | | (240WNE,-23) | | 8 | 8 | 8 | 8 | |
| 25 | CLAMP | (240NE,-21,-23) | P04381-01 | 8 | 8 | 8 | 8 | |
| | | (240WNE,-23) | | 9 | 9 | 9 | 9 | |
| 26 | CLAMP | (240NE,-21,-23) | P05216-01 | 1 | 1 | 1 | 1 | |
| 27 | REAR PANEL | | 2X0296M01 | 1 | 1 | 1 | 1 | |
| 28 | INSULATION - PIPE | | 4Y2507-01 | 1 | 1 | 1 | 1 | |
| 29 | COVER - PIPE | | 390186M01 | 1 | 1 | 1 | 1 | |
| 30 | INSULATION - TOP PANEL | | 3X9100-01 | 1 | 1 | 1 | 1 | |
| 31 | TOP PANEL | | 1H4765M01 | 1 | 1 | 1 | 1 | |
| 32 | COVER - REAR | (240NE,-21,-23) | 4Y7004M01 | 1 | 1 | 1 | 1 | |
| 33 | CONNECTOR | | P00246-01 | 1 | 1 | 1 | 1 | |
| 34 | POWER SUPPLY CORD | EU-PLUG(16A) | P03362-01 | 1 | 1 | 1 | 1 | |
| | | UK-PLUG(13A) | P03363-01 | 1 | 1 | 1 | 1 | |
| | | AS-PLUG(15A) | P03364-01 | 1 | 1 | 1 | 1 | |
| 36 | COVER - CONNECTOR | | 2X0271P01 | 1 | 1 | 1 | 1 | |
| 37 | NAME PLATE | | N/A | 1 | 1 | 1 | 1 | |
| 38 | SPRING WASHER | | FWSP04S0 | 3 | 3 | 3 | 3 | |
| 39 | STARTING DEVICE | | P01856-01 | 1 | 1 | 1 | 1 | |
| 40 | S-TITE TRUSS HEAD SCREW | | FTS0408M0 | 1 | 1 | 1 | 1 | |



DETAILS OF A







| MODEL: IM-240NE,-21,-23 IM-240WNE,-23 | | | TITLE: B.REFRIGERATION ASSY | | | | | | |
|--|---------------------------------|--------------------------|------------------------------------|--------------|------------|-----------------------|-----------------------|-----|---|
| INDEX NO. | DESCRIPTION | MATERIAL OR MODEL NUMBER | PART NUMBER | REQ'D NUMBER | | | | | |
| | | | | A-1 B-1 | B-2 B-3 | B-4 F-0 (Note1) | F-0 (Note2) G-0 | G-1 | |
| 1 | BASE | (240NE,-21,-23) | 3Y5423G01 | 1 | - | - | - | - | |
| | | | 3Y6768G01 | - | 1 | 1 | 1 | 1 | |
| | | (240WNE,-23) | 3Y5539G01 | 1 | - | - | - | - | |
| | | | 3Y6772G01 | - | 1 | 1 | 1 | 1 | |
| 2 | COMPRESSOR | | 4A1581-01 | 1 | - | - | - | - | |
| | | | P01855-01 | - | 1 | 1 | 1 | 1 | |
| 3 | MOTOR PROTECTOR | | 4A1581F01 | 1 | 1 | 1 | 1 | 1 | |
| 4 | GROMMET | | 434922-02 | 4 | - | - | - | - | |
| | RUBBER GROMMET | | P01858-01 | - | 4 | 4 | 4 | 4 | |
| 5 | SPACER | | 434921-01 | 4 | - | - | - | - | |
| | SLEEVE | | P01859-01 | - | 4 | 4 | 4 | 4 | |
| 6 | BOLT | | 436206-04 | 4 | - | - | - | - | |
| | | | 436206-03 | - | 4 | 4 | 4 | 4 | |
| 7 | CONDENSER | (240NE,-21,-23) | P03307-01 | 1 | 1 | 1 | 1 | 1 | |
| 8 | FLANGE BOLT (C-TITE) | (240NE,-21,-23) | FTR0408M0 | 8 | 8 | 8 | 8 | 8 | |
| | | (240WNE,-23) | | 6 | 6 | 6 | 6 | 6 | |
| 9 | SHROUD | (240NE,-21,-23) | 2H9947M01 | 1 | 1 | 1 | 1 | 1 | |
| 10 | PLATE - COND | (240NE,-21,-23) | 4Y6996M01 | 1 | - | - | - | - | |
| | | | 4Y7848M01 | - | 1 | 1 | 1 | 1 | |
| 11 | TRUSS HEAD TAPPING SCREW T2 | (240WNE,-23) | FT20408F0 | 4 | 4 | 4 | 4 | 4 | |
| 12 | FAN MOTOR | (240NE,-21,-23) | P02545-01 | 1 | 1 | 1 | 1 | 1 | |
| 13 | BRACKET - FM | (240NE,-21,-23) | 3Y5075M01 | 1 | 1 | 1 | 1 | 1 | |
| 14 | HEX HEAD BOLT | (240NE,-21,-23) | FBK0408F0 | 5 | 5 | 5 | 5 | 5 | |
| | (SPRING WASHER AND FLAT WASHER) | | | | | | | | |
| 15 | TIE | (240NE,-21,-23) | 7920-0002 | 2 | 2 | 2 | 2 | 2 | |
| 16 | HEX HEAD BOLT | (240NE,-21,-23) | FBK0510S0 | 4 | 4 | 4 | 4 | 4 | |
| | (SPRING WASHER AND FLAT WASHER) | | | | | | | | |
| 17 | EVAPORATOR | | 2H7526G02 | 1 | 1 | 1 | 1 | 1 | |
| | | | (240NE-21) | 208205G04 | - | 1 | 1 | 1 | 1 |
| | | | (240NE-23)(240WNE-23) | 2H1833G03 | 1 | 1 | 1 | 1 | 1 |
| 18 | SCREW EVAPORATOR | | 4Y4922M02 | 4 | 4 | 4 | 4 | 4 | |
| | | | (240NE-21,-23)(240WNE-23) | 4Y4922M03 | 4 | 4 | 4 | 4 | 4 |
| 19 | COLLAR | | 3H3879-01 | 4 | 4 | 4 | 4 | 4 | |
| 20 | WASHER | | 4H0777-01 | 4 | 4 | 4 | 4 | 4 | |
| 21 | FLANGE NUT | | FNHF06S0 | 4 | 4 | 4 | 4 | 4 | |
| 22 | TEE | | 430608-01 | 1 | 1 | 1 | 1 | 1 | |
| 23 | EXPANSION VALVE | | P01874-01 | 1 | 1 | 1 | 1 | 1 | |

| MODEL: IM-240NE,-21,-23 IM-240WNE,-23 | | | | TITLE: B.REFRIGERATION ASSY | | | | |
|--|------------------------------|--------------------------|-------------|------------------------------------|------------|-----------------------|-----------------------|-----|
| INDEX NO. | DESCRIPTION | MATERIAL OR MODEL NUMBER | PART NUMBER | REQ'D NUMBER | | | | |
| | | | | A-1 B-1 | B-2 B-3 | B-4 F-0 (Note1) | F-0 (Note2) G-0 | G-1 |
| 24 | VALVE COVER | | 3Y3051P01 | 1 | 1 | 1 | 1 | 1 |
| 25 | CLAMP | | P00752-01 | 2 | 2 | 2 | 2 | 2 |
| 26 | COPPER TUBE(D) - HIGH SIDE | | 3Y5424G01 | 1 | 1 | 1 | 1 | 1 |
| 27 | COPPER TUBE(C) - HOT GAS | | 3Y5425G01 | 1 | 1 | 1 | 1 | 1 |
| 28 | COPPER TUBE(A) - LOW SIDE | | 3Y5426G01 | 1 | 1 | 1 | 1 | 1 |
| 29 | COPPER TUBE(A) - HIGH SIDE | (240NE,-21,-23) | 4Y6992M01 | 1 | - | - | - | - |
| | | | 4Y7844M01 | - | 1 | 1 | 1 | 1 |
| 30 | TEE | (240NE,-21,-23) | 420041-11 | 1 | 1 | 1 | 1 | 1 |
| | | (240WNE,-23) | 420041-09 | 1 | 1 | 1 | 1 | 1 |
| 31 | COPPER TUBE(A-2) - HIGH SIDE | (240NE,-21,-23) | 4Y6993M01 | 1 | - | - | - | - |
| | | | 4Y7843M01 | - | 1 | 1 | 1 | 1 |
| | | (240WNE,-23) | 4Y7079M01 | 1 | - | - | - | - |
| | | | 4Y7834M01 | - | 1 | 1 | 1 | 1 |
| 32 | COPPER TUBE(B) - HIGH SIDE | (240NE,-21,-23) | 4Y6994G01 | 1 | - | - | - | - |
| | | | 4Y7845G01 | - | 1 | 1 | 1 | 1 |
| | | (240WNE,-23) | 4Y7080M01 | 1 | 1 | 1 | 1 | 1 |
| 33 | TEE | (240NE,-21,-23) | 4Y4060Z01 | 1 | 1 | 1 | 1 | 1 |
| | | (240WNE,-23) | | 2 | 2 | 2 | 2 | 2 |
| 34 | DRIER | | 458776-01 | 1 | 1 | 1 | 1 | 1 |
| 35 | HEAT EXCHANGER | (240NE,-21,-23) | 2X0289G01 | 1 | - | - | - | - |
| | | | 2X1258G01 | - | 1 | 1 | 1 | 1 |
| | | (240WNE,-23) | 2X0364G01 | 1 | - | - | - | - |
| | | | 2X1267G01 | - | 1 | 1 | 1 | 1 |
| 36 | COPPER TUBE(B2) - HIGH SIDE | (240NE,-21,-23) | 4Y7057M01 | 1 | - | - | - | - |
| | | | 4Y7846M01 | - | 1 | 1 | 1 | 1 |
| 37 | HOT GAS VALVE | | P04242-01 | 1 | 1 | 1 | 1 | 1 |
| 38 | STRAINER | | P00812-01 | 1 | 1 | 1 | 1 | 1 |
| 39 | COPPER TUBE(A) - HOT GAS | (240NE,-21,-23) | 3Y5427M01 | 1 | - | - | - | - |
| | | | 4Y7847M01 | - | 1 | 1 | 1 | 1 |
| | | (240WNE,-23) | 4Y7082M01 | 1 | - | - | - | - |
| | | | 4Y7835M01 | - | 1 | 1 | 1 | 1 |
| 40 | COPPER TUBE(B) - HOT GAS | (240NE,-21,-23) | 2X0290G01 | 1 | - | - | - | - |
| | | | 2X1259G01 | - | 1 | 1 | 1 | 1 |
| 41 | PROCESS TUBE | | 4Y0273-01 | 1 | 1 | 1 | 1 | 1 |
| 42 | COPPER TUBE(G) - PROCESS | (240NE,-21,-23) | 3Y5508G01 | 1 | - | - | - | - |
| | | | 3Y6767G01 | - | 1 | 1 | 1 | 1 |
| | | (240WNE,-23) | 3Y5534G01 | 1 | - | - | - | - |
| | | | 3Y6759G01 | - | 1 | 1 | 1 | 1 |

| MODEL: IM-240NE,-21,-23 IM-240WNE,-23 | | | | TITLE: B.REFRIGERATION ASSY | | | | |
|--|----------------------------|--------------------------|-------------|------------------------------------|------------|-----------------------|-----------------------|-----|
| INDEX NO. | DESCRIPTION | MATERIAL OR MODEL NUMBER | PART NUMBER | REQ'D NUMBER | | | | |
| | | | | A-1 B-1 | B-2 B-3 | B-4 F-0 (Note1) | F-0 (Note2) G-0 | G-1 |
| 43 | INSULATION TUBE | (240NE,-21,-23) | H71323070 | 1 | 1 | 1 | 1 | 1 |
| 44 | WIRE SADDLE | (240NE,-21,-23) | 428060-02 | 1 | 1 | 1 | 1 | 1 |
| 45 | TIE | (240NE,-21,-23) | P05042-01 | 2 | - | - | - | - |
| | | | | - | 1 | 1 | 1 | 1 |
| | | (240WNE,-23) | | 1 | 1 | 1 | 1 | 1 |
| 46 | CLIP | | 452254-02 | 2 | 2 | 2 | 2 | 2 |
| 47 | INSULATION | | 4X8643-01 | 1 | 1 | 1 | 1 | 1 |
| 48 | TIE | (240NE,-21,-23) | 7920-0003 | 3 | 3 | 3 | 3 | 3 |
| | | (240WNE,-23) | | 9 | - | - | - | - |
| | | | | - | 10 | 10 | 10 | 10 |
| 49 | HOLDER - THERMISTOR | | 315479-01 | 1 | 1 | 1 | 1 | 1 |
| 50 | TRUSS HEAD TAPPING SCREW | (240NE,-21,-23) | FTS0408M0 | 1 | 1 | 1 | 1 | 1 |
| | (S-TITE) | (240WNE,-23) | | 5 | 5 | 5 | 5 | 5 |
| 51 | THERMISTOR(G) - FILTER | (240NE,-21,-23) | 4Y4859G01 | 1 | 1 | 1 | 1 | 1 |
| 52 | ALUMINUM TAPE | (240NE,-21,-23) | 1H4761-01 | 1 | - | - | - | - |
| | | | 1H5213Z01 | - | 1 | 1 | 1 | 1 |
| 53 | CLIP - THERMISTOR | (240NE,-21,-23) | 4R2938-01 | 1 | 1 | 1 | 1 | 1 |
| 54 | BRACKET CONDENSER | (240WNE,-23) | 425490-01 | 2 | 2 | 2 | 2 | 2 |
| 55 | CONDENSER - WATER COOLED | (240WNE,-23) | 103099G01 | 1 | 1 | 1 | 1 | 1 |
| 56 | CLAMP(B) - CONDENSER | (240WNE,-23) | 4H0622-01 | 4 | 4 | 4 | 4 | 4 |
| 57 | PIPE(A-1) - HIGH SIDE | (240WNE,-23) | 3Y5531M01 | 1 | - | - | - | - |
| | | | 4Y7836M01 | - | 1 | 1 | 1 | 1 |
| 58 | BRACKET - WATER REGURATOR | (240WNE,-23) | 4X5632-01 | 1 | 1 | 1 | 1 | 1 |
| 59 | WATER REGULATOR | (240WNE,-23) | P04025-01 | 1 | 1 | 1 | 1 | 1 |
| 60 | PAN HEAD SCREW | (240WNE,-23) | FSP0406S0 | 2 | 2 | 2 | 2 | 2 |
| 61 | COPPER TUBE (B) - HOT GAS | (240WNE,-23) | 2X0365G01 | 1 | 1 | 1 | 1 | 1 |
| 62 | TEE | (240WNE,-23) | 420041-05 | 1 | 1 | 1 | 1 | 1 |
| 63 | PRESSURE SWITCH | (240WNE,-23) | 459863-03 | 1 | 1 | 1 | 1 | 1 |
| 64 | NYLON TIE | (240WNE,-23) | 7920-0002 | 2 | 2 | 2 | 2 | 2 |
| 65 | COPPER TUBE(A) - WATER | (240WNE,-23) | 3Y5540G01 | 1 | 1 | 1 | 1 | 1 |
| 66 | COPPER TUBE (B) - WATER | (240WNE,-23) | 3Y5541G01 | 1 | 1 | 1 | 1 | 1 |
| 67 | COPPER TUBE (C) - WATER | (240WNE,-23) | 3Y5542G01 | 1 | 1 | 1 | 1 | 1 |
| 68 | BRACKET - WATER PIPE | (240WNE,-23) | 4Y7086M01 | 1 | 1 | 1 | 1 | 1 |
| 69 | COPPER TUBE(C) - HIGH SIDE | (240WNE,-23) | 4Y7081M01 | 1 | - | - | - | - |
| | | | 4Y7850M01 | - | 1 | 1 | 1 | 1 |
| 70 | TUBE - CAPILLARY | (240WNE,-23) | 4X4276-01 | 1 | 1 | 1 | 1 | 1 |
| 71 | INSULATION - CAP | (240WNE,-23) | H71020A55 | 1 | 1 | 1 | 1 | 1 |
| 72 | FITTING(P) | (240WNE,-23) | 3Y0747-01 | 2 | 2 | 2 | 2 | 2 |

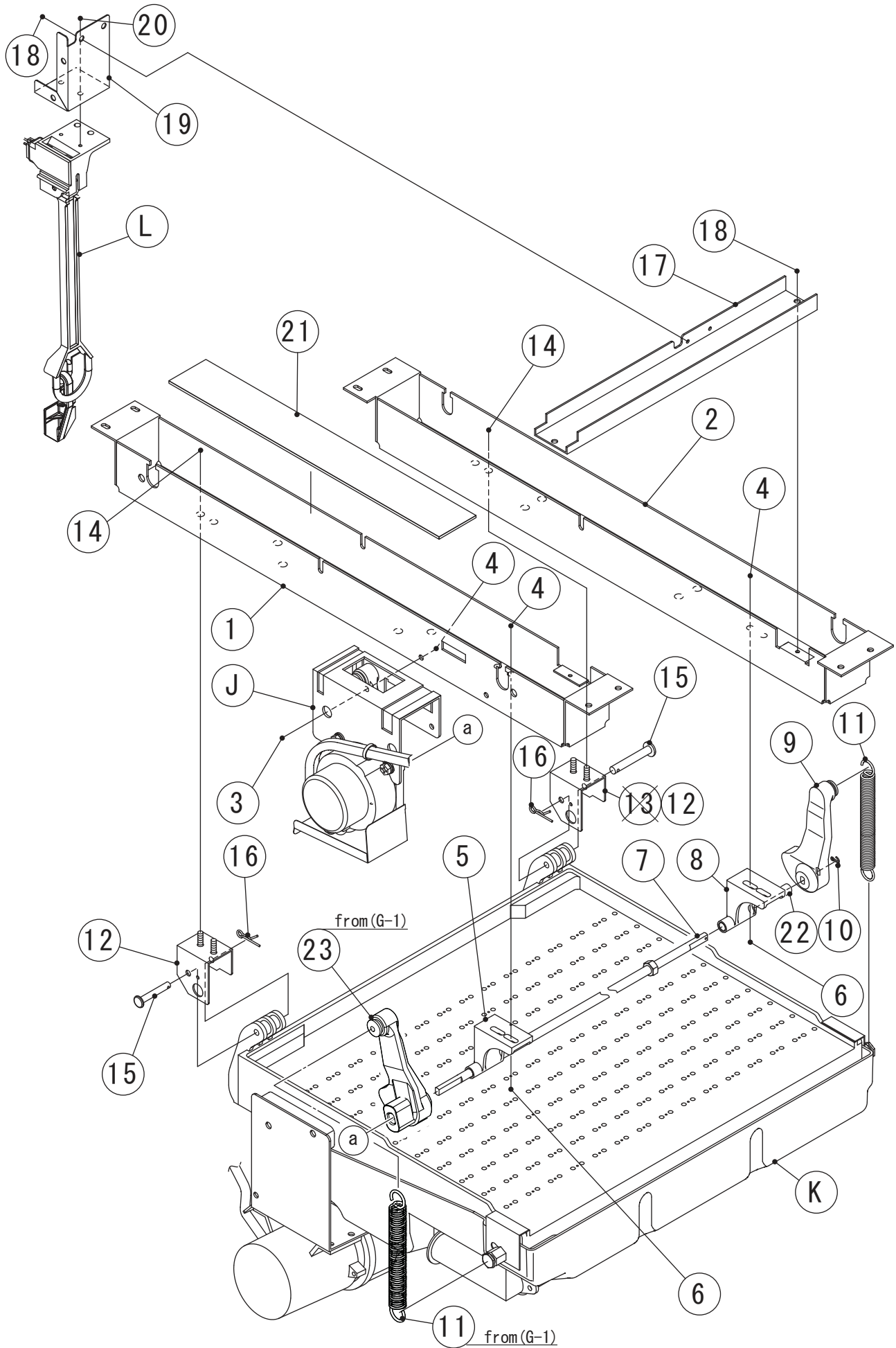
| MODEL: IM-240NE,-21,-23 IM-240WNE,-23 | | | TITLE: B.REFRIGERATION ASSY | | | | | |
|--|-------------------------|--------------------------------|------------------------------------|--------------|------------|-----------------------|-----------------------|-----|
| INDEX NO. | DESCRIPTION | MATERIAL OR MODEL NUMBER | PART NUMBER | REQ'D NUMBER | | | | |
| | | | | A-1 B-1 | B-2 B-3 | B-4 F-0 (Note1) | F-0 (Note2) G-0 | G-1 |
| 73 | NUT (A) - FITTING | (240WNE,-23) | 415713-03 | 2 | 2 | 2 | 2 | 2 |
| 74 | TAPPERED PACKING | (240WNE,-23) | 415715-01 | 2 | 2 | 2 | 2 | 2 |
| 75 | COVER | | P01857-01 | - | 1 | 1 | 1 | 1 |
| 76 | CLAMP | | P01862-01 | - | 1 | 1 | 1 | 1 |
| 77 | GASKET | | P01863-01 | - | 1 | 1 | 1 | 1 |
| 78 | COPPER TUBE(D)-LOW SIDE | | 4Y7817M01 | - | 1 | 1 | 1 | 1 |
| 79 | INSULATION TUBE | (240NE,-21,-23) | H72030400 | - | 1 | 1 | 1 | 1 |
| | | (240WNE,-23) | H72030250 | - | 1 | 1 | 1 | 1 |
| 80 | WASHER | (240NE-21) | 4H1365-06 | - | 4 | 4 | 4 | 4 |
| | | (240NE-23)(240WNE-23) | 4H1365-05 | 4 | 4 | 4 | 4 | 4 |
| 81 | THERMISTOR-CUBE CONTROL | | P00350-04 | - | 1 | 1 | 1 | 1 |

*Note1 : From F00001 to F01133

*Note2 : From F01134

| MODEL: IM-240NE,-21,-23 IM-240WNE,-23 | | | | TITLE: B.REFRIGERATION ASSY | | | | |
|--|---------------------------------|---------------------------|-------------|------------------------------------|-----|---------|---------|-----|
| INDEX NO. | DESCRIPTION | MATERIAL OR MODEL NUMBER | PART NUMBER | REQ'D NUMBER | | | | |
| | | | | G-2 J-0 | J-1 | J-2 K-0 | K-1 L-0 | L-1 |
| 1 | BASE | (240NE,-21,-23) | 3Y6768G01 | 1 | 1 | 1 | 1 | 1 |
| | | (240WNE,-23) | 3Y6772G01 | 1 | 1 | 1 | 1 | 1 |
| 2 | COMPRESSOR | | P01855-01 | 1 | 1 | 1 | 1 | 1 |
| 3 | MOTOR PROTECTOR | | 4A1581F01 | 1 | 1 | 1 | 1 | 1 |
| 4 | RUBBER GROMMET | | P01858-01 | 4 | 4 | 4 | 4 | 4 |
| 5 | SLEEVE | | P01859-01 | 4 | 4 | 4 | 4 | 4 |
| 6 | BOLT | | 436206-03 | 4 | 4 | 4 | 4 | 4 |
| 7 | CONDENSER | (240NE,-21,-23) | P03307-01 | 1 | 1 | 1 | 1 | 1 |
| 8 | FLANGE BOLT (C-TITE) | (240NE,-21,-23) | FTR0408M0 | 8 | 8 | 8 | 8 | 8 |
| | | (240WNE,-23) | | 6 | 6 | 6 | 6 | 6 |
| 9 | SHROUD | (240NE,-21,-23) | 2H9947M01 | 1 | 1 | 1 | 1 | 1 |
| 10 | PLATE - COND | (240NE,-21,-23) | 4Y7848M01 | 1 | 1 | 1 | 1 | 1 |
| 11 | TRUSS HEAD TAPPING SCREW T2 | (240WNE,-23) | FT20408F0 | 4 | 4 | 4 | 4 | 4 |
| 12 | FAN MOTOR | (240NE,-21,-23) | P02545-01 | 1 | 1 | 1 | 1 | 1 |
| 13 | BRACKET - FM | (240NE,-21,-23) | 3Y5075M01 | 1 | 1 | 1 | 1 | 1 |
| 14 | HEX HEAD BOLT | (240NE,-21,-23) | FBK0408F0 | 5 | 5 | 5 | 5 | 5 |
| | (SPRING WASHER AND FLAT WASHER) | | | | | | | |
| 15 | TIE | (240NE,-21,-23) | 7920-0002 | 2 | 2 | 2 | 2 | 2 |
| 16 | HEX HEAD BOLT | (240NE,-21,-23) | FBK0510S0 | 4 | 4 | 4 | 4 | 4 |
| | (SPRING WASHER AND FLAT WASHER) | | | | | | | |
| 17 | EVAPORATOR | | 2H7526G02 | - | - | - | - | - |
| | | | 2X2459G01 | 1 | 1 | 1 | 1 | 1 |
| | | (240NE-21) | 208205G04 | 1 | 1 | 1 | - | - |
| | | | 2X2532G01 | - | - | - | 1 | 1 |
| | | (240NE-23)(240WNE-23) | 2H1833G03 | 1 | 1 | - | - | - |
| | | | 2X2594G01 | - | - | 1 | 1 | 1 |
| (240NE-SN) | 2E0046G01 | - | - | - | - | 1 | | |
| 18 | SCREW EVAPORATOR | | 4Y4922M02 | 4 | 4 | 4 | 4 | 4 |
| | | (240NE-21,-23)(240WNE-23) | 4Y4922M03 | 4 | 4 | 4 | 4 | 4 |
| 19 | COLLAR | | 3H3879-01 | 4 | 4 | 4 | 4 | 4 |
| 20 | WASHER | | 4H0777-01 | 4 | 4 | 4 | 4 | 4 |
| 21 | FLANGE NUT | | FNHF06S0 | 4 | 4 | 4 | 4 | 4 |
| 22 | TEE | | 430608-01 | 1 | 1 | 1 | 1 | 1 |
| 23 | EXPANSION VALVE | | P01874-01 | 1 | 1 | 1 | 1 | 1 |
| 24 | VALVE COVER | | 3Y3051P01 | 1 | 1 | 1 | 1 | 1 |
| 25 | CLAMP | | P00752-01 | 2 | 2 | 2 | 2 | 2 |
| 26 | COPPER TUBE(D) - HIGH SIDE | | 3Y5424G01 | 1 | 1 | 1 | 1 | 1 |
| 27 | COPPER TUBE(C) - HOT GAS | | 3Y5425G01 | 1 | 1 | 1 | 1 | 1 |

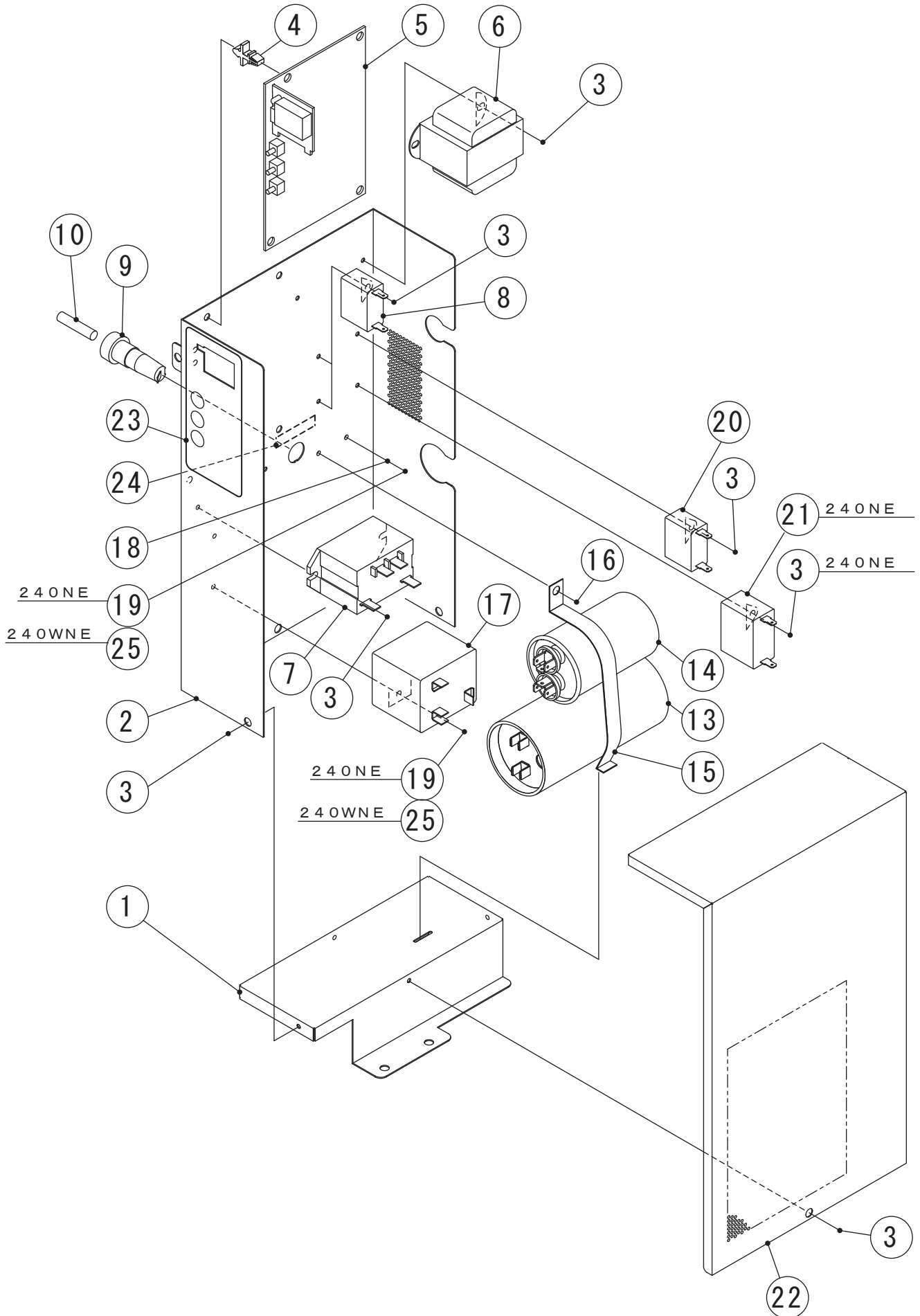
| MODEL: IM-240NE,-21,-23 IM-240WNE,-23 | | | | TITLE: B.REFRIGERATION ASSY | | | | |
|--|-----------------------------------|--------------------------|-------------|------------------------------------|-----|---------|---------|-----|
| INDEX NO. | DESCRIPTION | MATERIAL OR MODEL NUMBER | PART NUMBER | REQ'D NUMBER | | | | |
| | | | | G-2 J-0 | J-1 | J-2 K-0 | K-1 L-0 | L-1 |
| 28 | COPPER TUBE(A) - LOW SIDE | | 3Y5426G01 | 1 | 1 | 1 | 1 | 1 |
| 29 | COPPER TUBE(A) - HIGH SIDE | (240NE,-21,-23) | 4Y7844M01 | 1 | 1 | 1 | 1 | 1 |
| 30 | TEE | (240NE,-21,-23) | 420041-11 | 1 | 1 | 1 | 1 | 1 |
| | | (240WNE,-23) | 420041-09 | 1 | 1 | 1 | 1 | 1 |
| 31 | COPPER TUBE(A-2) - HIGH SIDE | (240NE,-21,-23) | 4Y7843M01 | 1 | 1 | 1 | 1 | 1 |
| | | (240WNE,-23) | 4Y7834M01 | 1 | 1 | 1 | 1 | 1 |
| 32 | COPPER TUBE(B) - HIGH SIDE | (240NE,-21,-23) | 4Y7845G01 | 1 | 1 | 1 | 1 | 1 |
| | | (240WNE,-23) | 4Y7080M01 | 1 | 1 | 1 | 1 | 1 |
| 33 | TEE | (240NE,-21,-23) | 4Y4060Z01 | 1 | 1 | 1 | 1 | 1 |
| | | (240WNE,-23) | | 2 | 2 | 2 | 2 | 2 |
| 34 | DRIER | | 458776-01 | 1 | 1 | 1 | 1 | 1 |
| 35 | HEAT EXCHANGER | (240NE,-21,-23) | 2X1258G01 | 1 | 1 | 1 | 1 | 1 |
| | | (240WNE,-23) | 2X1267G01 | 1 | 1 | 1 | 1 | 1 |
| 36 | COPPER TUBE(B2) - HIGH SIDE | (240NE,-21,-23) | 4Y7846M01 | 1 | 1 | 1 | 1 | 1 |
| 37 | HOT GAS VALVE | | P04242-01 | 1 | 1 | 1 | 1 | 1 |
| 38 | STRAINER | | P00812-01 | 1 | 1 | 1 | 1 | 1 |
| 39 | COPPER TUBE(A) - HOT GAS | (240NE,-21,-23) | 4Y7847M01 | 1 | 1 | 1 | 1 | 1 |
| | | (240WNE,-23) | 4Y7835M01 | 1 | 1 | 1 | 1 | 1 |
| 40 | COPPER TUBE(B) - HOT GAS | (240NE,-21,-23) | 2X1259G01 | 1 | 1 | 1 | 1 | 1 |
| 41 | PROCESS TUBE | | 4Y0273-01 | 1 | 1 | 1 | 1 | 1 |
| 42 | COPPER TUBE(G) - PROCESS | (240NE,-21,-23) | 3Y6767G01 | 1 | 1 | 1 | 1 | 1 |
| | | (240WNE,-23) | 3Y6759G01 | 1 | 1 | 1 | 1 | 1 |
| 43 | INSULATION TUBE | (240NE,-21,-23) | H71323070 | 1 | 1 | 1 | 1 | 1 |
| 44 | WIRE SADDLE | (240NE,-21,-23) | 428060-02 | 1 | 1 | 1 | 1 | 1 |
| 45 | TIE | | P05042-01 | 1 | 1 | 1 | 1 | 1 |
| 46 | CLIP | | 452254-02 | 2 | 2 | 2 | 2 | 2 |
| 47 | INSULATION | | 4X8643-01 | 1 | 1 | 1 | 1 | 1 |
| 48 | TIE | (240NE,-21,-23) | 7920-0003 | 3 | 3 | 3 | 3 | 3 |
| | | (240WNE,-23) | | 10 | 10 | 10 | 10 | 10 |
| 49 | HOLDER - THERMISTOR | | 315479-01 | 1 | 1 | 1 | 1 | 1 |
| 50 | TRUSS HEAD TAPPING SCREW (S-TITE) | (240NE,-21,-23) | FTS0408M0 | 1 | 1 | 1 | 1 | 1 |
| | | (240WNE,-23) | | 5 | 5 | 5 | 5 | 5 |
| 51 | THERMISTOR(G) - FILTER | (240NE,-21,-23) | 4Y4859G01 | 1 | 1 | 1 | 1 | 1 |
| 52 | ALUMINUM TAPE | (240NE,-21,-23) | 1H5213Z01 | 1 | 1 | 1 | 1 | 1 |
| 53 | CLIP - THERMISTOR | (240NE,-21,-23) | 4R2938-01 | 1 | 1 | 1 | 1 | 1 |
| 54 | BRACKET CONDENSER | (240WNE,-23) | 425490-01 | 2 | 2 | 2 | 2 | 2 |
| 55 | CONDENSER - WATER COOLED | (240WNE,-23) | 103099G01 | 1 | 1 | 1 | 1 | 1 |
| 56 | CLAMP(B) - CONDENSER | (240WNE,-23) | 4H0622-01 | 4 | 4 | 4 | 4 | 4 |



| MODEL: IM-240NE,-21,-23 IM-240WNE,-23 | | | TITLE: C.MECHANISM ASSY | | | | | |
|--|--|--------------------------------|--------------------------------|--------------|------------|-----------------------|-----------------------|-----|
| INDEX NO. | DESCRIPTION | MATERIAL OR MODEL NUMBER | PART NUMBER | REQ'D NUMBER | | | | |
| | | | | A-1 B-1 | B-2 B-3 | B-4 F-0 (Note1) | F-0 (Note2) G-0 | G-1 |
| J | ACTUATOR MOTOR ASSY | | 3Y8847A01 | 1 | 1 | 1 | 1 | - |
| | | | 3Y9860A01 | - | - | - | - | 1 |
| K | WATER PAN ASSY | | 1H4689A01 | 1 | 1 | 1 | 1 | 1 |
| L | BIN SWITCH AY | | 3Y5430A01 | 1 | 1 | 1 | 1 | 1 |
| | | | | | | | | |
| 1 | FRAME - FRONT | *Note1 | 3Y5428M02 | 1 | 1 | 1 | - | - |
| | | *Note2 | 3Y5428M01 | - | - | - | 1 | 1 |
| 2 | FRAME - REAR | *Note1 | 3Y5429M02 | 1 | 1 | 1 | - | - |
| | | *Note2 | 3Y5429M01 | - | - | - | 1 | 1 |
| 3 | TRUSS HEAD MACHINE SCREW | | FST0512S0 | 2 | 2 | 2 | 2 | 2 |
| 4 | FLANGE NUT | | FNHF05S0 | 6 | 6 | 6 | 6 | 6 |
| 5 | BEARING - CAM SHAFT | | 3X8307-02 | 1 | 1 | 1 | 1 | 1 |
| 6 | TRUSS HEAD MACHINE SCREW | | FST0516S0 | 4 | 4 | 4 | 4 | - |
| | HEX HEAD BOLT (SPRING WASHER AND FLAT WASHER) | | FBK0516S0 | - | - | - | - | 4 |
| 7 | CAM SHAFT | | 425511G02 | 1 | 1 | 1 | 1 | 1 |
| 8 | BEARING - CAM SHAFT | | 3X8307-02 | 1 | 1 | 1 | 1 | 1 |
| 9 | CAM (B) | | 376546P01 | 1 | 1 | 1 | 1 | 1 |
| 10 | COTTER PIN | | 711S-0212 | 1 | 1 | 1 | 1 | 1 |
| 11 | EXTEN SPRING | | 4H3473-01 | 1 | 1 | 1 | 1 | 2 |
| 12 | BEARING PLATE | | 3H1440G03 | 2 | 2 | 2 | 2 | 2 |
| 13 | BEARING PLATE | | 3H1440G04 | - | - | - | - | - |
| 14 | FLANGE NUT | | FNHF06S0 | 4 | 4 | 4 | 4 | 4 |
| 15 | SHAFT (B) | | 4H1184-02 | 2 | 2 | 2 | 2 | 2 |
| 16 | SNAP PIN | | 715S-0006 | 2 | 2 | 2 | 2 | 2 |
| 17 | FRAME - BIN SW | *Note1 | 4Y6997M02 | 1 | 1 | 1 | - | - |
| | | *Note2 | 4Y6997M01 | - | - | - | 1 | 1 |
| 18 | S-TITE TRUSS HEAD SCREW | | FTS0408M0 | 4 | 4 | 4 | 4 | 4 |
| 19 | BRACKET - BIN SW | | 4Y6998M01 | 1 | 1 | 1 | 1 | 1 |
| 20 | TRUSS HEAD TAPPING SCREW T2 | | FT20410M0 | 2 | 2 | 2 | 2 | 2 |
| 21 | INSULATION - MECHA | | 4Z0766P01 | 1 | 1 | 1 | 1 | 1 |
| 22 | COLLAR | (240NE-21) | 429124-01 | - | 1 | 1 | 1 | 1 |
| 23 | CAM(A) | | 306543G04 | - | - | - | - | 1 |
| | | | | | | | | |

*Note1 : From F00001 to F01133

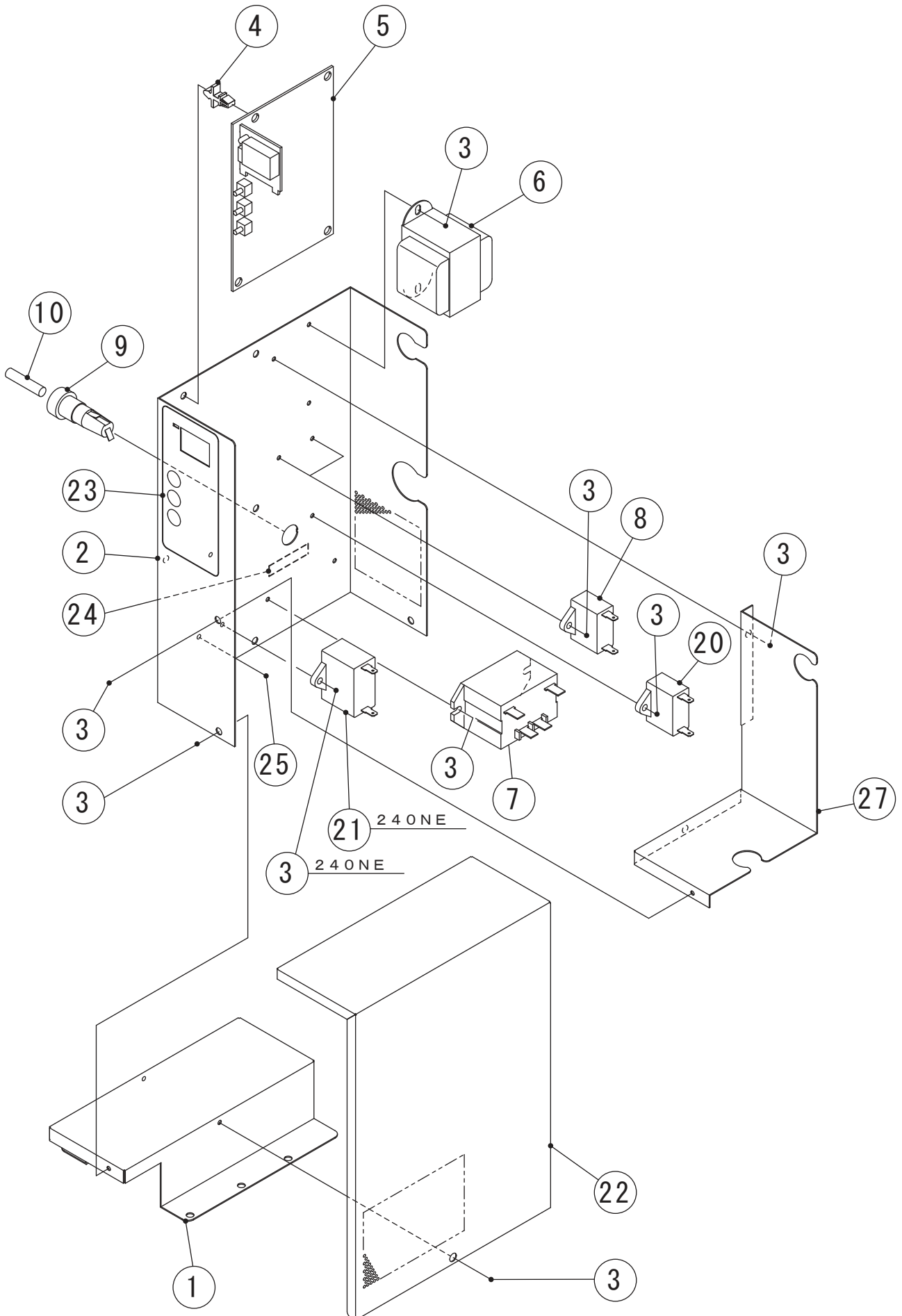
*Note2 : From F01134



IM-240NE(-21,-23)
IM-240WNE(-23)

D. CONTROL BOX ASSY

(B-2) and later



| MODEL: IM-240NE,-21,-23 IM-240WNE,-23 | | | TITLE: D.CONTROL BOX ASSY | | | | | |
|--|-----------------------------|--------------------------------|----------------------------------|--------------|------------|-----------------------|-----------------------|-----|
| INDEX NO. | DESCRIPTION | MATERIAL OR MODEL NUMBER | PART NUMBER | REQ'D NUMBER | | | | |
| | | | | A-1 B-1 | B-2 B-3 | B-4 F-0 (Note1) | F-0 (Note2) G-0 | G-1 |
| 1 | CONTROL BOX B | | 3Y5431M01 | 1 | - | - | - | - |
| | CONTROLBOX - BASE | | 3Y6722M01 | - | 1 | 1 | 1 | 1 |
| 2 | CONTROL BOX - BODY G | | 3Y5432G01 | 1 | - | - | - | - |
| | CONTROL BOX(B) | | 2X1053M01 | - | 1 | - | - | - |
| | | | 2X1251M01 | - | - | 1 | 1 | 1 |
| 3 | TRUSS HEAD TAPPING SCREW T2 | (240NE,-21,-23) | FT20410F0 | 12 | 15 | 15 | 15 | 15 |
| | | (240WNE,-23) | | 11 | 14 | 14 | 14 | 14 |
| 4 | BOARD SUPPORT | | P04204-01 | 4 | 4 | 4 | 4 | 4 |
| 5 | CONTROLLER BOARD | | P01873-01 | 1 | 1 | 1 | 1 | 1 |
| 6 | TRANSFORMER | | P02714-01 | 1 | 1 | 1 | 1 | 1 |
| 7 | POWER RELAY | | P00034-01 | 1 | 1 | 1 | 1 | 1 |
| 8 | CAPACITOR | | P01870-01 | 2 | 2 | 2 | 2 | 2 |
| 9 | FUSE HOLDER | | P00014-01 | 1 | 1 | - | - | - |
| | | | P02829-01 | - | - | 1 | 1 | 1 |
| 10 | FUSE | | P01876-01 | 1 | 1 | - | - | - |
| | | | P04203-01 | - | - | 1 | 1 | 1 |
| 13 | START CAPACITOR | 3535B7C0064A250A5 | 3A0076-14 | 1 | - | - | - | - |
| 14 | CAPACITOR - RUN | | 3A2005-01 | 1 | - | - | - | - |
| 15 | BAND | | 427254-01 | 1 | - | - | - | - |
| 16 | FLANGE BOLT (C-TITE) | | FTR0408M0 | 1 | - | - | - | - |
| 17 | STARTER | | 4A1107-02 | 1 | - | - | - | - |
| 18 | SPRING WASHER | | FWSP04S0 | 1 | - | - | - | - |
| 19 | TRUSS HEAD TAPPING SCREW | (240NE,-23) | FTS0408M0 | 2 | - | - | - | - |
| | (S-TITE) | | | | | | | |
| 20 | CAPACITOR | | P01910-01 | 1 | 1 | 1 | 1 | 1 |
| 21 | CAPACITOR | (240NE,-21,-23) | P01865-01 | 1 | 1 | 1 | 1 | 1 |
| 22 | CONTROL BOX - COVER | | 3Y5371M01 | 1 | - | - | - | - |
| | CONTROL BOX COVER | | 3Y6513M01 | - | 1 | 1 | 1 | 1 |
| 23 | CONTROL LABEL | | 475642L01 | 1 | 1 | 1 | 1 | 1 |
| 24 | LABEL - FUSE | | 466798-01 | 1 | 1 | 1 | 1 | 1 |
| 25 | TRUSS HEAD MACHINE SCREW | | FST0408S0 | 2 | 1 | 1 | 1 | 1 |
| 27 | SEPARATOR - BOX | | 3Y6512M01 | - | 1 | 1 | 1 | 1 |

*Note1 : From F00001 to F01133

*Note2 : From F01134

| MODEL: IM-240NE,-21,-23 IM-240WNE,-23 | | | | TITLE: D.CONTROL BOX ASSY | | | | |
|--|-----------------------------|---------------------------|-------------|----------------------------------|-----|---------|-----|--|
| INDEX NO. | DESCRIPTION | MATERIAL OR MODEL NUMBER | PART NUMBER | REQ'D NUMBER | | | | |
| | | | | G-2 J-0 | J-1 | J-2 K-0 | K-1 | |
| 1 | CONTROL BOX B | | 3Y6722M01 | 1 | 1 | 1 | 1 | |
| 2 | CONTROL BOX(B) | | 2X1251M01 | 1 | 1 | 1 | 1 | |
| 3 | TRUSS HEAD TAPPING SCREW T2 | (240NE,-21,-23) | FT20410F0 | 15 | 15 | 15 | 15 | |
| | | (240WNE,-23) | | 14 | 14 | 14 | 14 | |
| 4 | BOARD SUPPORT | | P04204-01 | 4 | 4 | 4 | 4 | |
| 5 | CONTROLLER BOARD | (240NE,WNE) | P01873-01 | - | - | - | - | |
| | | | P01873-02 | 1 | 1 | 1 | 1 | |
| | | (240NE-21) | P01873-01 | 1 | 1 | 1 | - | |
| | | | P01873-02 | - | - | - | 1 | |
| | | (240NE-23) (240WNE-23) | P01873-01 | 1 | 1 | - | - | |
| | | | P01873-02 | - | - | 1 | 1 | |
| 6 | TRANSFORMER | | P02714-01 | 1 | 1 | 1 | 1 | |
| 7 | POWER RELAY | | P00034-01 | 1 | 1 | 1 | 1 | |
| 8 | CAPACITOR | | P01870-01 | 2 | 2 | 2 | 2 | |
| 9 | FUSE HOLDER | | P02829-01 | 1 | 1 | 1 | 1 | |
| 10 | FUSE | | P04203-01 | 1 | 1 | 1 | 1 | |
| 20 | CAPACITOR | | P01910-01 | 1 | 1 | 1 | 1 | |
| 21 | CAPACITOR | (240NE,-21,-23) | P01865-01 | 1 | 1 | 1 | 1 | |
| 22 | CONTROL BOX - COVER | | 3Y6513M01 | 1 | 1 | 1 | 1 | |
| 23 | CONTROL LABEL | | 475642L01 | 1 | - | - | - | |
| | CONTROL LABEL(A) | | 481284L01 | - | 1 | 1 | 1 | |
| 24 | LABEL - FUSE | | 466798-01 | 1 | 1 | 1 | 1 | |
| 25 | TRUSS HEAD MACHINE SCREW | | FST0408S0 | 1 | 1 | 1 | 1 | |
| 27 | SEPARATOR - BOX | | 3Y6512M01 | 1 | 1 | 1 | 1 | |
| | | | | | | | | |

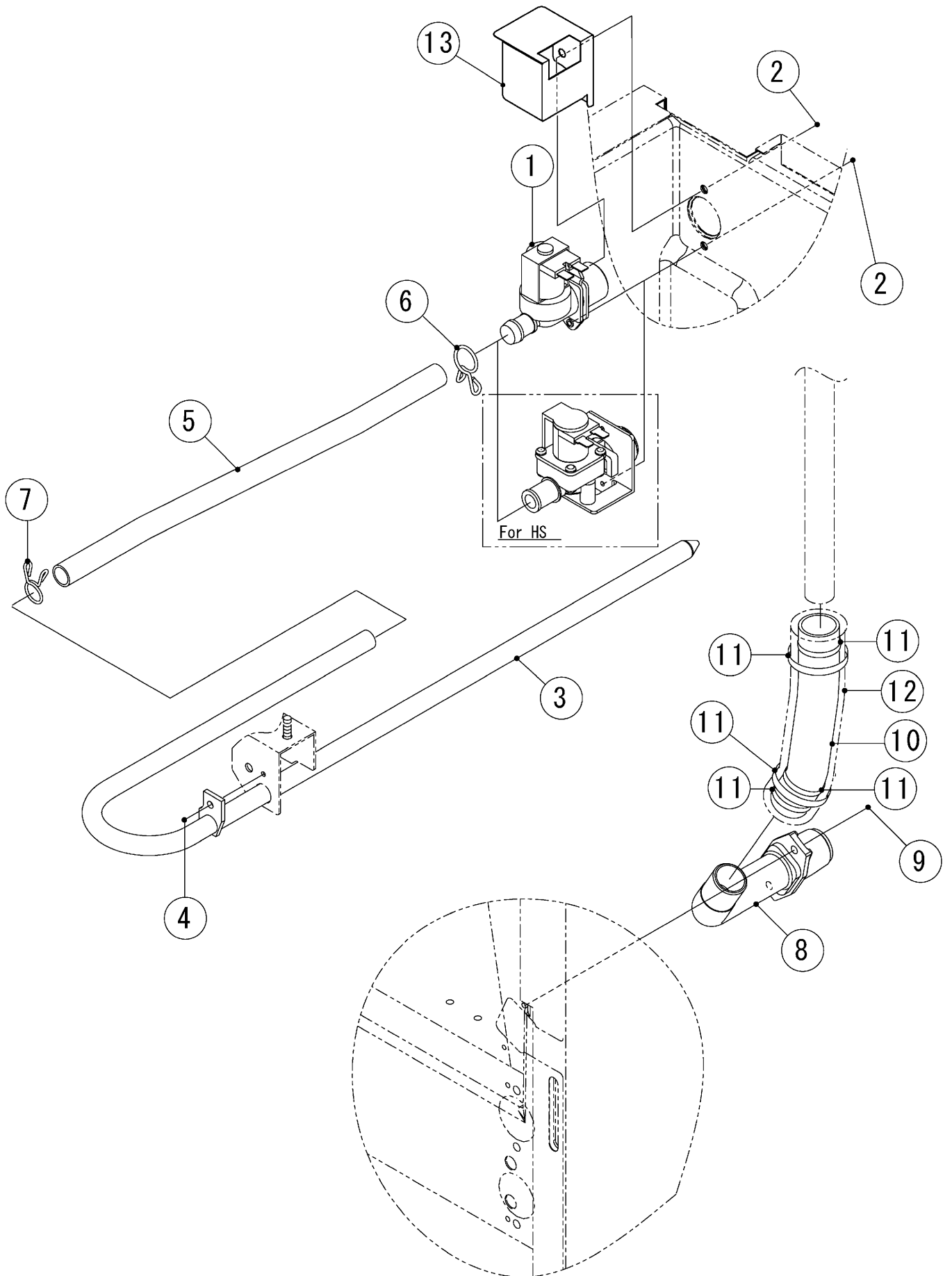
*Note1 : From F00001 to F01133

*Note2 : From F01134

IM-240NE(-21,-23)
IM-240WNE(-23)

E. WATER CIRCUIT ASSY

(A-1) and later



| MODEL: IM-240NE,-21,-23 IM-240WNE,-23 | | | TITLE: E.WATER CIRCUIT ASSY | | | | | |
|--|--|--------------------------------|------------------------------------|--------------|------------|-----------------------|-----------------------|-----|
| INDEX NO. | DESCRIPTION | MATERIAL OR MODEL NUMBER | PART NUMBER | REQ'D NUMBER | | | | |
| | | | | A-1 B-1 | B-2 B-3 | B-4 F-0 (Note1) | F-0 (Note2) G-0 | G-1 |
| 1 | WATER VALVE | | P05355-01 | 1 | 1 | 1 | 1 | 1 |
| | WATER VALVE ASSY | HS ONLY | 4Z0427A01 | 1 | 1 | 1 | 1 | 1 |
| 2 | HEX HEAD BOLT (SPRING WASHER AND FLAT WASHER) | | FBK0410S0 | 2 | 2 | 2 | 2 | 2 |
| 3 | WATER SUPPLY PIPE | | 3H9533G01 | 1 | 1 | 1 | 1 | 1 |
| 4 | TRUSS HEAD MACHINE SCREW | | FST0408S0 | 1 | 1 | 1 | 1 | 1 |
| 5 | SILICONE HOSE | | 4Y6912R02 | 1 | 1 | 1 | 1 | 1 |
| 6 | HOSE CLAMP | | 435934-03 | 1 | 1 | 1 | 1 | 1 |
| 7 | HOSE CLAMP | | 435934-02 | 1 | 1 | 1 | 1 | 1 |
| 8 | DRAIN PIPE | | 3H0394-01 | 1 | 1 | 1 | 1 | 1 |
| 9 | TRUSS HEAD TAPPING SCREW T2 | | FT20410M0 | 2 | 2 | 2 | 2 | 2 |
| 10 | PVC HOSE | | HD2226180 | 1 | 1 | 1 | 1 | 1 |
| 11 | TIE | CV-150 | 7920-0003 | 5 | 5 | 5 | 5 | 5 |
| 12 | INSULATION HOSE - DRAIN | | H72949200 | 1 | 1 | 1 | 1 | 1 |
| 13 | COVER-WATER VALVE | | 3Y6277M01 | 1 | 1 | 1 | 1 | 1 |
| | | HS ONLY | - | - | - | - | - | |
| | | | | | | | | |

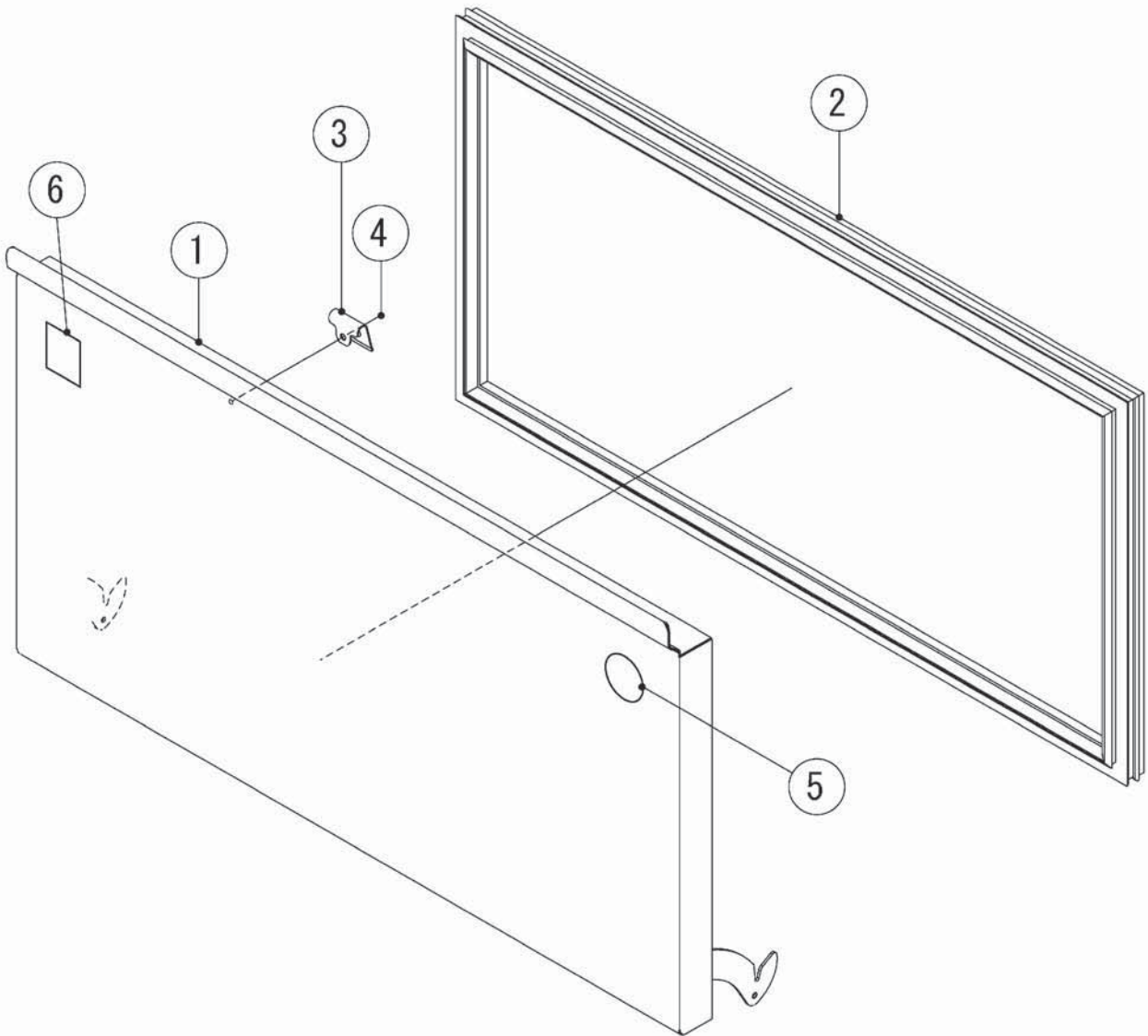
*Note1 : From F00001 to F01133

*Note2 : From F01134

IM-240NE(-21,-23)
IM-240WNE(-23)

F. DOOR ASSY

(A-1) and later



| MODEL: IM-240NE,-21,-23 IM-240WNE,-23 | | | TITLE: F.DOOR ASSY | | | | | |
|--|-----------------------------|--------------------------------|---------------------------|--------------|------------|-----------------------|-----------------------|-----|
| INDEX NO. | DESCRIPTION | MATERIAL OR MODEL NUMBER | PART | REQ'D NUMBER | | | | |
| | | | NUMBER | A-1 B-1 | B-2 B-3 | B-4 F-0 (Note1) | F-0 (Note2) G-0 | G-1 |
| 1 | DOOR G | | 3Y5435G01 | 1 | 1 | 1 | 1 | 1 |
| 2 | DOOR GASKET | | 3Y8291P04 | 1 | 1 | 1 | 1 | 1 |
| 3 | CATCH - SLOPE | | 4X7644-01 | 1 | 1 | 1 | 1 | 1 |
| 4 | TRUSS HEAD TAPPING SCREW T2 | | FT20408S0 | 1 | 1 | 1 | 1 | 1 |
| 5 | LABEL - PENGUIN | (HE) | 468184-01 | 1 | 1 | 1 | 1 | 1 |
| 6 | LABEL - HACCP | | 476519L01 | 1 | 1 | 1 | 1 | 1 |

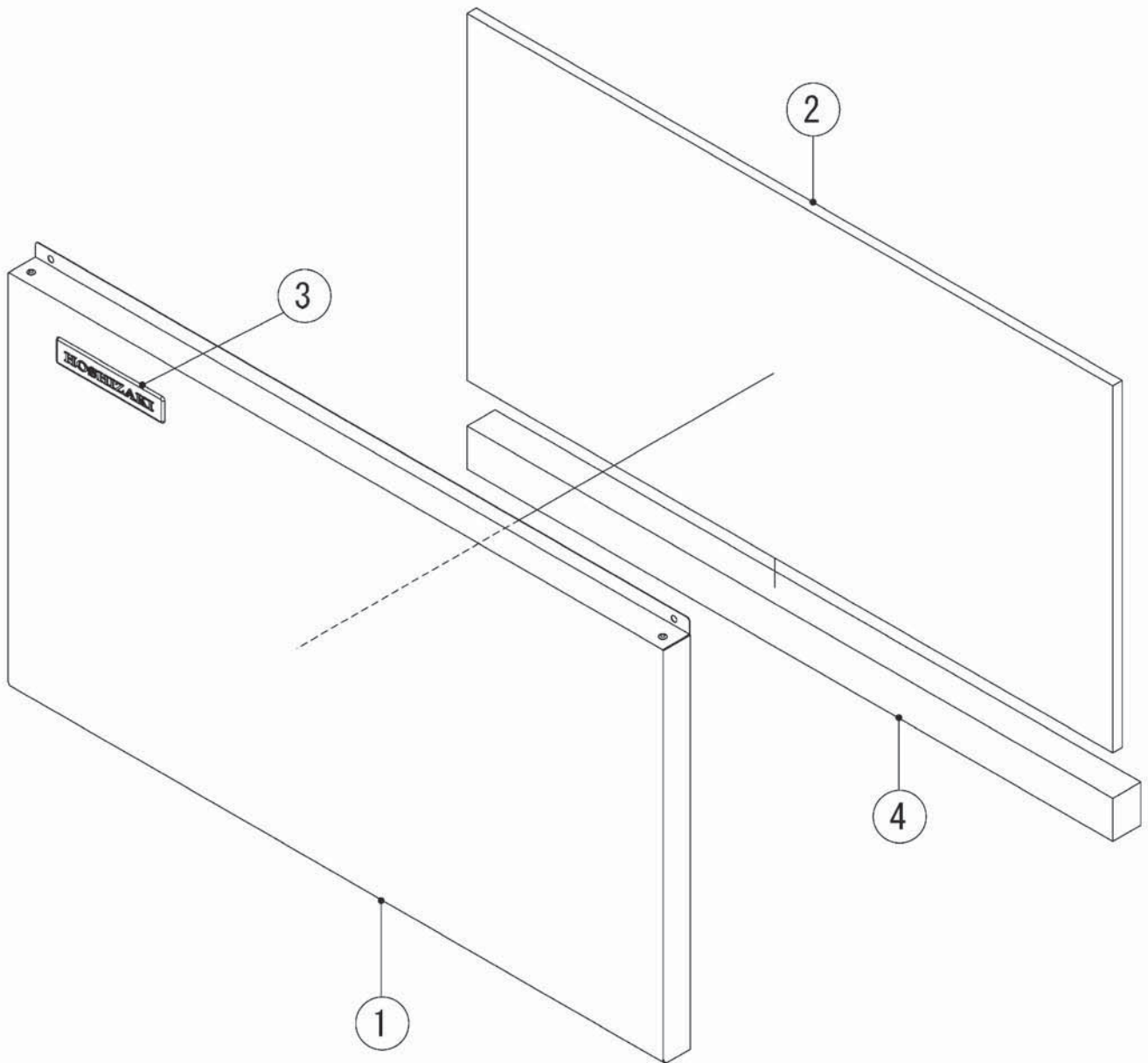
*Note1 : From F00001 to F01133

*Note2 : From F01134

IM-240NE(-21,-23)

IM-240WNE(-23)

G. FRONT COVER UPPER ASSY (A-1) and later



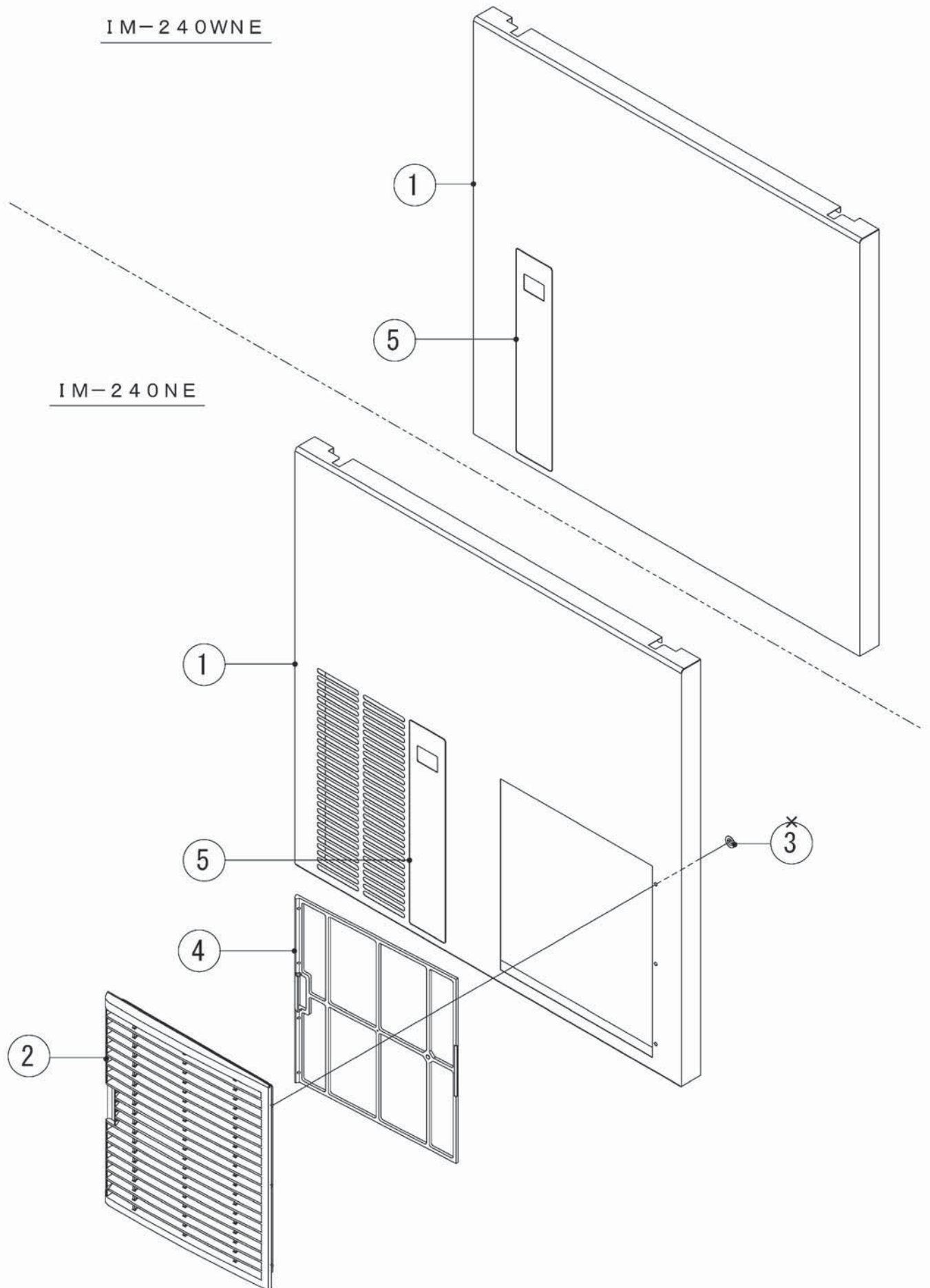
| MODEL: IM-240NE,-21,-23 IM-240WNE,-23 | | | TITLE: G.FRONT COVER UPPER ASSY | | | | | |
|--|-----------------------|--------------------------------|--|--------------|------------|-----------------------|-----------------------|-----|
| INDEX NO. | DESCRIPTION | MATERIAL OR MODEL NUMBER | PART NUMBER | REQ'D NUMBER | | | | |
| | | | | A-1 B-1 | B-2 B-3 | B-4 F-0 (Note1) | F-0 (Note2) G-0 | G-1 |
| 1 | FRONT COVER UPPER | | 3Y5437G01 | 1 | 1 | 1 | 1 | 1 |
| 2 | INSULATION - FRONT(A) | | 4Y7327P01 | 1 | 1 | 1 | 1 | 1 |
| 3 | EMBLEM | (HE) | 340842-01 | 1 | 1 | 1 | 1 | 1 |
| | EMBLEM-GRAM | (GRAM) | 4Y6123L01 | - | - | 1 | 1 | 1 |
| 4 | INSULATION - FRONT(B) | | 4Y7328P01 | 1 | 1 | 1 | 1 | 1 |

*Note1 : From F00001 to F01133

*Note2 : From F01134

IM-240NE(-21,-23)

IM-240WNE(-23) H. FRONT COVER (LOWER) ASSY (A-1) and later



| MODEL: IM-240NE,-21,-23 IM-240WNE,-23 | | | TITLE: H.FRONTCOVER(LOWER) ASSY | | | | | |
|--|-------------------|--------------------------------|--|--------------|------------|-----------------------|-----------------------|-----|
| INDEX NO. | DESCRIPTION | MATERIAL OR MODEL NUMBER | PART NUMBER | REQ'D NUMBER | | | | |
| | | | | A-1 B-1 | B-2 B-3 | B-4 F-0 (Note1) | F-0 (Note2) G-0 | G-1 |
| 1 | FRONT COVER LOWER | (240NE,-21,-23) | 3Y5546G01 | 1 | - | - | - | - |
| | | | 3Y6769G01 | - | 1 | 1 | 1 | 1 |
| | | (240WNE,-23) | 3Y5545G01 | 1 | - | - | - | - |
| | | | 3Y6775G01 | - | 1 | 1 | 1 | 1 |
| 2 | LOUVER A | (240NE,-21,-23) | 1A0547-01 | 1 | - | - | - | - |
| | | | 121931P01 | - | 1 | 1 | 1 | 1 |
| 3 | PUSH RETAINER | (240NE,-23) | 4A2414-01 | 3 | - | - | - | - |
| 4 | AIR FILTER A | (240NE,-21,-23) | 2A2062G01 | 1 | - | - | - | - |
| | | | 262259G01 | - | 1 | 1 | 1 | 1 |
| 5 | OPERATION LABEL | | 375116L01 | 1 | - | - | - | - |
| | | | 375116L04 | - | 1 | 1 | 1 | 1 |

*Note1 : From F00001 to F01133

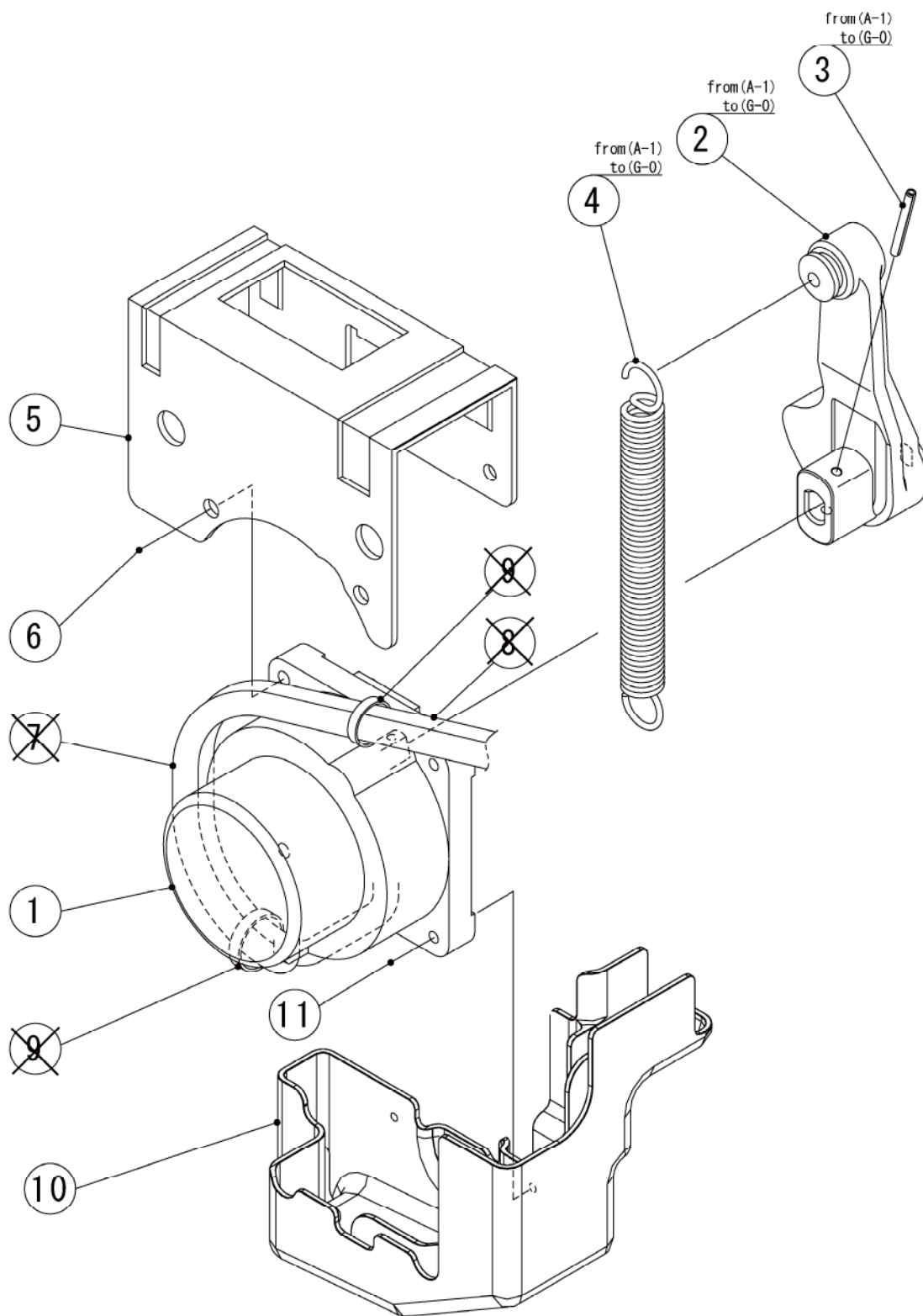
*Note2 : From F01134

IM-240NE(-21,-23)

IM-240WE(-23)

J. ACTUATOR MOTOR ASSY

(A-1) and later



| MODEL: IM-240NE,-21,-23 IM-240WNE,-23 | | | TITLE: J.ACTUATOR MOTOR ASSY | | | | | |
|--|--|--------------------------------|-------------------------------------|--------------|------------|-----------------------|-----------------------|-----|
| INDEX NO. | DESCRIPTION | MATERIAL OR MODEL NUMBER | PART NUMBER | REQ'D NUMBER | | | | |
| | | | | A-1 B-1 | B-2 B-3 | B-4 F-0 (Note1) | F-0 (Note2) G-0 | G-1 |
| 1 | ACTUATOR MOTOR | | 4Y8998G01 | 1 | 1 | 1 | 1 | 1 |
| 2 | CAM(A) | | 306543G03 | 1 | 1 | 1 | 1 | - |
| 3 | SPRING PIN | 3*28 | 712S-0328 | 1 | 1 | 1 | 1 | - |
| 4 | EXTEN SPRING | | 4H3473-01 | 1 | 1 | 1 | 1 | - |
| 5 | BRACKET - AM | | 3Y2924M01 | 1 | 1 | 1 | 1 | 1 |
| 6 | HEX HEAD BOLT (SPRING WASHER AND FLAT WASHER) | | FBK0620S0 | 2 | 2 | 2 | 2 | 2 |
| 7 | TUBE-SILICONE | | 4Y6751Z03 | - | - | - | - | - |
| 8 | TUBE-SILICONE | | 4X8017-07 | - | - | - | - | - |
| 9 | TIE | CV-150 | 7920-0003 | - | - | - | - | - |
| 10 | COVER - ACTUATOR MOTOR | | 1H4881P01 | 1 | 1 | 1 | 1 | 1 |
| 11 | T2 TRUSS HEAD SCREW | | FT20416S0 | 2 | 2 | 2 | 2 | 2 |

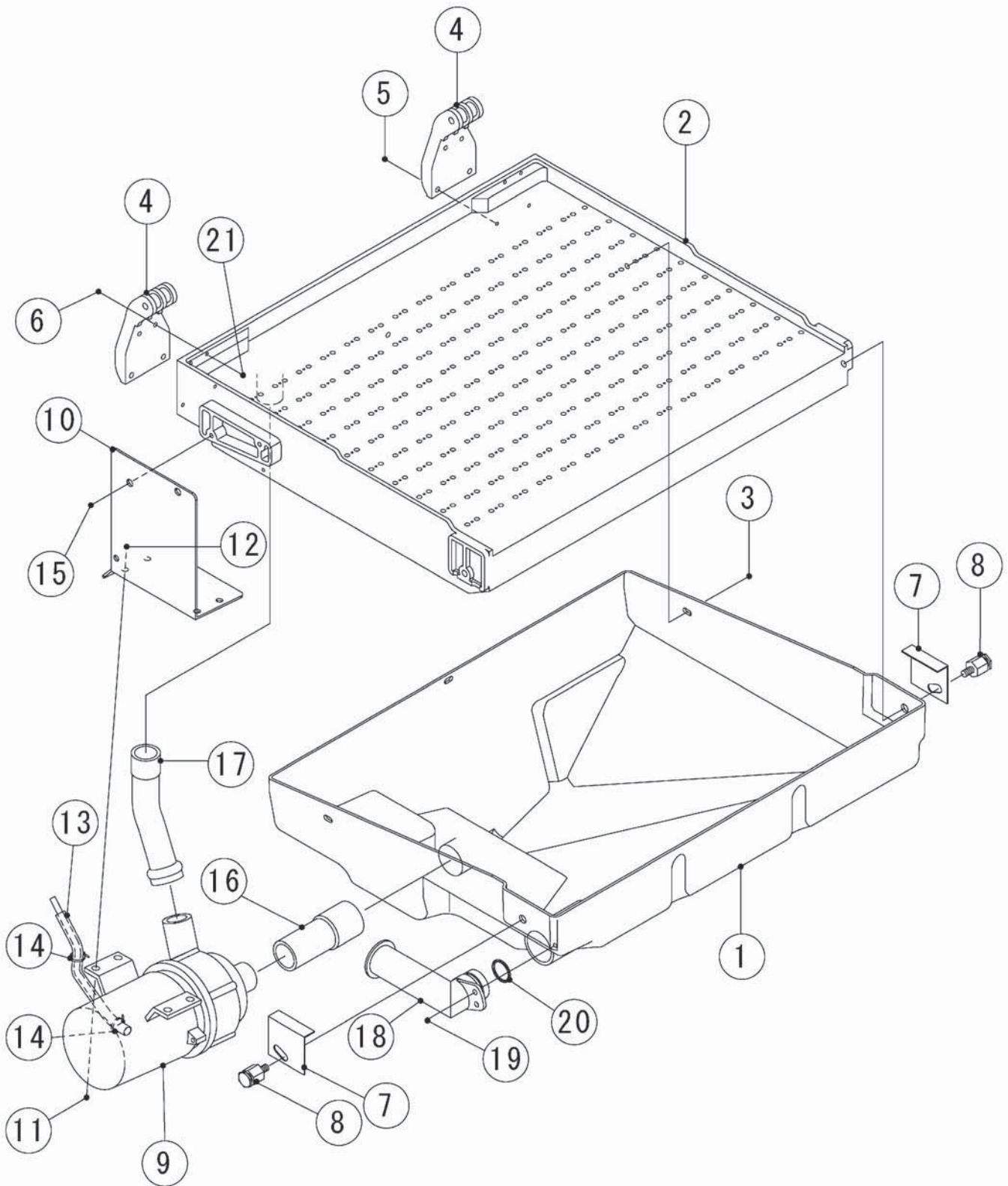
*Note1 : From F00001 to F01133

*Note2 : From F01134

IM-240NE(-21,-23)
IM-240WNE(-23)

K. WATER PAN ASSY

(A-1) and later



| MODEL: IM-240NE,-21,-23 IM-240WNE,-23 | | | TITLE: K.WATER PAN ASSY | | | | | |
|--|---------------------------------|--------------------------------|--------------------------------|--------------|------------|-----------------------|-----------------------|-----|
| INDEX NO. | DESCRIPTION | MATERIAL OR MODEL NUMBER | PART NUMBER | REQ'D NUMBER | | | | |
| | | | | A-1 B-1 | B-2 B-3 | B-4 F-0 (Note1) | F-0 (Note2) G-0 | G-1 |
| 1 | WATER PAN | | 1H0888-02 | 1 | 1 | 1 | 1 | 1 |
| 2 | WATER PLATE | | 208020G01 | 1 | 1 | 1 | 1 | 1 |
| | | (240NE-21) | 208484G01 | - | 1 | 1 | 1 | 1 |
| 3 | TRUSS HEAD TAPPING SCREW T2 | | FT20406M0 | 3 | 3 | 3 | 3 | 3 |
| | TRUSS HEAD SCREW | (240NE-21) | FST0408S0 | - | 3 | 3 | 3 | 3 |
| 4 | WATER PAN HANGER | | 3H2059-01 | 2 | 2 | 2 | 2 | 2 |
| 5 | TRUSS HEAD TAPPING SCREW T2 | | FT20416M0 | 4 | 4 | 4 | 4 | 4 |
| | TRUSS HEAD MACHINE SCREW | (240NE-21) | FST0420S0 | - | 4 | 4 | 4 | 4 |
| 6 | TRUSS HEAD TAPPING SCREW T2 | | FT20425M0 | 4 | 4 | 4 | 4 | 4 |
| | TRUSS HEAD SCREW | (240NE-21) | FST0425S0 | - | 4 | 4 | 4 | 4 |
| 7 | BRACKET | | 402957-01 | 2 | 2 | 2 | 2 | 2 |
| 8 | SCREW SPRING HOOK | | 4H2582G01 | 2 | 2 | 2 | 2 | 2 |
| 9 | PUMP MOTOR | PMX-352BHZ1S | P02715-01 | 1 | 1 | 1 | 1 | 1 |
| 10 | BRACKET - PUMP | | 4Y6617M01 | 1 | 1 | 1 | 1 | 1 |
| 11 | HEX HEAD BOLT | | FBK0412S0 | 4 | 4 | 4 | 4 | 4 |
| | (SPRING WASHER AND FLAT WASHER) | | | | | | | |
| 12 | FLANGE NUT | | FNHF04S0 | 4 | 4 | 4 | 4 | 4 |
| 13 | TUBE - SILICONE | | 4Y6751Z10 | 1 | 1 | 1 | 1 | 1 |
| 14 | NYLON TIE | CV-100 | 7920-0002 | 2 | 2 | 2 | 2 | 2 |
| 15 | TRUSS HEAD TAPPING SCREW T2 | | FT20516M0 | 2 | 2 | 2 | 2 | 2 |
| | TRUSS HEAD SCREW | (240NE-21) | FST0516S0 | - | 2 | 2 | 2 | 2 |
| 16 | SUCTION TUBE | | 4E0006R01 | 1 | 1 | 1 | 1 | 1 |
| 17 | DISCHARGE TUBE | | 4E0008R01 | 1 | 1 | 1 | 1 | 1 |
| 18 | PIPE - DRAIN | | 315530-01 | 1 | 1 | 1 | 1 | 1 |
| 19 | TRUSS HEAD MACHINE SCREW | | FST0410S0 | 1 | 1 | 1 | 1 | 1 |
| 20 | O-RING | | 7611-G025 | 1 | 1 | 1 | 1 | 1 |
| 21 | NUT | (240NE-21) | FNH104S0 | - | 4 | 4 | 4 | 4 |

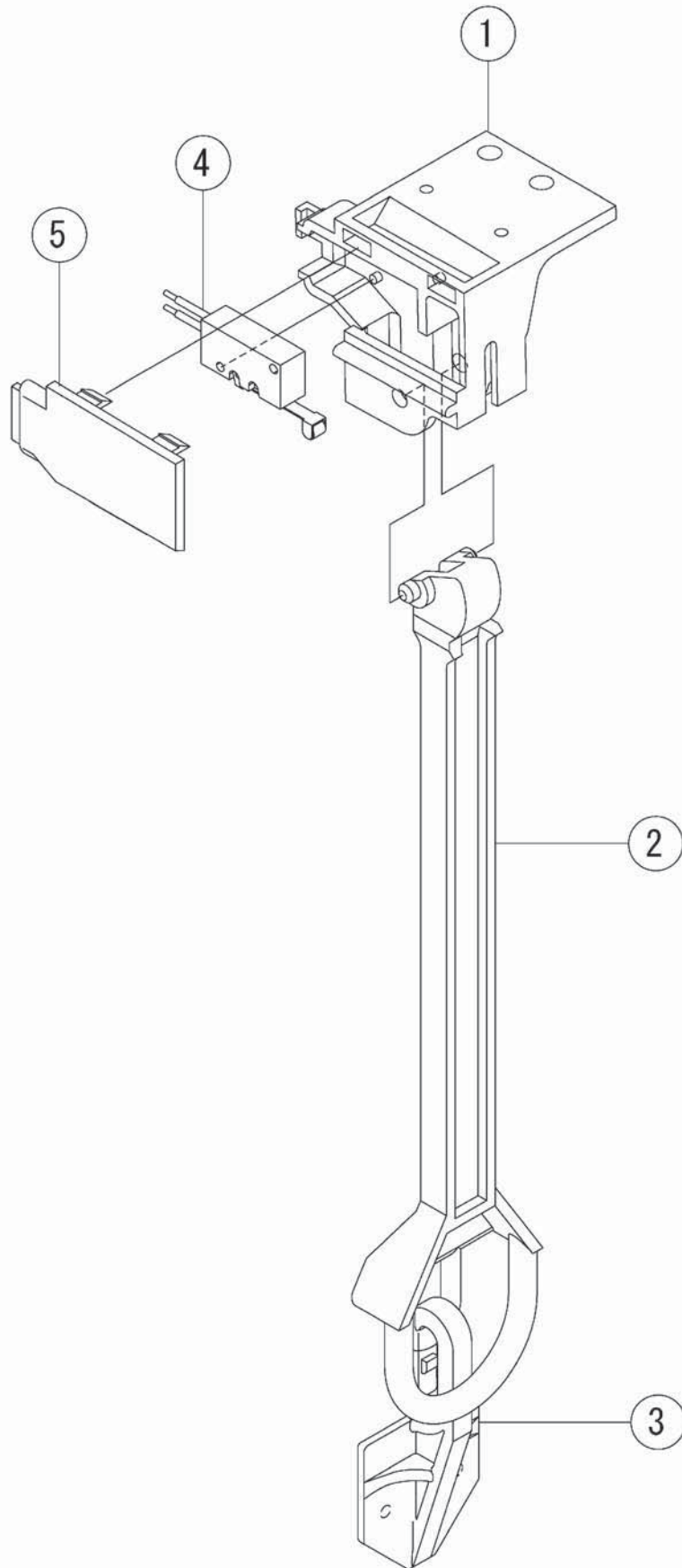
*Note1 : From F00001 to F01133

*Note2 : From F01134

IM-240NE(-21,-23)
IM-240WNE(-23)

L. BIN SWITCH ASSY

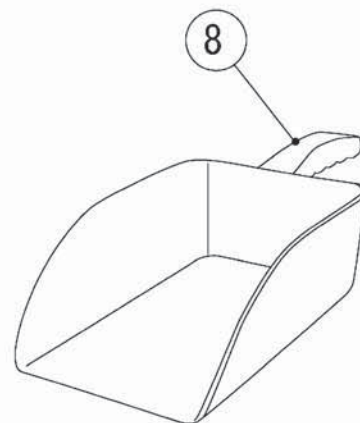
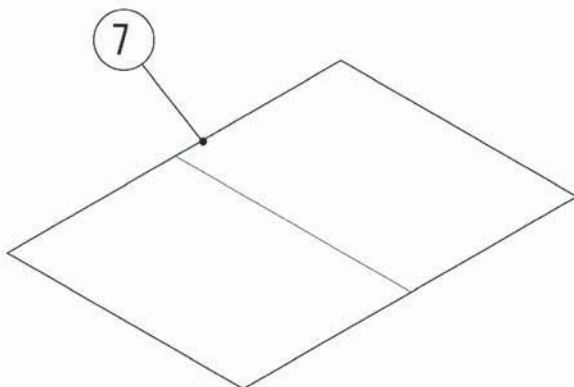
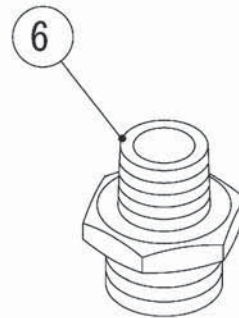
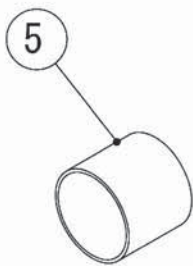
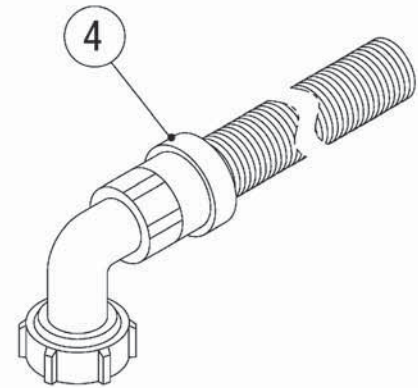
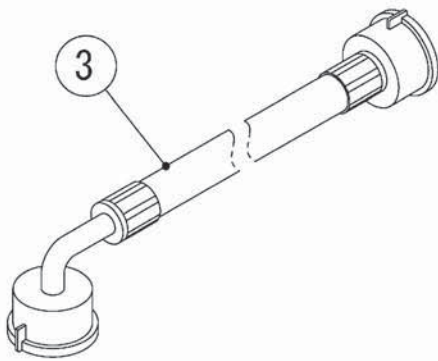
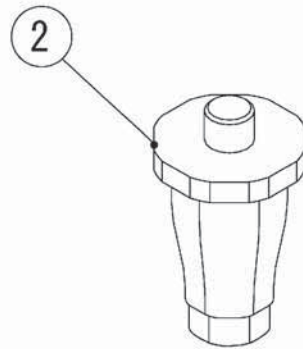
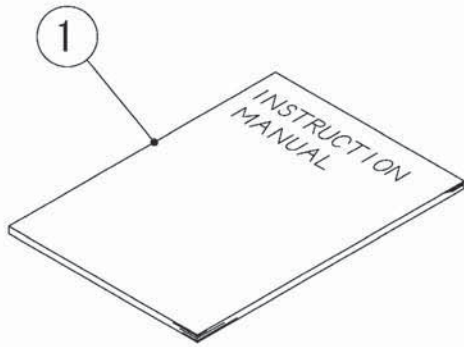
(A-1) and later



| MODEL: IM-240NE,-21,-23 IM-240WNE,-23 | | | TITLE: L.BIN SWITCH AY | | | | | |
|--|------------------|--------------------------------|-------------------------------|--------------|------------|-----------------------|-----------------------|-----|
| INDEX NO. | DESCRIPTION | MATERIAL OR MODEL NUMBER | PART NUMBER | REQ'D NUMBER | | | | |
| | | | | A-1 B-1 | B-2 B-3 | B-4 F-0 (Note1) | F-0 (Note2) G-0 | G-1 |
| 1 | SWICH BOX | | 2H2043-01 | 1 | 1 | 1 | 1 | 1 |
| 2 | SWITCH ACTUATOR | | 3H1369-02 | 1 | 1 | 1 | 1 | 1 |
| 3 | DETECTOR | | 311044-01 | 1 | 1 | 1 | 1 | 1 |
| 4 | MICRO SWITCH | | 456432-02 | 1 | 1 | 1 | 1 | 1 |
| 5 | SWITCH BOX COVER | | 4H8785-01 | 1 | 1 | 1 | 1 | 1 |

*Note1 : From F00001 to F01133

*Note2 : From F01134



| MODEL: IM-240NE,-21,-23 IM-240WNE,-23 | | | TITLE: M.ACCESSORIES | | | | | |
|--|--------------------|--------------------------------|-----------------------------|--------------|------------|-----------------------|-----------------------|-----|
| INDEX NO. | DESCRIPTION | MATERIAL OR MODEL NUMBER | PART NUMBER | REQ'D NUMBER | | | | |
| | | | | A-1 B-1 | B-2 B-3 | B-4 F-0 (Note1) | F-0 (Note2) G-0 | G-1 |
| 1 | INSTRUCTION MANUAL | | L1E1EC203 | 1 | 1 | 1 | 1 | 1 |
| | | (CHINA) | L1E1EC301 | 1 | 1 | 1 | 1 | 1 |
| | | (HL) | L1E1EC113 | - | - | - | 1 | 1 |
| 2 | LEG | SDKO-90H-NS □ SDKO-90HE-NS | 446729-01 | 4 | 4 | 4 | 4 | 4 |
| 3 | INLET HOSE | (240NE,-21,-23) | P03534-01 | 1 | 1 | 1 | 1 | 1 |
| | | (240WNE,-23) | | 2 | 2 | 2 | 2 | 2 |
| 4 | OUTLET HOSE | (240NE,-21,-23) | 452365-01 | 1 | 1 | 1 | 1 | 1 |
| | | (240WNE,-23) | | 2 | 2 | 2 | 2 | 2 |
| 5 | CAP | | 417323-01 | 1 | 1 | 1 | 1 | 1 |
| 6 | ADAPTOR | (240WNE,-23) | 450724-01 | 2 | 2 | 2 | 2 | 2 |
| 7 | INSTRUCTION SHEET | | 121594L01 | 1 | 1 | 1 | 1 | 1 |
| 8 | SCOOP | | P00315-01 | 1 | 1 | 1 | 1 | 1 |

*Note1 : From F00001 to F01133

*Note2 : From F01134

