



MODULAR CUBER

PARTS LIST

[HE]

E1GA,E1GA-D001,D002,D003,D004,D005
E1GA-D100,D101,D102,D103,D200,D202,D203

B-1 NOV. 2012
G-1 APR. 2017
G-2 OCT. 2017
J-1 JUL. 2019
J-2 SEP. 2019
K-1 MAR. 2020
K-2 NOV. 2020
L-2 DEC. 2022

IM-240ANE-HC
IM-240ANE-HC-23
IM-240ANE-HC-32
IM-240ANE-HC-21
IM-240AWNE-HC-SN
IM-240ANE-HC-32-SN
IM-240ANE-HC-21-SN

List of Specifications

IM-240ANE-HC	E1GA	Standard
IM-240ANE-HC-23	E1GA-D001	23mm ICE of IM-240ANE-HC
IM-240ANE-HC-32	E1GA-D002	32mm ICE of IM-240ANE-HC
IM-240ANE-HC-21	E1GA-D003	21mm ICE of IM-240ANE-HC
IM-240ANE-HC	E1GA-D004	SUS316 FRAME of IM-240ANE-HC
IM-240ANE-HC-23	E1GA-D005	23mm ICE, SUS316 FRAME of IM-240ANE-HC
IM-240ANE-HC-SN	E1GA-D200	Ti Evaporator

List of Specifications *Stainless frame standard model

IM-240ANE-HC	E1GA-D100	Standard
IM-240ANE-HC-23	E1GA-D101	23mm ICE of IM-240ANE-HC
IM-240ANE-HC-32	E1GA-D102	32mm ICE of IM-240ANE-HC
IM-240ANE-HC-21	E1GA-D103	21mm ICE of IM-240ANE-HC
IM-240ANE-HC-32-SN	E1GA-D202	32mm ICE of IM-240ANE-HC Ti Evaporator
IM-240ANE-HC-21-SN	E1GA-D203	21mm ICE of IM-240ANE-HC Ti Evaporator

Auxiliary Codes

Auxiliary Code Breakdown

The auxiliary code is the first two characters in the serial number. The first character indicates the year. Years progress or regress in alphabetical order. The series runs from "A" through "V" and the letters "I" and "O" are skipped. The second character indicates significant part changes within a year. Base is "0" and this number advances for each change. In cases where there is a letter in parentheses, this designates the month. This is the last character in the serial number. The series runs from "(A)" through "(M)" and the letter "(I)" is skipped. This designation is only included when identifying a parts change within an auxiliary code.

Note About Ordering Parts

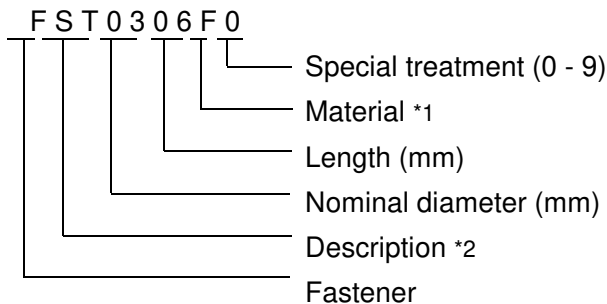
Most assemblies cannot be ordered as complete units; parts in the assemblies generally must be ordered separately.

MARKS LOCATED UNDER THE AUXILIARY CODE

- = Part deleted.

FASTENER PART NUMBER

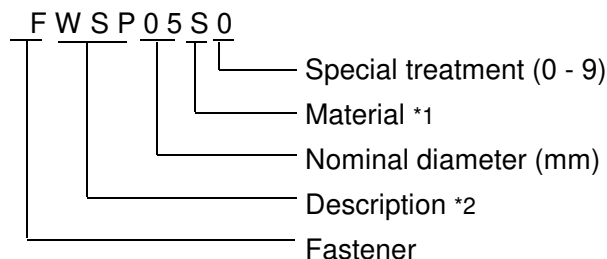
SCREWS



*1

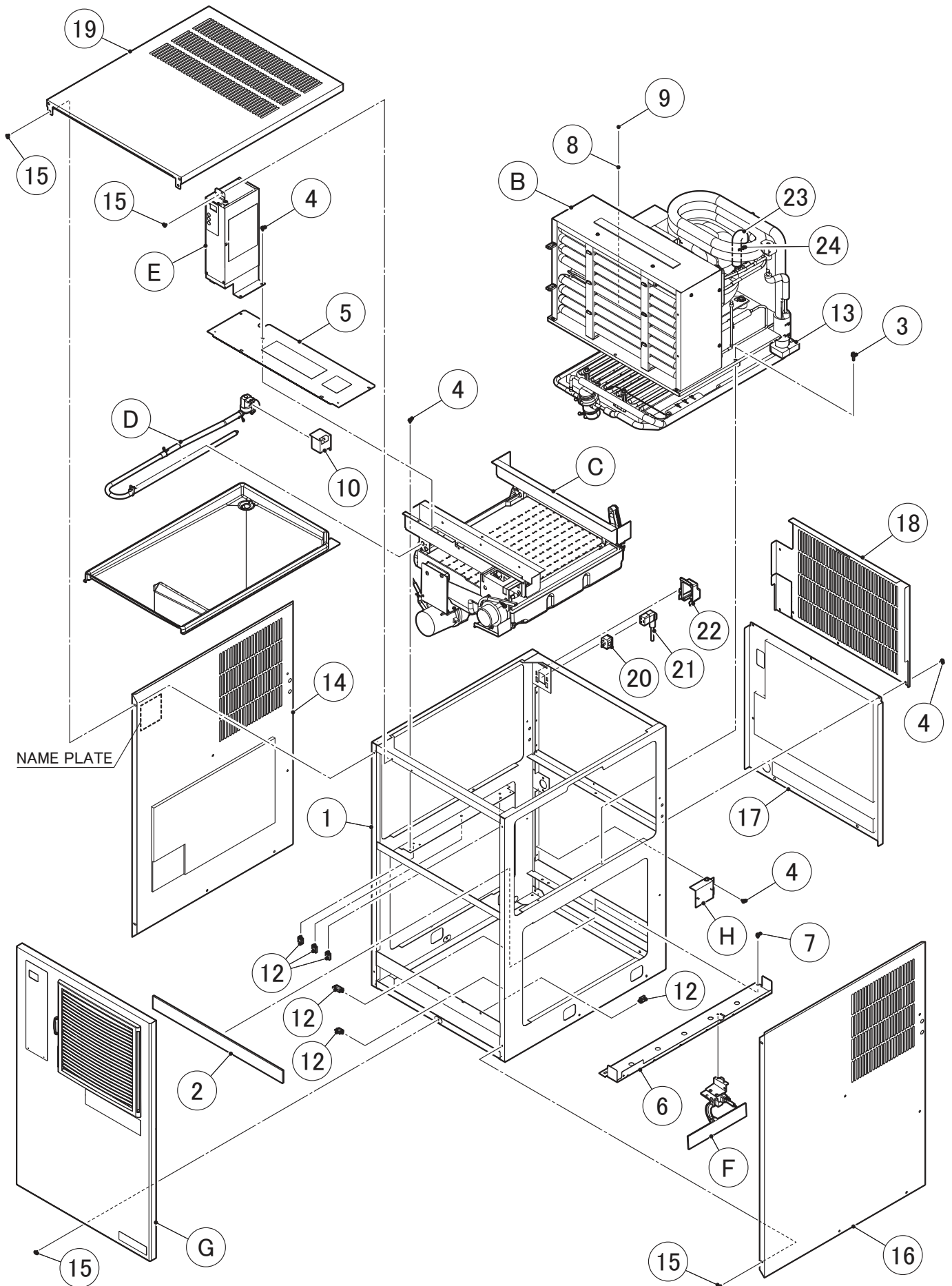
F: Steel
S: Austenitic stainless steel
M: Martensitic stainless steel
B: Copper alloy
P: Polycarbonate
N: Polyamide
V: PVC
A: ABS
X: Polyacetal
L: Aluminum

NUTS & WASHERS



*2

First letter
S: Machine screw
T: Tapping screw
M: Wood screw
B: Bolt
W: Washer
N: Nut



MODEL: IM-240ANE-HC(-21,-23,-32)

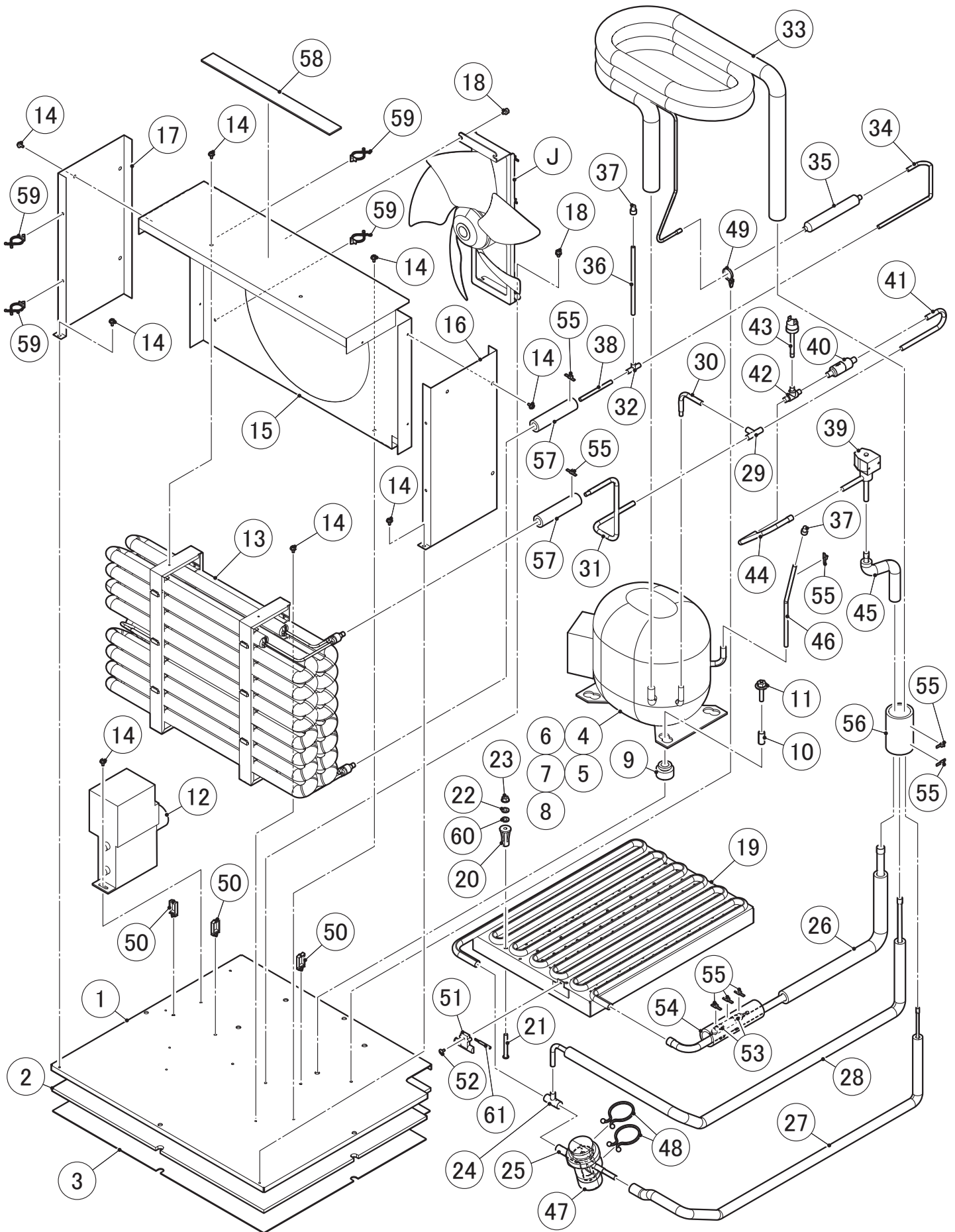
TITLE: A. ICE FLAKER ASSY

INDEX NO.	DESCRIPTION	MATERIAL OR MODEL NUMBER	PART NUMBER	REQ'D NUMBER				
				B-1 G-0	G-1	G-2 J-0	J-1	J-2 K-0
B	REFRIGERATION ASSY		122308A01	1	1	-	-	-
			1H5980A01	-	-	1	1	1
		IM-240ANE-HC-23	122308001	1	1	1	1	-
			1H5980001	-	-	-	-	1
		IM-240ANE-HC-32	122308002	1	1	1	1	1
		IM-240ANE-HC-21	122308003	1	1	1	1	1
C	MECHANISM ASSY		1H4743A01	1	1	1	1	1
		IM-240ANE-HC-32	1H4743004	1	1	1	1	1
		IM-240ANE-HC-21	1H4743002	1	1	1	1	1
D	WATER CIRCUIT ASSY		2X0229A01	1	1	1	1	1
E	CONTROL BOX ASSY	IM-240ANE-HC	122306A01	1	1	-	-	-
			2X3382A01	-	-	1	-	-
			2X3382A03	-	-	-	1	1
		IM-240ANE-HC-23	122306A01	1	1	1	1	-
			2X3382A03	-	-	-	-	1
		IM-240ANE-HC-21 IM-240ANE-HC-32	122306A01	1	1	1	1	1
F	BIN SWITCH-2 ASSY		3Y5468A01	1	1	1	1	1
G	FRONT COVER ASSY		263633A01	1	1	1	1	1
H	GAS SENSOR ASSY		480193A01	1	1	1	1	1
R	ACCESSORIES		A02690-01	1	1	1	1	1
S	OPTIONAL PARTS		OPT-E1CP	1	1	1	1	1
1	UNIT FRAME		1H4740G01	1	1	1	1	1
		(SUS316)	1H5537G01	1	1	1	1	1
2	INSULATION - FRAME (A)		4Y6982P01	1	1	1	1	1
3	HEX HEAD BOLT (SPRING WASHER AND FLAT WASHER)		FBK0620S0	4	4	4	4	4
4	FLANGE BOLT (C-TITE)		FTR0408M0	21	21	21	21	21
5	COVER - FRAME		377461G01	1	1	1	1	1
6	FRAME-BIN SWITCH		3Y5348M01	1	1	1	1	1
7	HEX HEAD BOLT (SPRING WASHER AND FLAT WASHER)		FBK0510S0	2	2	2	2	2
8	TRUSS HEAD SCREW		FST0408S0	1	1	1	1	1
9	SPRING WASHER		FWSP04S0	1	1	1	1	1
10	COVER-WATER VALVE		3Y6277M01	1	1	1	1	1

MODEL: IM-240ANE-HC(-21,-23,-32)

TITLE: A. ICE FLAKER ASSY

INDEX NO.	DESCRIPTION	MATERIAL OR MODEL NUMBER	PART NUMBER	REQ'D NUMBER				
				K-1	K-2			
B	REFRIGERATION ASSY		1H5980A01	1	1			
		IM-240ANE-HC-23	1H5980001	1	1			
		IM-240ANE-HC-32	1H5980003	1	1			
		IM-240ANE-HC-21	1H5980002	1	1			
C	MECHANISM ASSY		1H4743A01	1	-			
			1E0027A01	-	1			
		IM-240ANE-HC-32	1H4743004	1	-			
			1E0027002	-	1			
		IM-240ANE-HC-21	1H4743002	1	-			
			1E0027001	-	1			
D	WATER CIRCUIT ASSY		2X0229A01	1	1			
E	CONTROL BOX ASSY		2X3382A03	1	1			
		IM-240ANE-HC-21	122306A01	-	-			
		IM-240ANE-HC-32	2X3382A03	1	1			
F	BIN SWITCH-2 ASSY		3Y5468A01	1	1			
G	FRONT COVER ASSY		263633A01	1	1			
H	GAS SENSOR ASSY		480193A01	1	1			
R	ACCESSORIES		A02690-01	1	1			
S	OPTIONAL PARTS		OPT-E1CP	1	1			
1	UNIT FRAME		1H4740G01	1	-			
			1E0033G01	-	1			
		(SUS316)	1H5537G01	1	-			
2	INSULATION - FRAME (A)		4Y6982P01	1	1			
3	HEX HEAD BOLT (SPRING WASHER AND FLAT WASHER)		FBK0620S0	4	4			
4	FLANGE BOLT (C-TITE)		FTR0408M0	21	21			
5	COVER - FRAME		377461G01	1	1			
6	FRAME-BIN SWITCH		3Y5348M01	1	-			
			3E0009M01	-	1			
7	HEX HEAD BOLT (SPRING WASHER AND FLAT WASHER)		FBK0510S0	2	2			
8	TRUSS HEAD SCREW		FST0408S0	1	1			
9	SPRING WASHER		FWSP04S0	1	1			
10	COVER-WATER VALVE		3Y6277M01	1	1			
12	WIRE SADDLE		428060-02	6	6			



MODEL: IM-240ANE-HC(-21,-23,-32)

TITLE: B. REFRIGERATION CIRCUIT

INDEX NO.	DESCRIPTION	MATERIAL OR MODEL NUMBER	PART NUMBER	REQ'D NUMBER				
				B-1 G-0	G-1	G-2 J-0	J-1	J-2 K-0
J	FAN MOTOR ASSY		3Y5078A01	1	1	1	1	1
1	BASE		377463G01	1	1	1	1	1
2	INSULATION - BASE		4Y6898P01	1	1	1	1	1
3	PLATE/BASE		4Y0249-01	1	1	1	1	1
4	COMPRESSOR		P02809-01	1	1	1	1	1
5	PROTECTOR		P02812-01	1	1	1	1	1
6	PROTECTOR RETAINER		P02815-01	1	1	1	1	1
7	SCREW		P00840-01	1	1	1	1	1
8	TERMINAL COVER		P02814-01	1	1	1	1	1
9	GROMMET		P00846-01	4	4	4	4	4
10	SPACER		P00847-01	4	4	4	4	4
11	BOLT		436206-03	4	4	4	4	4
12	BOX WITH ELECTRICAL COMPONENTS		P02841-01	1	1	1	1	1
13	CONDENSER ASSY		263639G01	1	1	1	1	1
14	FLANGE BOLT (C-TITE)		FTR0408M0	16	16	16	16	16
15	SHROUD		263619M01	1	1	1	1	1
16	SHROUD (R) - SIDE		263620M01	1	1	1	1	1
17	SHROUD (L) - SIDE		263620M02	1	1	1	1	1
18	HEX HEAD BOLT (SPRING WASHER AND FLAT WASHER)		FBK0510S0	4	4	4	4	4
19	EVAPORATOR		2H7526G02	1	1	-	-	-
			2X2459G01	-	-	1	1	1
		IM-240ANE-HC-23	2H1833G03	1	1	1	1	-
			2X2594G01	-	-	-	-	1
		IM-240ANE-HC-32	2H3631G02	1	1	1	1	1
		IM-240ANE-HC-21	208205G04	1	1	1	1	1
20	COLLAR		3H3879-01	4	4	4	4	4
21	SCREW EVAPORATOR		4Y4922M02	4	4	4	4	4
		IM-240ANE-HC-23 IM-240ANE-HC-21	4Y4922M03	4	4	4	4	4
22	WASHER		4H0777-01	4	4	4	4	4
23	FLANGE NUT		FNHF06S0	4	4	4	4	4
24	TEE		420041-27	1	1	1	1	1
25	EXPANSION VALVE		P02819-01	1	1	1	1	1
26	COPPER TUBE (A) - LOW SIDE		3Y5353G01	1	1	1	1	1

MODEL: IM-240ANE-HC(-21,-23,-32)

TITLE: B. REFRIGERATION CIRCUIT

INDEX NO.	DESCRIPTION	MATERIAL OR MODEL NUMBER	PART NUMBER	REQ'D NUMBER				
				B-1 G-0	G-1	G-2 J-0	J-1	J-2 K-0
27	COPPER TUBE (E) - H		263624G01	1	1	1	1	1
28	COPPER TUBE C - HG		263623G01	1	1	1	1	1
29	TEE		420041-11	1	1	1	1	1
30	COPPER TUBE A - D		477813M01	1	1	1	1	1
31	COPPER TUBE D		377450M01	1	1	1	1	1
32	TEE - 6.4		417394-01	1	1	1	1	1
33	HEAT EXCHANGER		263625G01	1	1	1	1	1
34	COPPER TUBE E		477815M01	1	1	1	1	1
35	DRIER		462813-01	1	1	1	1	1
36	COPPER TUBE C - COND		477814M01	1	1	1	1	1
37	LOCKRING STOPPER		P01677-01	2	2	2	2	2
38	COPPER TUBE A - COND		477832M01	1	1	1	1	1
39	HOT GAS VALVE		P04242-01	1	1	1	1	1
40	STRAINER		P00812-01	1	1	1	1	1
41	COPPER TUBE A - HG		477816M01	1	1	1	1	1
42	TEE		439140-02	1	1	1	1	1
43	PRESSURE SWITCH	R134a,R22,R404A,R290	459863-08	1	1	1	1	1
44	COPPER TUBE B - HG		477817M01	1	1	1	1	1
45	COPPER TUBE D - HG		377451G01	1	1	1	1	1
46	COPPER TUBE (F) - L		477818M01	1	1	1	1	1
47	VALVE COVER		3Y3051P01	1	1	1	1	1
48	CLAMP		P00752-01	2	2	2	2	2
49	PUSH MOUNT TIE		P05042-01	1	1	1	1	1
50	WIRE SADDLE		428060-02	3	3	3	3	3
51	HOLDER - THERMISTOR		315479-01	1	1	1	1	1
52	S-TITE TRUSS HEAD SCREW		FTS0408M0	1	1	1	1	1
53	CLIP		452254-02	2	2	2	2	2
54	INSULATION		4X8643-01	1	1	1	1	1
55	TIE	CV-150	7920-0003	8	8	8	8	8
56	INSULATION TUBE		H72636A80	1	1	1	1	1
57	INSULATION TUBE		H71323B10	2	2	2	2	2
58	INSULATION - CONT		4Y7013P01	1	1	1	1	1
59	CLAMP		P04381-01	4	4	4	4	4
60	WASHER	IM-240ANE-HC-23 IM-240ANE-HC-21	4H1365-05	4	4	4	4	4

MODEL: IM-240ANE-HC(-21,-23,-32)

TITLE: **B. REFRIGERATION CIRCUIT**

INDEX NO.	DESCRIPTION	MATERIAL OR MODEL NUMBER	PART NUMBER	REQ'D NUMBER				
				K-1	K-2 L-1	L-2		
J	FAN MOTOR ASSY		3Y5078A01	1	1	1		
1	BASE		377463G01	1	1	1		
2	INSULATION - BASE		4Y6898P01	1	1	1		
3	PLATE/BASE		4Y0249-01	1	1	1		
4	COMPRESSOR		P02809-01	1	1	1		
5	PROTECTOR		P02812-01	1	1	1		
6	PROTECTOR RETAINER		P02815-01	1	1	1		
7	SCREW		P00840-01	1	1	1		
8	TERMINAL COVER		P02814-01	1	4	4		
9	GROMMET		P00846-01	4	4	4		
10	SPACER		P00847-01	4	4	4		
11	BOLT		436206-03	4	4	4		
12	BOX WITH ELECTRICAL COMPONENTS		P02841-01	1	1	1		
13	CONDENSER ASSY		263639G01	1	1	1		
14	FLANGE BOLT (C-TITE)		FTR0408M0	16	16	16		
15	SHROUD		263619M01	1	1	1		
16	SHROUD (R) - SIDE		263620M01	1	1	1		
17	SHROUD (L) - SIDE		263620M02	1	1	1		
18	HEX HEAD BOLT (SPRING WASHER AND FLAT WASHER)		FBK0510S0	4	4	4		
19	EVAPORATOR		2X2459G01	1	1	1		
		IM-240ANE-HC-SN	2E0046G01	-	-	1		
		IM-240ANE-HC-23	2X2594G01	1	1	1		
		IM-240ANE-HC-32	2H3631G02	-	-	-		
			2X2605G01	1	1	1		
		IM-240ANE-HC-32-SN	2E0090G01	-	-	1		
		IM-240ANE-HC-21	208205G04	-	-	-		
			2X2532G01	1	1	1		
IM-240ANE-HC-21-SN	2E0051G01	-	-	1				
20	COLLAR		3H3879-01	4	4	4		

MODEL: IM-240ANE-HC(-21,-23,-32)

TITLE: B. REFRIGERATION CIRCUIT

INDEX NO.	DESCRIPTION	MATERIAL OR MODEL NUMBER	PART NUMBER	REQ'D NUMBER				
				K-1	K-2 L-1	L-2		
21	SCREW EVAPORATOR		4Y4922M02	4	4	4		
		IM-240ANE-HC-23 IM-240ANE-HC-21	4Y4922M03	4	4	4		
22	WASHER		4H0777-01	4	4	4		
23	FLANGE NUT		FNHF06S0	4	4	4		
24	TEE		420041-27	1	1	1		
25	EXPANSION VALVE		P02819-01	1	1	1		
26	COPPER TUBE (A) - LOW SIDE		3Y5353G01	1	1	1		
27	COPPER TUBE (E) - H		263624G01	1	1	1		
28	COPPER TUBE C - HG		263623G01	1	1	1		
29	TEE		420041-11	1	1	1		
30	COPPER TUBE A - D		477813M01	1	1	1		
31	COPPER TUBE D		377450M01	1	1	1		
32	TEE - 6.4		417394-01	1	1	1		
33	HEAT EXCHANGER		263625G01	1	1	1		
34	COPPER TUBE E		477815M01	1	1	1		
35	DRIER		462813-01	1	1	1		
36	COPPER TUBE C - COND		477814M01	1	1	1		
37	LOCKRING STOPPER		P01677-01	2	2	2		
38	COPPER TUBE A - COND		477832M01	1	1	1		
39	HOT GAS VALVE		P04242-01	1	1	1		
40	STRAINER		P00812-01	1	1	1		
41	COPPER TUBE A - HG		477816M01	1	1	1		
42	TEE		439140-02	1	1	1		
43	PRESSURE SWITCH	R134a,R22,R404A,R290	459863-08	1	1	1		
44	COPPER TUBE B - HG		477817M01	1	1	1		
45	COPPER TUBE D - HG		377451G01	1	1	1		
46	COPPER TUBE (F) - L		477818M01	1	1	1		
47	VALVE COVER		3Y3051P01	1	1	1		
48	CLAMP		P00752-01	2	2	2		
49	PUSH MOUNT TIE		P05042-01	1	1	1		
50	WIRE SADDLE		428060-02	3	3	3		
51	HOLDER - THERMISTOR		315479-01	1	1	1		
52	S-TITE TRUSS HEAD SCREW		FTS0408M0	1	1	1		
53	CLIP		452254-02	2	2	2		

