



TECHNICAL DIAGRAMS

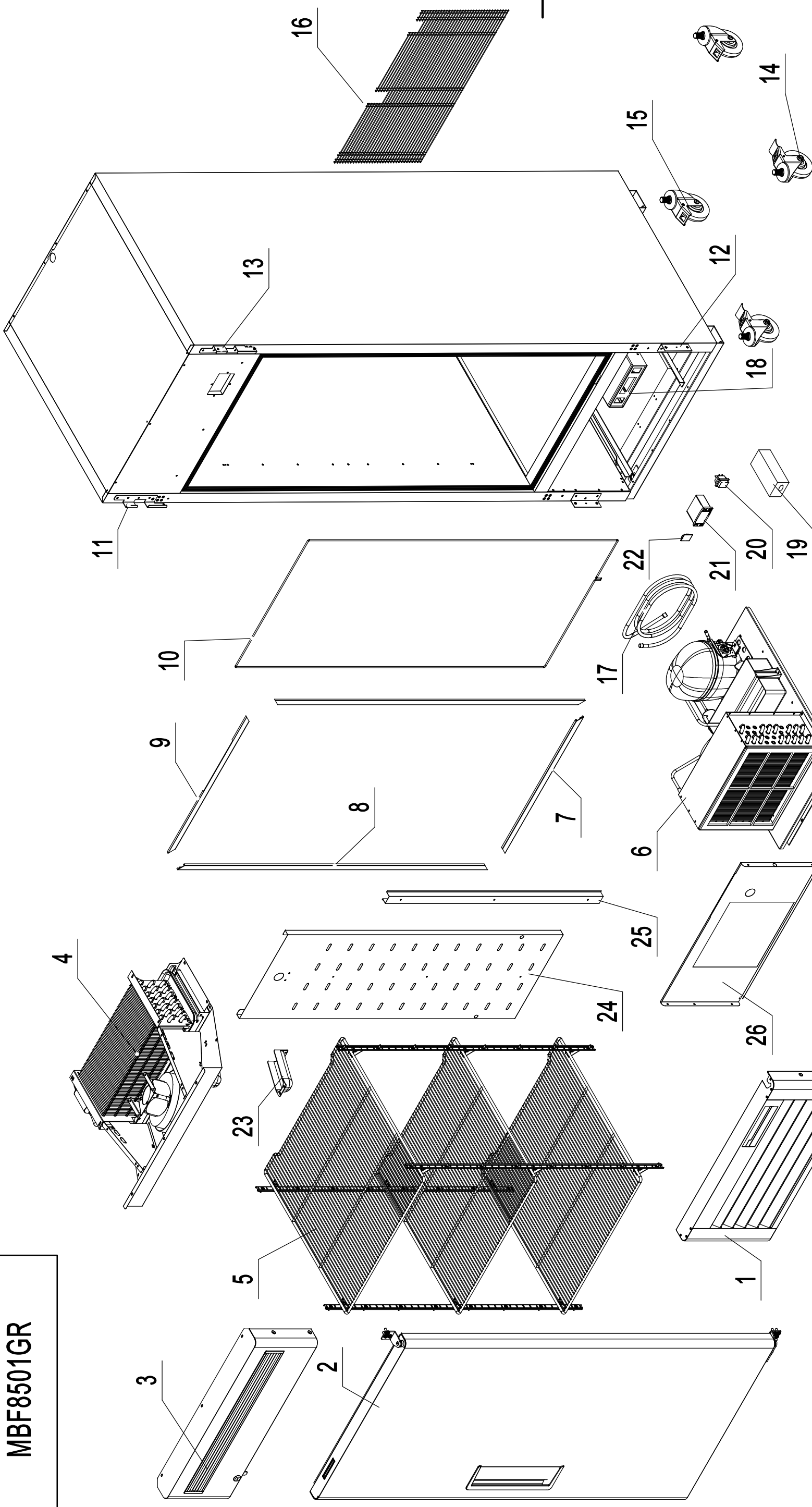


MCF8703

01706 353 633

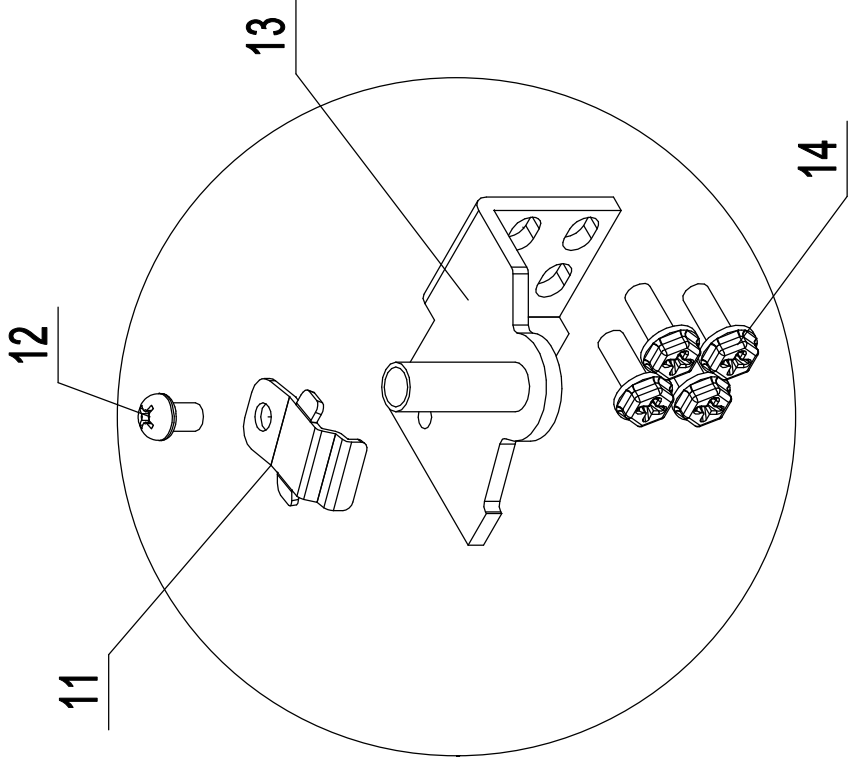
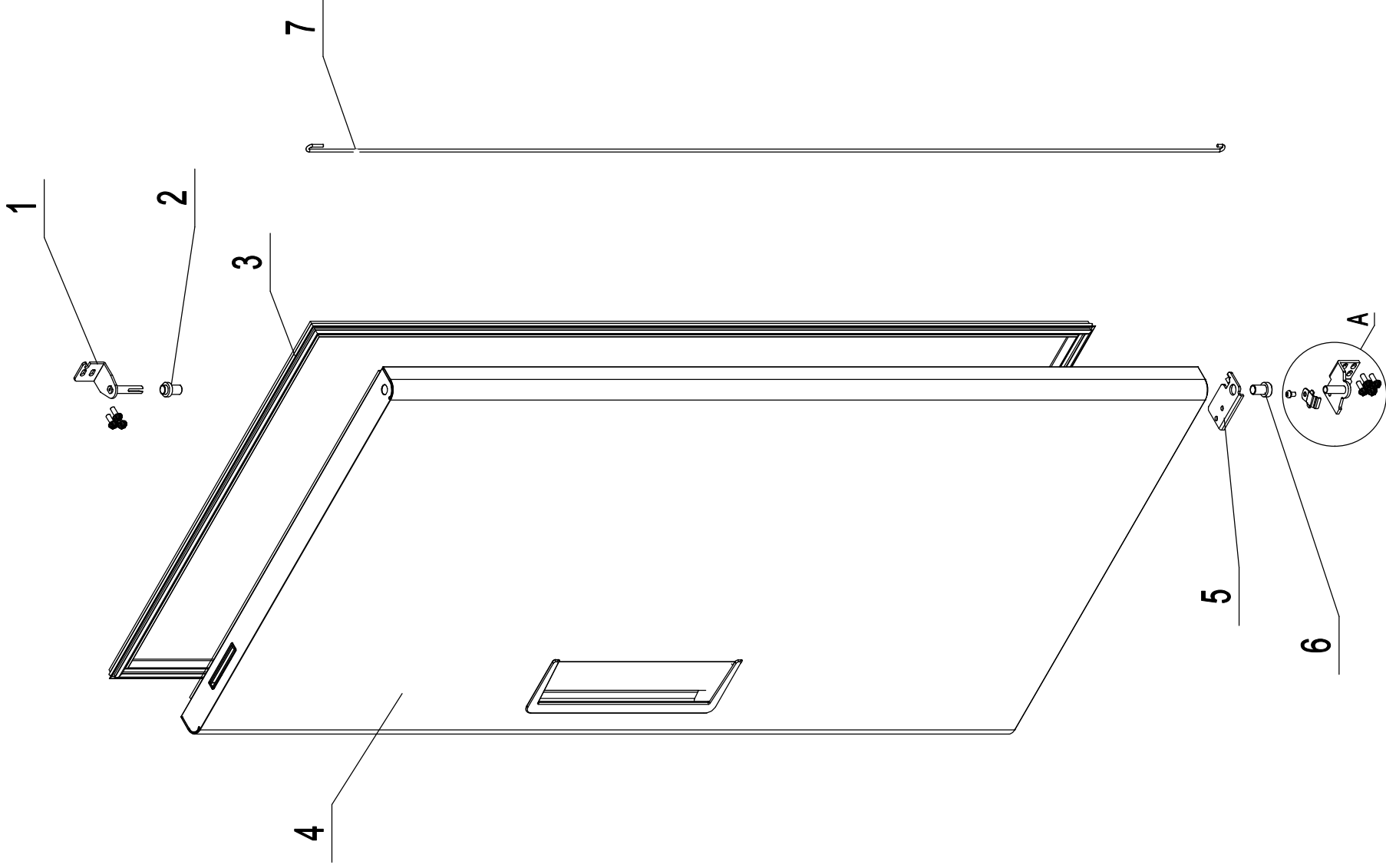
WWW.FOODSERVICESPARES.COM

MBF8501GR



Material code	English Name	Chinese Name	Quantity	Remark
10 W0310097	Cabinet Wire Heater	箱体加热带	1	
9 W0410455	Top Frame Cover	箱体接口盖(上)	1	
8 W0410446	Left-Right Frame Cover	箱体接口盖(左)(右)	2	
7 W0410456	Bottom Frame Cover	箱体接口盖(下)	1	
6 85010453	Comp&Cond Assembly	冷凝机组	1	
5 85010452	Shelf Assembly	食品架组件	1	
4 85010451	Evaporator Assembly	蒸发器机组	1	
3 85010450	Top Panel Assembly	上单罩组件	1	
2 85010402	Door Assembly	门体组件	1	
1 85010420	Bottom Panel	下罩板	1	
20 W0308019	Power Switch	电源开关	1	
19 W0399115	LED Power	LED灯电源	15W	
18 W0409883	Controller Bracket	温控支架	1	
17 W0210616	Low Pressure Coil Back to Comp	回气管(B)	1	
16 W0402273	Back Bottom Barrier	保护网	1	
15 B0604413	4" Castor Without Brake	4吋重磅万向轮 (脚轮)	2	
14 B0604421	4" Castor With Brake	4吋带刹重磅万向轮(脚轮)	2	
13 85041609	Right Fastener For Top Panel	前罩板(右)(上)固定件	1	
12 85041801	Fastener For Bottom Panel	下罩板固定件	2	
11 85041610	Left Fastener For Top Panel	前罩板(左)(上)固定件	1	
27 W0409882	Controller Cover	温控前翻盖组件	1	
26 85011901	Wind deflector unit	机组挡风板	GI	
25 80011041	Back wind deflector stents	后背挡风板支架	1	
24 80011042	Back wind deflector	后背挡风板	1	
23 W0409081	A drain protection	排水管保护件	ABS	
22 W0409884	Switch plug	开关插头	ABS	
21 W0302162	Digital Controller	冷冻温控器(蓝色数码显示)	120V	

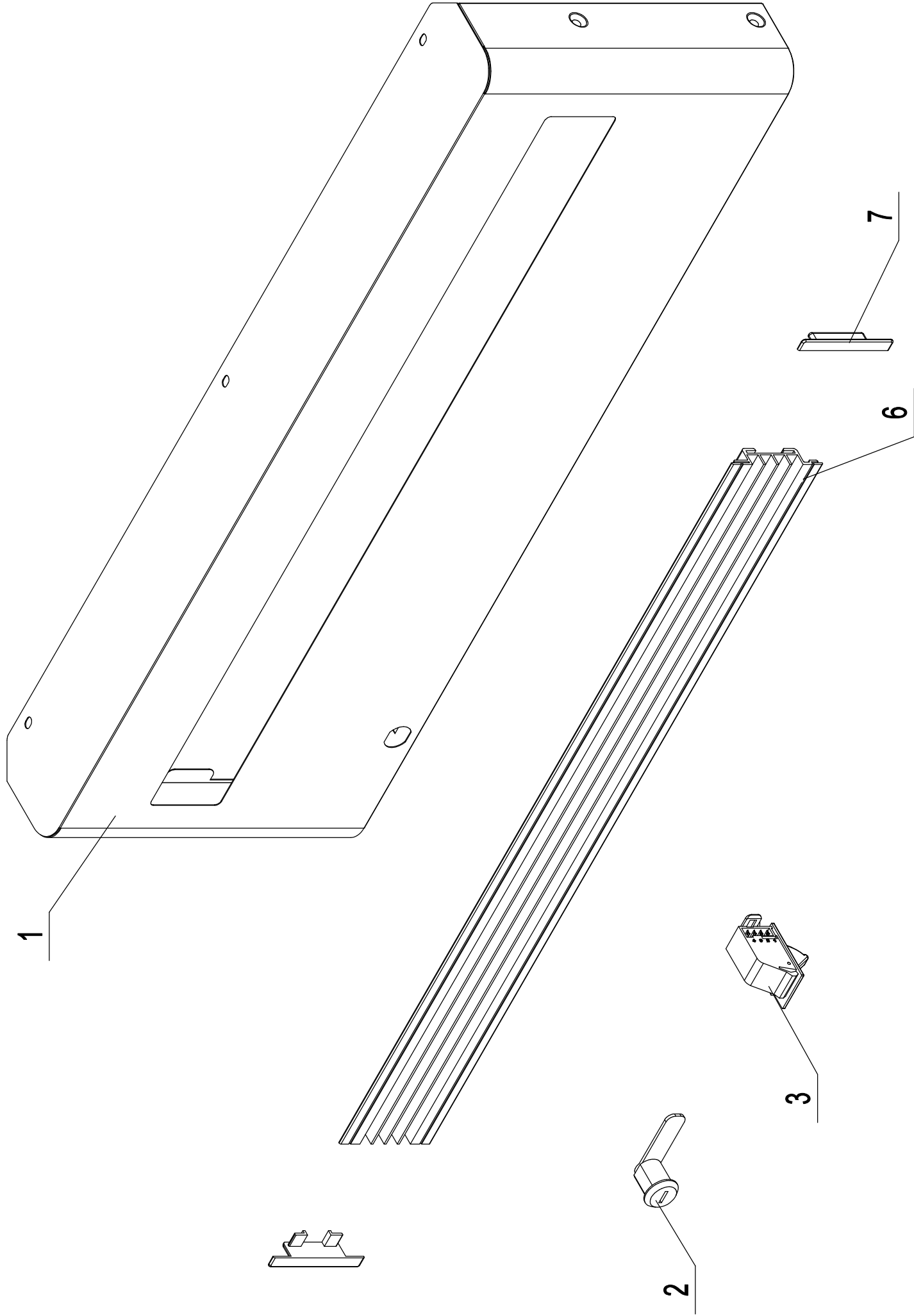
85010402



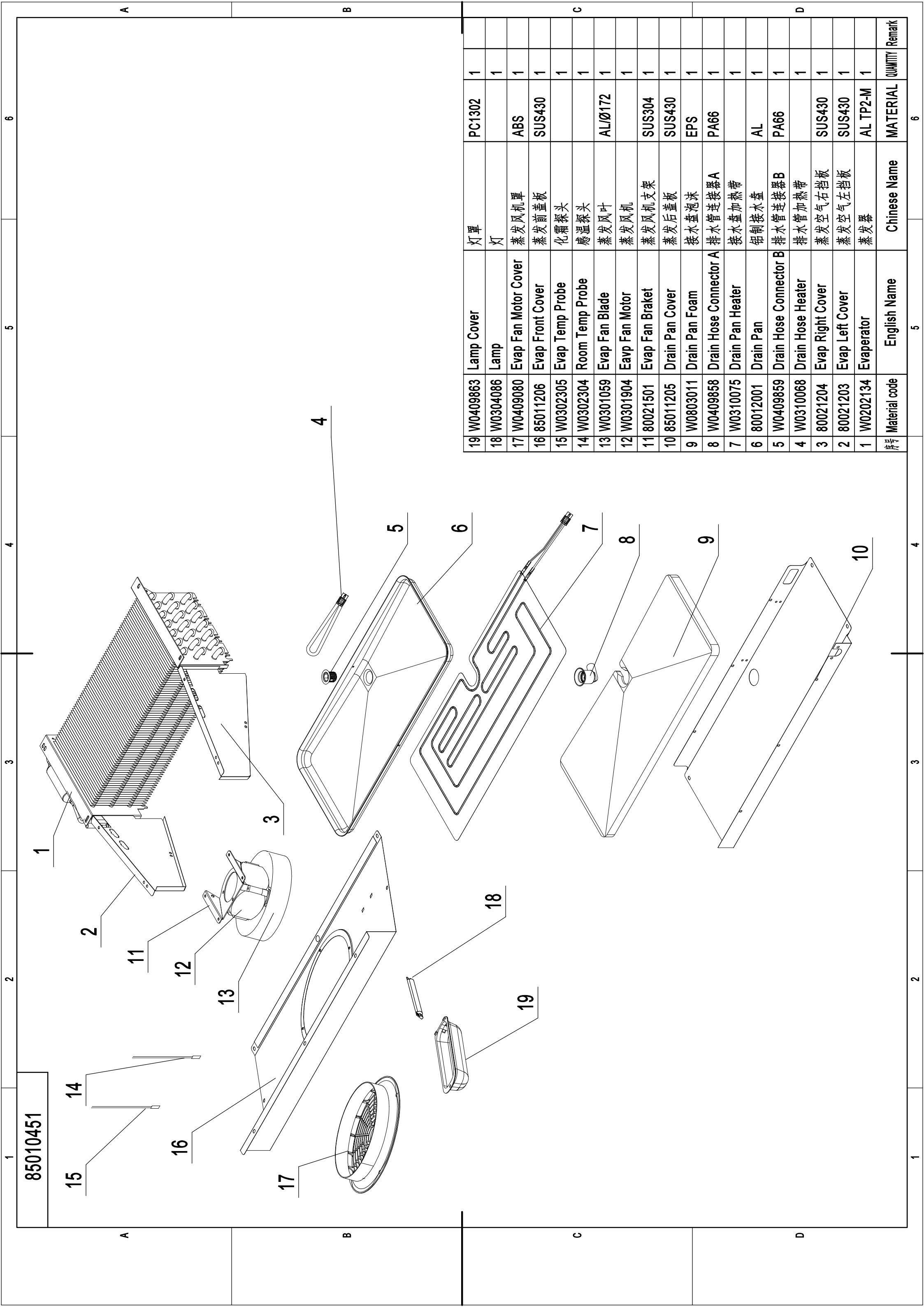
局部放大图A

序号	Material code	English Name	Chinese Name	MATERIAL	QUANTITY	Remark
14	B0506044	Screw M6x16	M6x16十字槽六角头螺栓		7	
13	W0604024	Right-Bottom Hinge	右下铰链	SUS304	1	
12	B0599270	SS Screw M6x8	M6x8不锈钢螺丝		1	
11	W0604038	Door Brake-Bottom	门自锁装置-下	SUS304	1	
7	W0604401	Door Spring Bar	门体发条		1	
6	W0409843	Door Shaft Sleeve-Bottom	门体轴套	PA66	1	
5	W0604030	Door Brake -Right	门自锁装置-右	SUS304	1	
4	85010201	Right Door	右门体		1	
3	W0404601	Door Gasket	门封条		1	
2	W0409842	Door Shaft Sleeve-Top	门体轴套	PA66	1	
1	W0604022	Right-Top Hinge	右上铰链	SUS304	1	

85010450



序号	Material code	English Name	Chinese Name	MATERIAL	QUANTITY	Remark
7	W0409272	Black Grille Clip	前罩板饰条端板	ABS	2	
6	W0410351	Black Grille	前罩板饰条	PVC	1	
3	W0308012	Door Switch	右门体开关(单刀双掷)		2	
2	W0604007	Lock	冰箱锁		1	
1	85011414	Top Panel	上前罩板	SUS430	1	



85010451

Material code	English Name	Chinese Name	MATERIAL	QUANTITY	Remark
19 W0409863	Lamp Cover	灯罩	PC1302	1	
18 W0304086	Lamp	灯		1	
17 W0409080	Evap Fan Motor Cover	蒸发风机罩	ABS	1	
16 85011206	Evap Front Cover	蒸发前盖板	SUS430	1	
15 W0302305	Evap Temp Probe	化霜探头		1	
14 W0302304	Room Temp Probe	感温探头		1	
13 W0301059	Evap Fan Blade	蒸发风叶	AL/Ø172	1	
12 W0301904	Evap Fan Motor	蒸发风机		1	
11 80021501	Evap Fan Bracket	蒸发风机支架	SUS304	1	
10 85011205	Drain Pan Cover	蒸发后盖板	SUS430	1	
9 W0803011	Drain Pan Foam	接水盘泡沫	EPS	1	
8 W0409858	Drain Hose Connector A	排水管连接器A	PA66	1	
7 W0310075	Drain Pan Heater	接水盘加热带		1	
6 80012001	Drain Pan	铝制接水盘	AL	1	
5 W0409859	Drain Hose Connector B	排水管连接器B	PA66	1	
4 W0310068	Drain Hose Heater	排水管加热带		1	
3 80021204	Evap Right Cover	蒸发空气右挡板	SUS430	1	
2 80021203	Evap Left Cover	蒸发空气左挡板	SUS430	1	
1 W0202134	Evaporator	蒸发器	AL TP2-M	1	

Material code English Name Chinese Name MATERIAL QUANTITY Remark

85010452

A

B

C

D

1

2

3

4

5

6

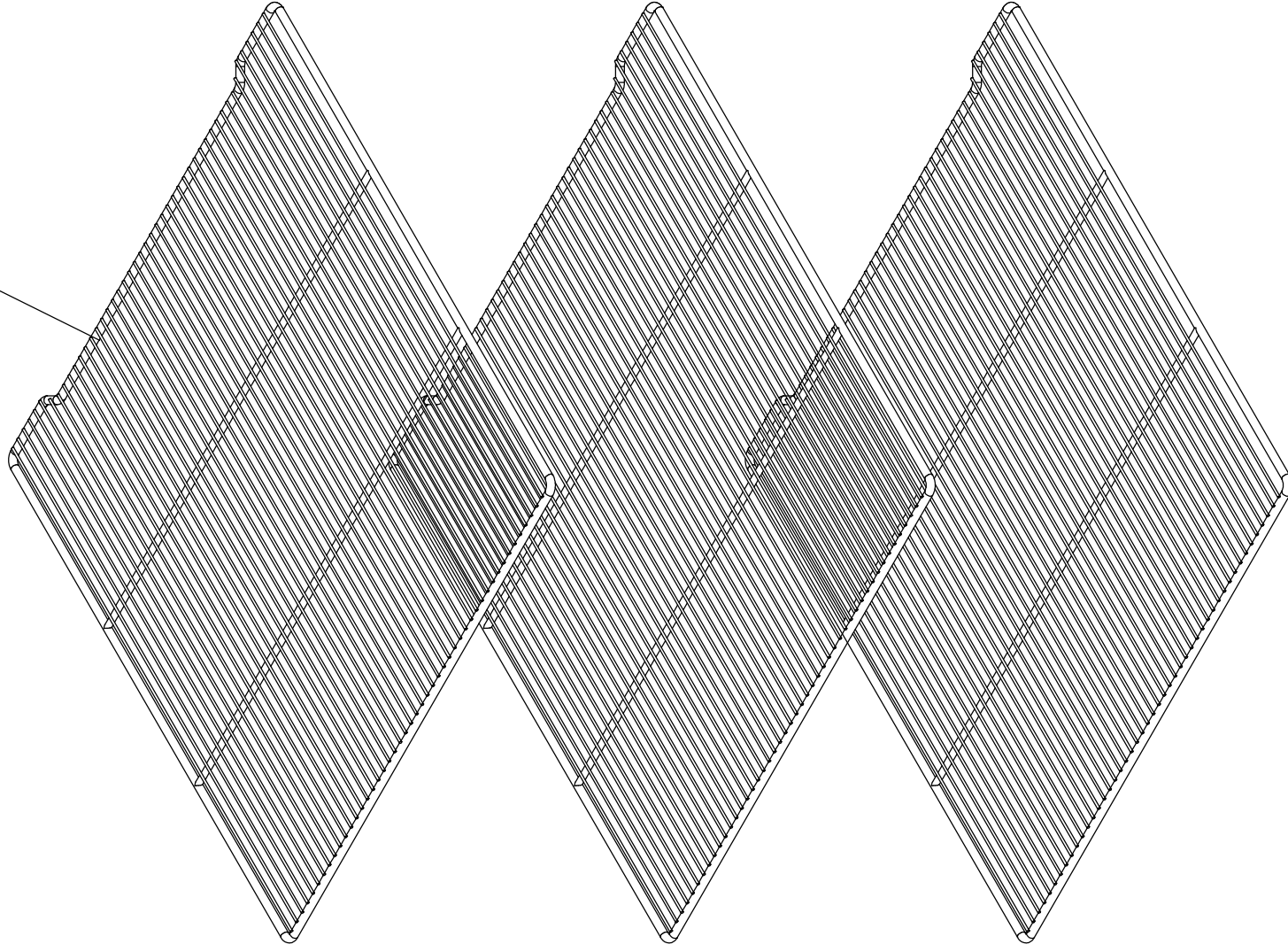
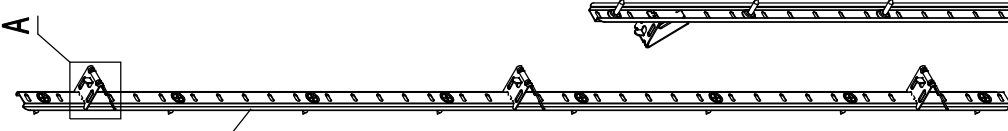
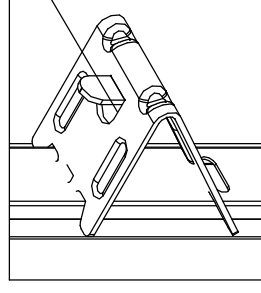
3

1

2

A

局部放大图A



序号	Material code	English Name	Chinese Name	MATERIAL	QUANTITY	Remark
3	W0402393	Shelf	食品架		3	
2	66490313	Shelf Clip	食品架搁脚	SUS430	12	
1	80037410	Pilaster For Shelf	食品架隔条	SUS430	4	

1

2

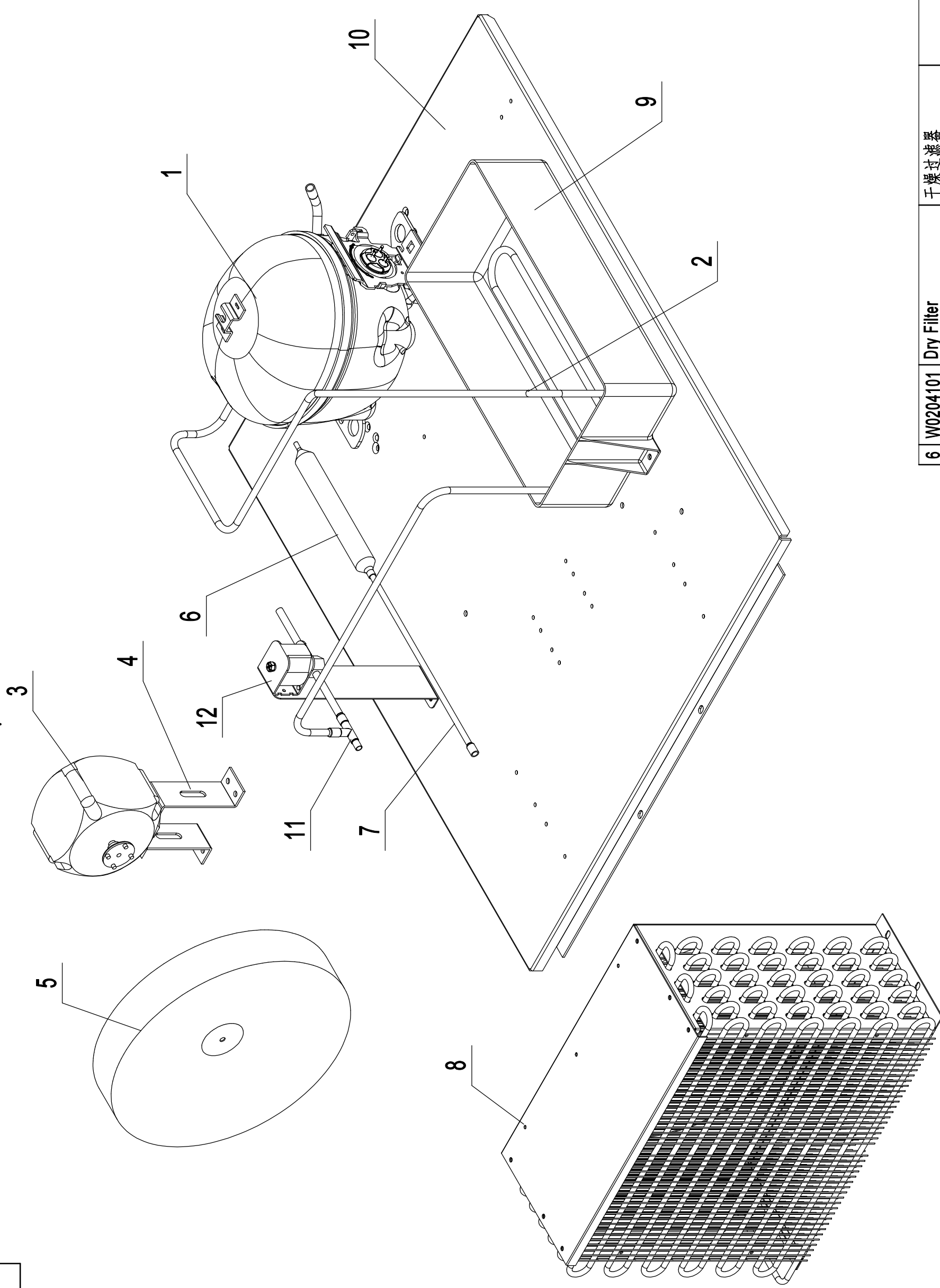
3

4

5

6

85010453



12	W0205012	Solenoid valve	电磁阀(120V)	1	
11	W0208017	T Three way connecting pipe	T型三通	1	
10	85011809	Compressor Board	压缩机底板	1	TP2-M
9	W0411152	Plastic Drain Pan	接水盘	1	ABS
8	W0203074	Condenser	冷凝器	1	GI TP2-M
7	W0210537	Connecting Coil to Condenser	连接管(冷凝器-干燥过滤器)	1	TP2-M

6	W0204101	Dry Filter	干燥过滤器	1		
5	W0301061	Condenser Fan Blade	冷凝风叶	1	AL/Ø250	
4	80061601	Condenser Fan Bracket	冷凝风机支架	1	GI	
3	W0301905	Condenser Fan	冷凝风机(120V)	1		
2	W0210617	High Pressure Coil	散热管	1	TP2-M	
1	W0201146	Compressor	压缩机(NEK2134U)	1		
材料号	Material code	English Name	Chinese Name	MATERIAL	QUANTITY	Remark



FOODSERVICE EQUIPMENT SPARES LTD

UNIT 4 SANDBROOK PARK, SANDBROOK WAY, ROCHDALE, OL11 1RY

01706 353 633

SALES@FOODSERVICESPARES.COM



WWW.FOODSERVICESPARES.COM