



TECHNICAL DIAGRAMS

**ecomax**<sup>™</sup>  
by **HOBART**

ECO-U704

01706 353 633

[WWW.FOODSERVICESPARES.COM](http://WWW.FOODSERVICESPARES.COM)

## WAREWASHING



Utensil washer

**ECO-U704**

Spare Parts Catalogue

EN

---

**Valid for the following models:****Eco-U704-10B****Eco-U704-11B****Eco-U704-90B****Note**

For other electrical components or voltages, refer to the wiring diagram shipped with the machine.

**Legend**

 Recommended spare parts

 Wearing parts

**Publisher**

HOBART GmbH  
Robert-Bosch-Str. 17  
77656 Offenburg

Tel +49(0)781.600-0  
Fax +49(0)781.600-23 19

E-Mail: [info@hobart.de](mailto:info@hobart.de)  
Internet: [www.hobart.de](http://www.hobart.de)

**Product disclaimer**

Installations and repairs carried out by non-authorized technicians or using non-genuine spare parts, and any technical alterations to the machine not approved by the manufacturer will invalidate the manufacturer's warranty and product liability.

HOBART reserves the right to make changes or improvements to its products without prior notice.

Detailed information can be obtained from your specialist dealer or from:

Internet: [www.hobart.de](http://www.hobart.de)  
E-Mail: [info@hobart.de](mailto:info@hobart.de) (within Germany)

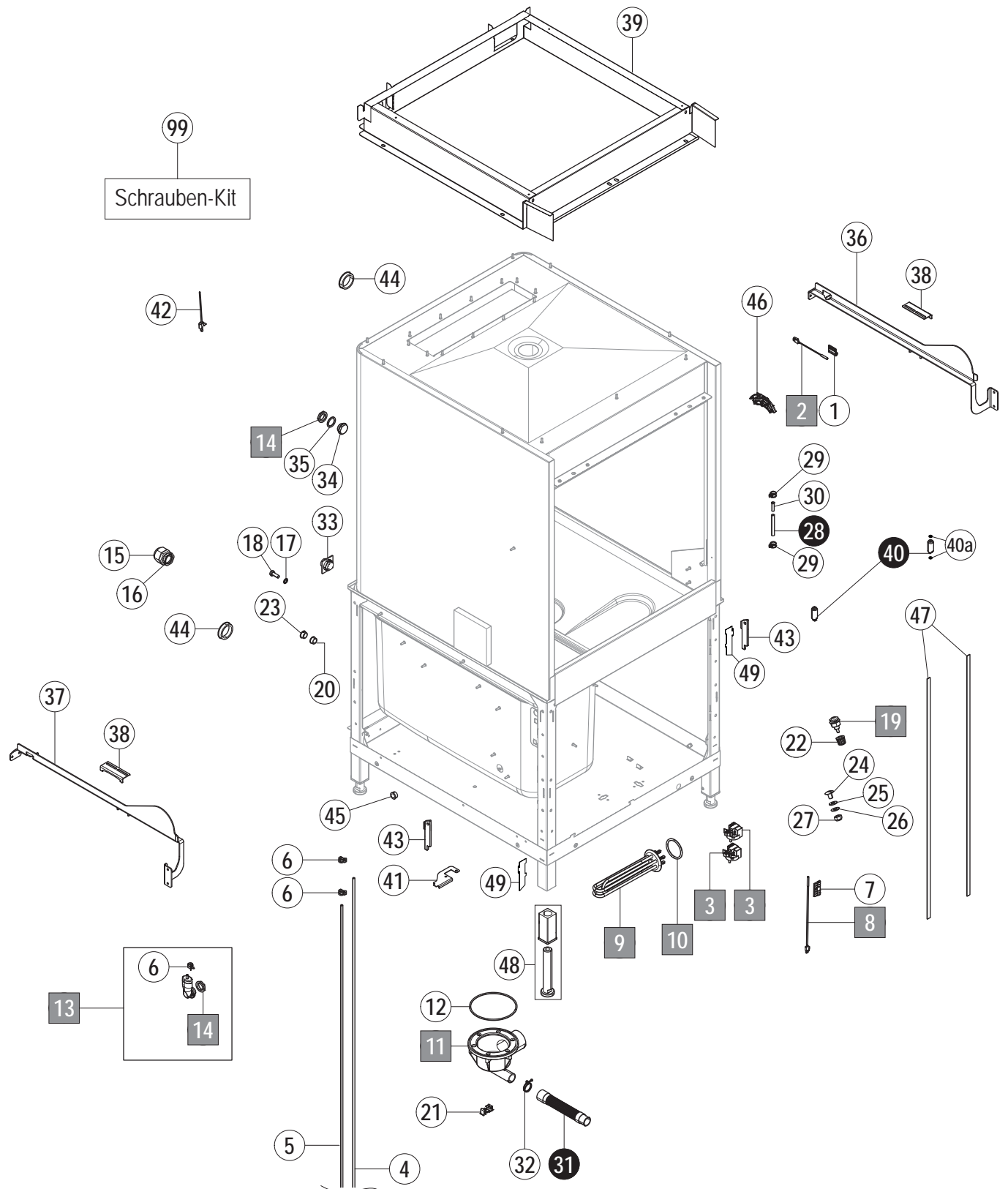
© HOBART GmbH, Offenburg 2024

---

Page	Chapter	Content
<b>4</b>	<b>1.</b>	<b>Tank and undercarriage, mounting parts</b>
<b>8</b>	<b>2.</b>	<b>Door</b>
<b>10</b>	<b>3.</b>	<b>Covering</b>
<b>12</b>	<b>4.</b>	<b>Fill</b>
<b>14</b>	<b>5.</b>	<b>Drain system (all models except ECO-U704-10B)</b>
<b>16</b>	<b>6.</b>	<b>Strainer system without drain pump</b>
<b>18</b>	<b>7.</b>	<b>Strainer system with drain pump</b>
<b>20</b>	<b>8.</b>	<b>Wash system</b>
<b>22</b>	<b>9.</b>	<b>Wash pump</b>
<b>24</b>	<b>10.</b>	<b>Boiler</b>
<b>26</b>	<b>11.</b>	<b>Switch box</b>
<b>28</b>	<b>12.</b>	<b>Dosing (all models except ECO-U704-10B)</b>
<b>30</b>	<b>13.</b>	<b>Racks</b>

## Tank and undercarriage, mounting parts

### 1. Tank and undercarriage, mounting parts



## Tank and undercarriage, mounting parts

Pos. no.	Part no.	Part name	Remarks
1	01-515259-001	Bracket gas reed switch	
2	01-515276-001	Reed switch	
3	01-539157-001	Pressure transmitter	
4	00-324402-003	Hose	
5	00-324402-019	Hose	
6	00-324510-081	Hose clip	
7	01-297719-001	Bracket temperature sensor	
8	00-775612-001	Temperature sensor	
9	00-323949-002	Tank heater	
10	00-067500-118	O-ring	
11	00-883735-001	Tank flange	
12	00-276903-028	O-ring	
13	01-515334-001	Air chamber, replacement kit	incl. Pos. 6 + 14
14	00-324384-000	Nut	
15	00-695661-005	Cable fitting	
16	00-695664-005	Counter nut	
17	00-605283-001	Fan washer	
18	00-602570-000	Screw	
19	00-883676-001	Spare parts kit dosing nipple	all except ECO-U704-10B
20	00-886756-004	Insulation bushing	all except ECO-U704-10B
21	01-515242-001	Hose guidance rail	all except ECO-U704-10B
22	00-775507-001	Screw connection	all except ECO-U704-10B
23	00-895609-001	Cover cap	only ECO-U704-10B
24	00-603376-000	Screw	only ECO-U704-10B
25	00-172986-010	Sealing	only ECO-U704-10B
26	00-602287-000	Washer	only ECO-U704-10B
27a	00-602305-000	Spring ring	only ECO-U704-10B
27	00-602492-000	Nut	only ECO-U704-10B
28	01-515410-017	Dosing hose	only ECO-U704-10B
29	00-324510-068	Hose clip	only ECO-U704-10B
30	00-379839-009	Bolt	only ECO-U704-10B
31	01-539652-001	Drain hose	only ECO-U704-10B
32	00-323945-035	Hose clip	only ECO-U704-10B
33	00-785565-004	Cable inlet	only ECO-U704-10B
34	01-297500-001	Cover	only ECO-U704-10B
35	00-775305-001	Sealing	only ECO-U704-10B
36	01-539798-001	Rack guide right	
37	01-539799-001	Rack guide left	
38	01-539790-001	Spring hook	
39	01-539831-001	Frame complete	
40	00-324221-000	Door closer	
40a	00-602481-000	Nut	

## Tank and undercarriage, mounting parts

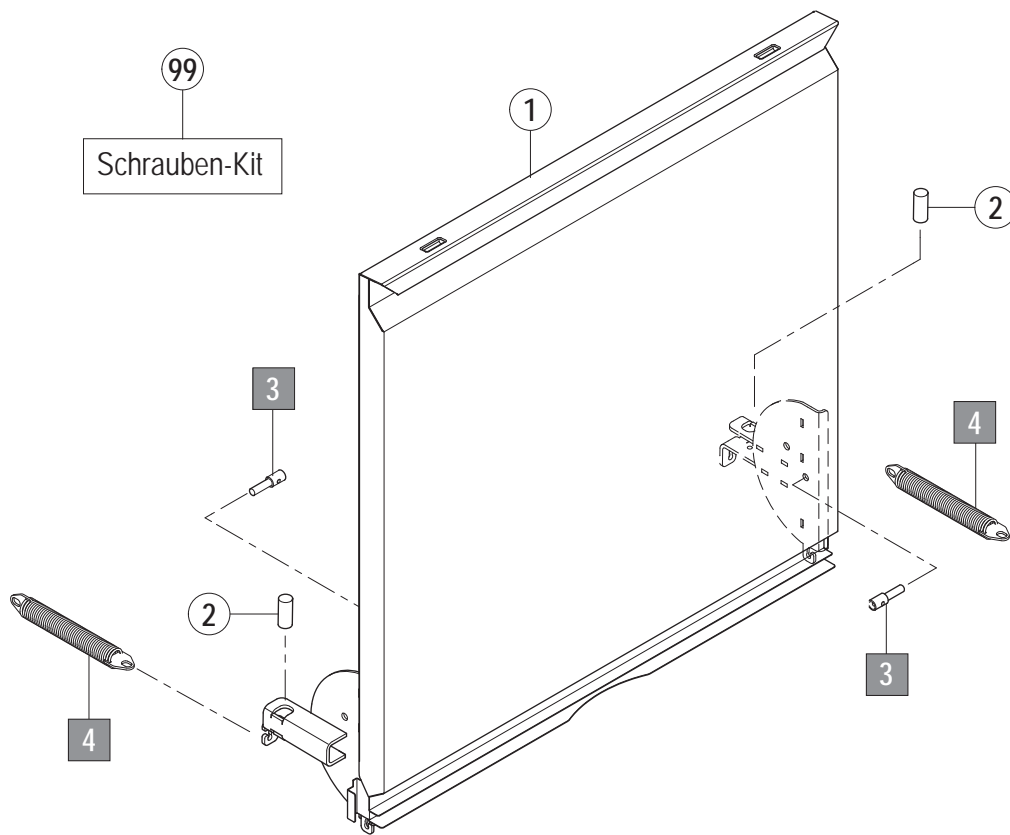
41	01-539884-001	Elbow holder	
42	00-691923-001	Fixing strap	
43	01-294748-001	Vopour seal	
44	00-886756-001	Insulation bushing	
45	00-886756-004	Insulation bushing	
46	01-515897-001	Hose guidance rail	
47	01-539856-003	Sealing tape	
48	ML102829	Adjustable foot spare part kit	
49	04-005557-001	Cover	
99	04-005547-001	Screws Kit (mounting parts):	
	00-605321-001	Nut SK M5	20x
	00-602283-000	Washer 4.3	2x
	00-602285-000	Washer 5.3	2x
	00-603079-000	Screw cyl. M4x20	2x
	00-602568-000	Screw SK M5x12	2x
	00-602507-000	Nut SK M4	2x
	00-602308-000	Spring ring B4	2x
	00-605327-001	Nut SK M10	2x
	00-602288-000	Washer 10.5	2x
	00-603493-000	Countersunk screw M4x10	2x
	00-600699-000	Countersunk screw M6x12	12x

**Tank and undercarriage, mounting parts**

---

Door

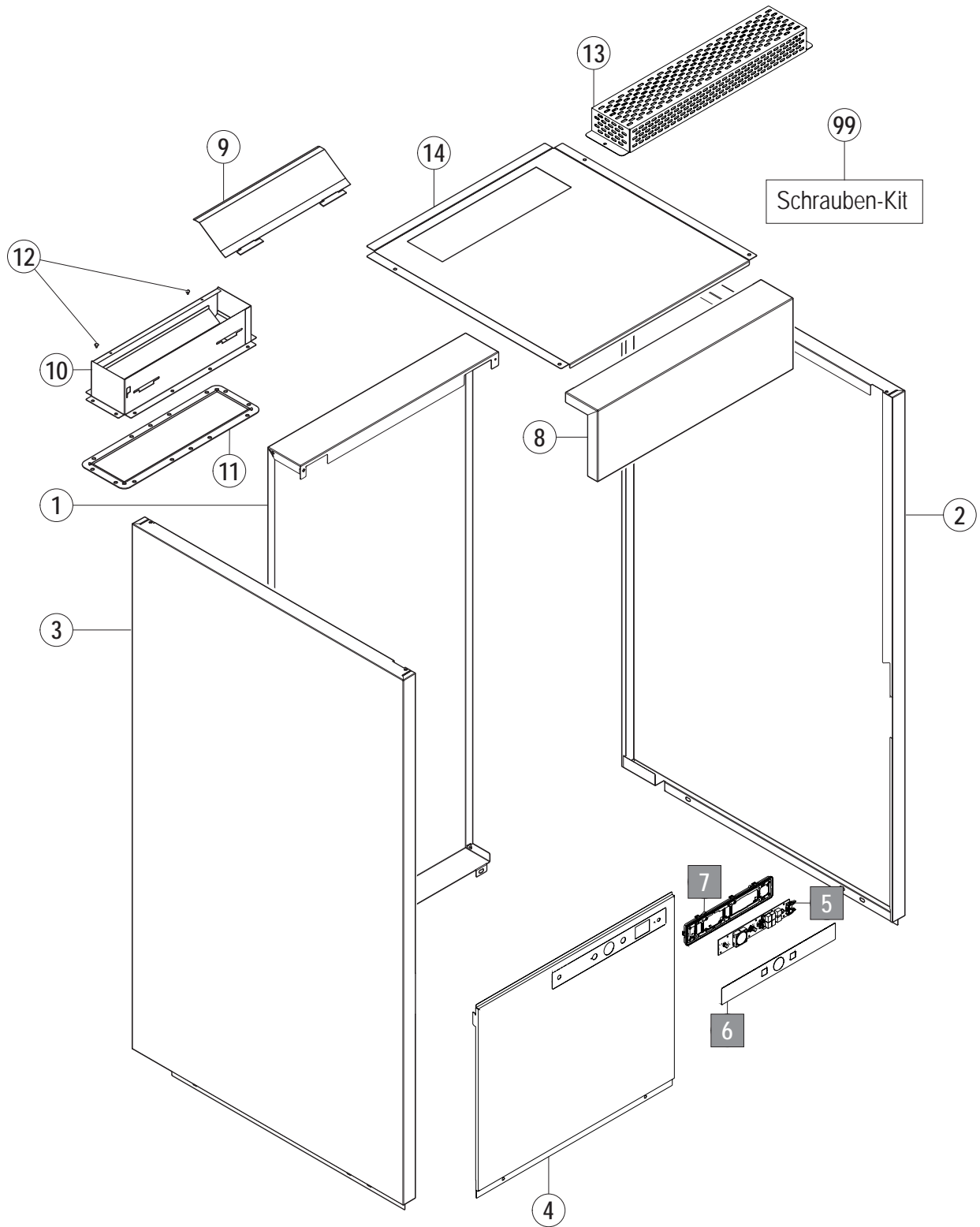
2. Door



Pos. no.	Part no.	Part name	Remarks
1	01-539973-001	Door	
2	01-294682-001	Stopper	
3	01-294675-001	Axle door	
4	01-246079-001	Spring	
99	04-005547-002	Screws Kit door:	
	00-602285-000	Washer 5.3	2x
	00-605009-000	Screw SK M5x6	2x
	00-602306-000	Spring ring B5	2x
	00-602567-000	Screw SK M5x10	2x
	00-603649-000	Cup screw M5x10	2x
	00-609345-000	Countersunk screw M4x5	2x

Covering

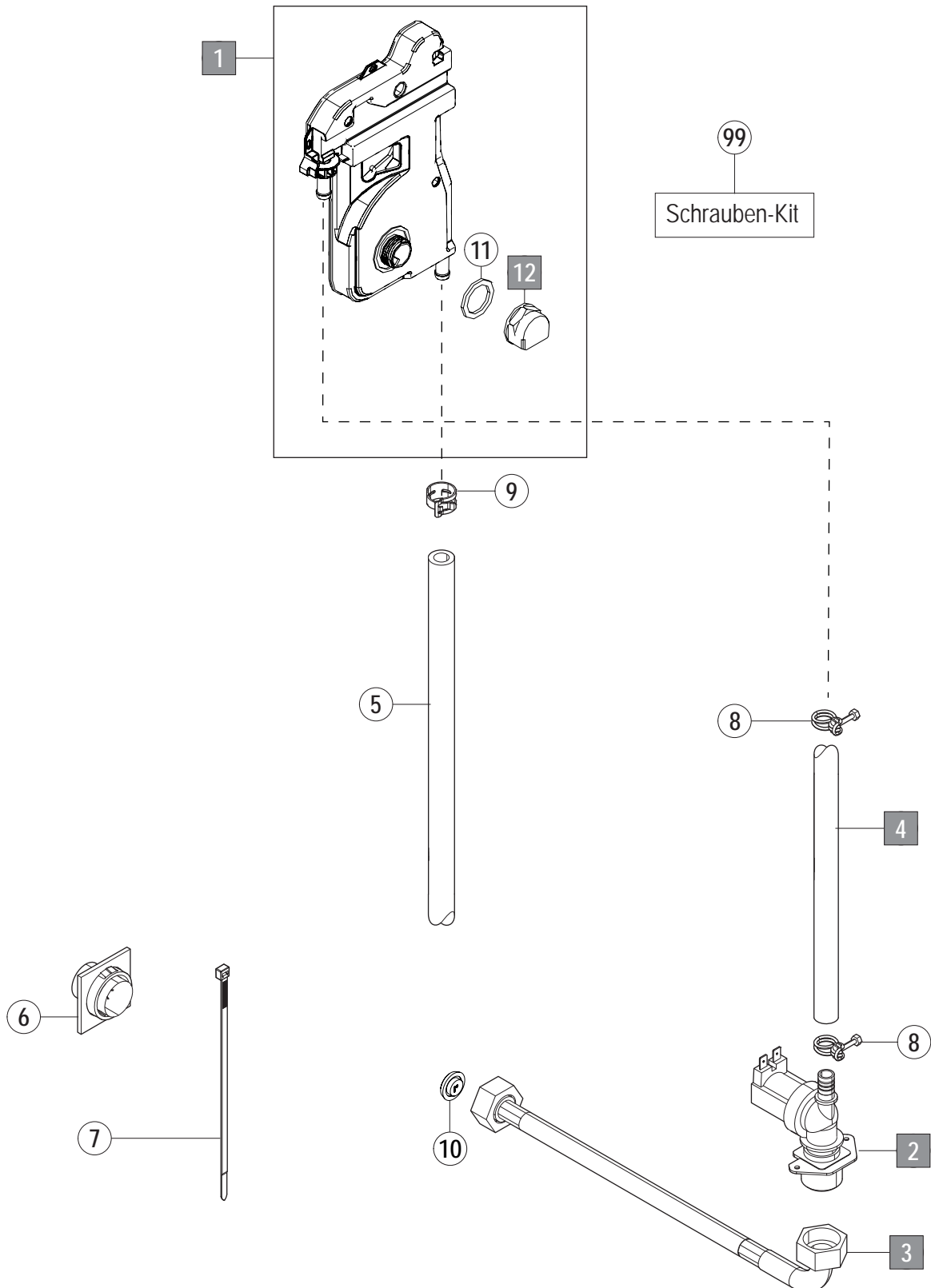
3. Covering



Pos. no.	Part no.	Part name	Remarks
1	01-539720-001	Back covering	Option
2	01-539830-005	Side covering, right	
3	01-539830-006	Side covering, left	
4	01-510763-001	Frontal covering	
5	04-020335-001	Operating panel kit	
6	04-008355-001	Ecomax film keypad single-button	
7	04-020328-001	Frame	
8	01-539958-001	Frontal covering	
9	01-294657-001	Flap	
10	01-510645-001	Air duct	
11	01-539716-001	Sealing	
12	00-228828-000	Stopper	
13	04-006809-001	Exhaust grille	
14	01-539839-001	Cover	
99	04-005547-016	Screws Kit covering:	
	00-603648-000	Cup screw M6x12	10x
	00-605321-001	Nut SK M5	12x
	00-602568-000	Screw SK M5x12	6x
	00-602285-000	Washer 5.3	4x
	00-602306-000	Spring ring B5	4x
	00-602281-000	Washer 3.2	6x
	00-602528-000	Nut SK M3	6x
	00-226247-001	Sealing ring	6x
	00-298529-009	Distance sleeve	6x
	00-603649-000	Cup screw M5x10	4x
	00-602481-000	Nut SK M12	4x

Fill

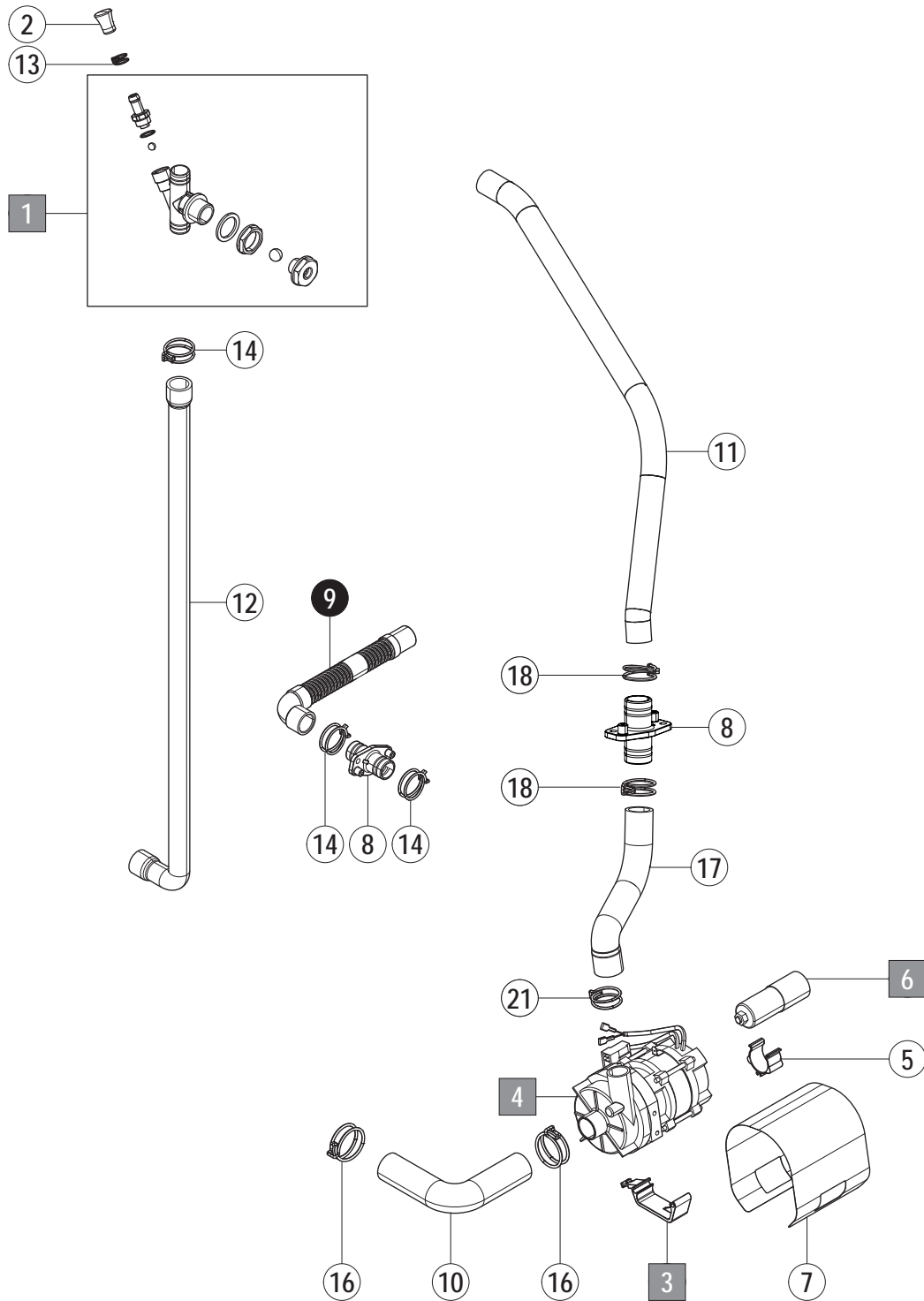
4. Fill



Pos. no.	Part no.	Part name	Remarks
1	04-019168-001	Airgap spare part kit	
2	00-883658-001	Filling valve	
3	04-005833-001	Water supply hose	incl. pos. 10 / all except Eco-U704-90B
	04-006615-003	Water supply hose	only Eco-U704-90B
4	01-246371-007	Hose	
5	01-297802-001	Hose	
6	01-510505-001	Cable inlet	
7	00-165128-003	Cable tie	
8	00-323945-016	Hose clip	
9	01-246214-002	Hose clip	
10	00-378525-001	Strainer	
11	00-775305-001	Sealing	
12	00-324183-000	Counter nut	
99	04-005547-004	Screws kit Fill and Drain	
	00-602691-000	Screw L.KR M4x10	4x
	00-602308-000	Spring ring B4	4x
	01-515222-001	Screw KU 4x12	2x
	00-605049-000	L.KR Screw 6.3x22	1x

## Drain system (all models except ECO-U704-10B)

### 5. Drain system (all models except ECO-U704-10B)

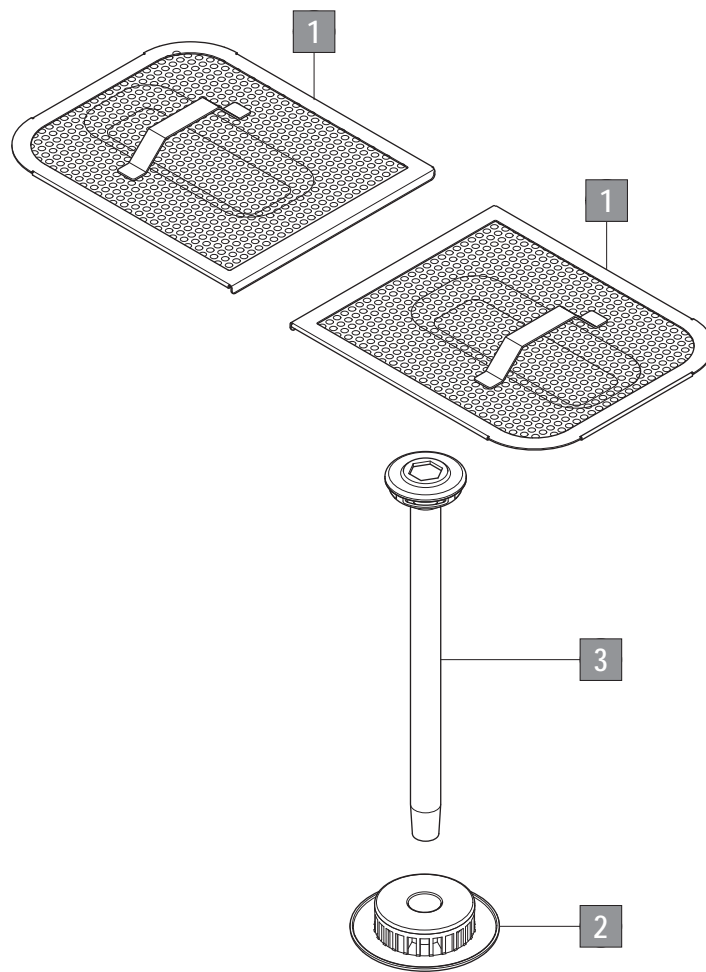


## Drain system (all models except ECO-U704-10B)

Pos. no.	Part no.	Part name	Remarks
1	01-510552-003	Ventilation valve, compl.	
2	00-775531-001	Blind plug	
3	01-515154-001	Bracket rinse pump	
4	04-019401-001	Drain pump	
5	01-539645-001	Holder	
6	00-226568-002	Condenser	
7	01-515763-001	Cover	
8	01-240159-001	Drain connection	
9	00-883961-002	Drain hose	
10	00-898242-008	Hose	
11	01-515935-001	Hose	
12	01-515894-002	Hose	
13	00-324510-140	Hose clip	
14	00-324510-287	Hose clip	
15	00-324510-327	Hose clip	
16	00-324510-356	Hose clip	
17	01-515969-001	Hose drain pump turbidity sensor	
18	00-323945-031	Wire hose clamp	
99	04-005534-001	Drain pump retrofit kit	

Strainer system without drain pump

6. Strainer system without drain pump



## Strainer system without drain pump

---

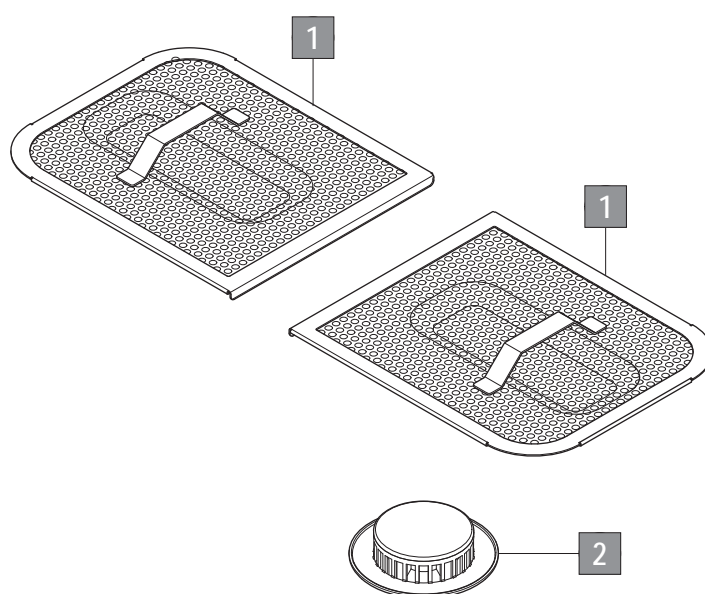
Pos. no.	Part no.	Part name	Remarks
1	01-510617-001	Tank cover strainer	
2	00-883733-002	Drain strainer	
3	00-883737-002	Riser	

Strainer system with drain pump

---

7. Strainer system with drain pump

---

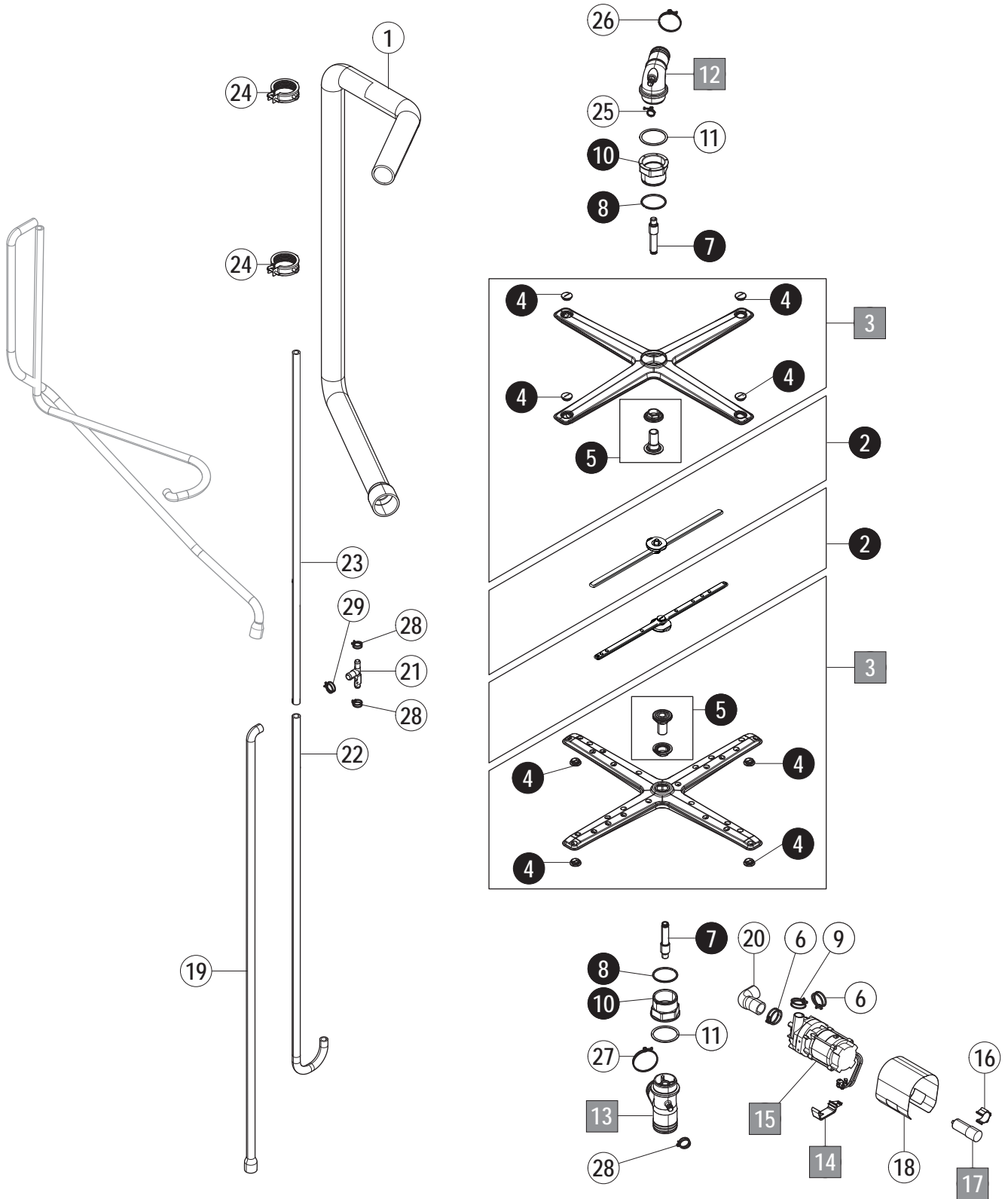


---

Pos. no.	Part no.	Part name	Remarks
1	01-510617-001	Tank cover strainer	
2	00-883733-001	Drain strainer	

Wash system

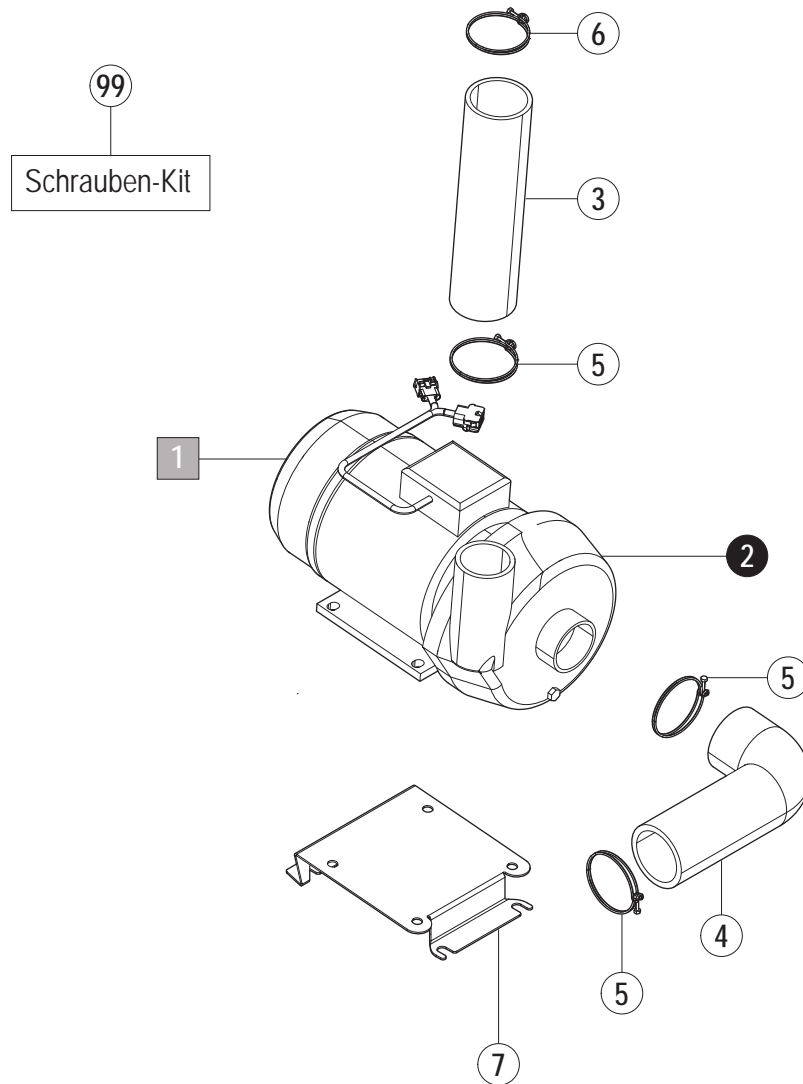
8. Wash system



Pos. no.	Part no.	Part name	Remarks
1	01-539824-003	Hose	
2	01-539620-001	Spare parts kit rinse arm	
3	01-539867-001	Wash arm, compl.	incl. Pos. 4 + 5
4	00-886610-000	Wash arm plug kit	4 pieces
5	01-539624-004	Spare parts kit wash arm guidance	
6	00-324510-356	Hose clip	
7	01-539866-002	Axle	
8	00-324751-000	Sealing ring	
9	00-323945-033	Hose clip	
10	01-539739-001	Separating nut	
11	00-172986-035	Sealing	
12	01-294619-001	Wash arm bearing, top	
13	01-294757-001	Wash arm bearing, bottom	
14	01-515154-001	Bracket rinse pump	
15	04-019408-001	Rinse pump 50 Hz	
16	01-539645-001	Holder	
17	00-226568-002	Condenser	
18	01-515763-001	Cover	
19	00-883167-001	Hose	
20	01-515844-001	Hose	
21	00-324071-000	T-piece	
22	01-510611-001	Hose	
23	01-240170-010	Hose	
24	00-897330-001	Clip	
25	00-323945-021	Hose clip	
26	00-323945-064	Hose clip	
27	00-323945-072	Hose clip	
28	00-324510-202	Hose clip	
29	00-324510-242	Hose clip	

Wash pump

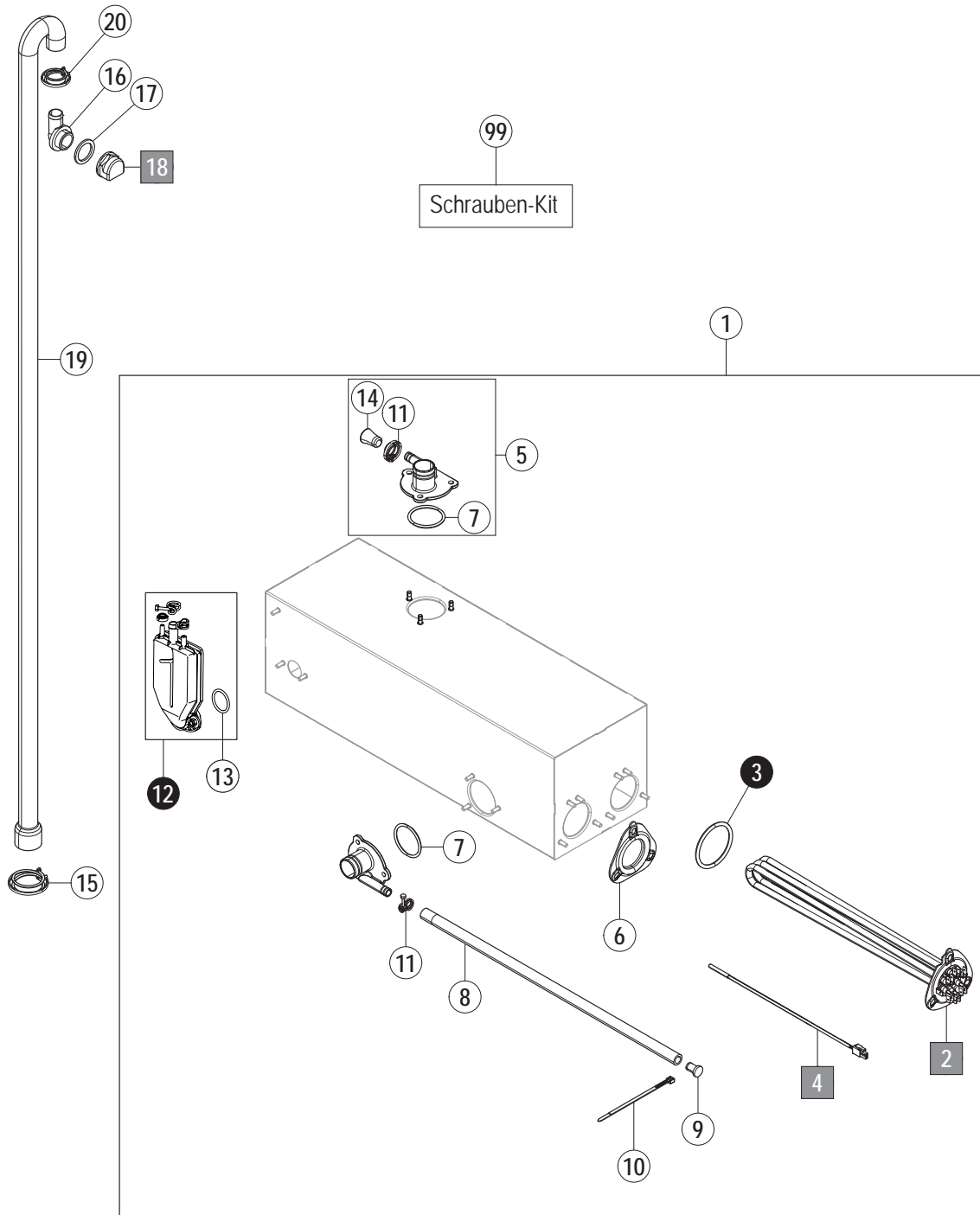
9. Wash pump



Pos. no.	Part no.	Part name	Remarks
1	01-539787-001	Wash pump	
2	01-510632-010	Spare part kit	50Hz / Spare part kit consisting of: O-Ring, impeller, fixed slide ring, movable slide ring
	01-510632-020	Spare part kit	60Hz / Spare part kit consisting of: O-Ring, impeller, fixed slide ring, movable slide ring
3	00-883141-004	Hose	
4	00-898176-006	Hose	
5	00-323945-076	Hose clip	
6	00-323945-072	Hose clip	
7	01-539789-001	Holder	
99	04-005547-007	Screw kit Wash pump	
	00-602578-000	Screw SK M8x25	8x
	00-602503-000	Nut SK M8	12x
	00-602287-000	Washer 8.4	8x
	00-602288-000	Washer 11	4x

## Boiler

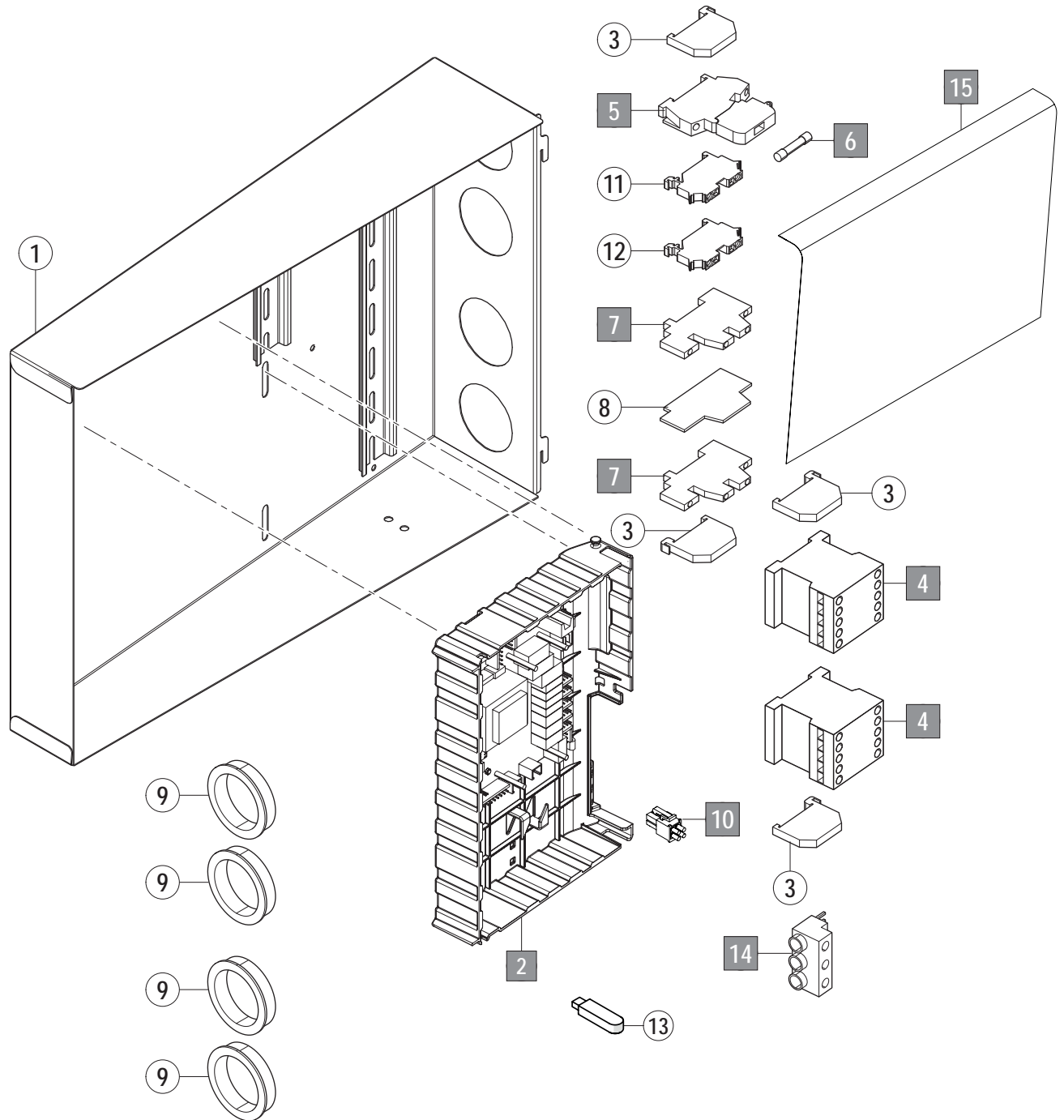
### 10. Boiler



Pos. no.	Part no.	Part name	Remarks
1	04-005585-006	Boiler, compl.	incl. Pos. 2 - 13, 22 without Pos. 4
2	01-539873-001	Hot water tank heater	incl. Pos. 3
3	01-240135-011	O-ring	
4	00-775612-001	Temperature sensor	
5	04-012851-001	Boiler overflow service kit	incl. Pos. 7, 14 and 15
6	04-005521-001	Blind flange	
7	00-276903-064	O-ring	
8	00-774080-001	Hose	
9	00-774512-001	Plug	
10	00-165128-001	Cable tie	
11	00-323945-015	Hose clip	
12	04-006291-001	Air chamber, replacement kit	O-ring, Nuts
13	00-276903-073	O-ring	
14	00-775531-001	Blind plug	
15	00-324510-356	Hose clip	
16	00-324097-000	Filler piece	
17	00-172986-025	Sealing	
18	00-324183-000	Nut	
19	01-539932-001	Hose	
20	00-324510-242	Hose clip	
99	04-005547-008	Screw kit boiler:	
	00-602501-000	Nut SK M5	17x
	00-602285-000	Washer 5.3 B	17x
	00-602502-000	Nut SK M6	2x
	00-602570-000	Screw SK M6x16	2x
	00-602286-000	Washer 6.4	2x
	00-605321-001	Nut SK M5	1x

## Switch box

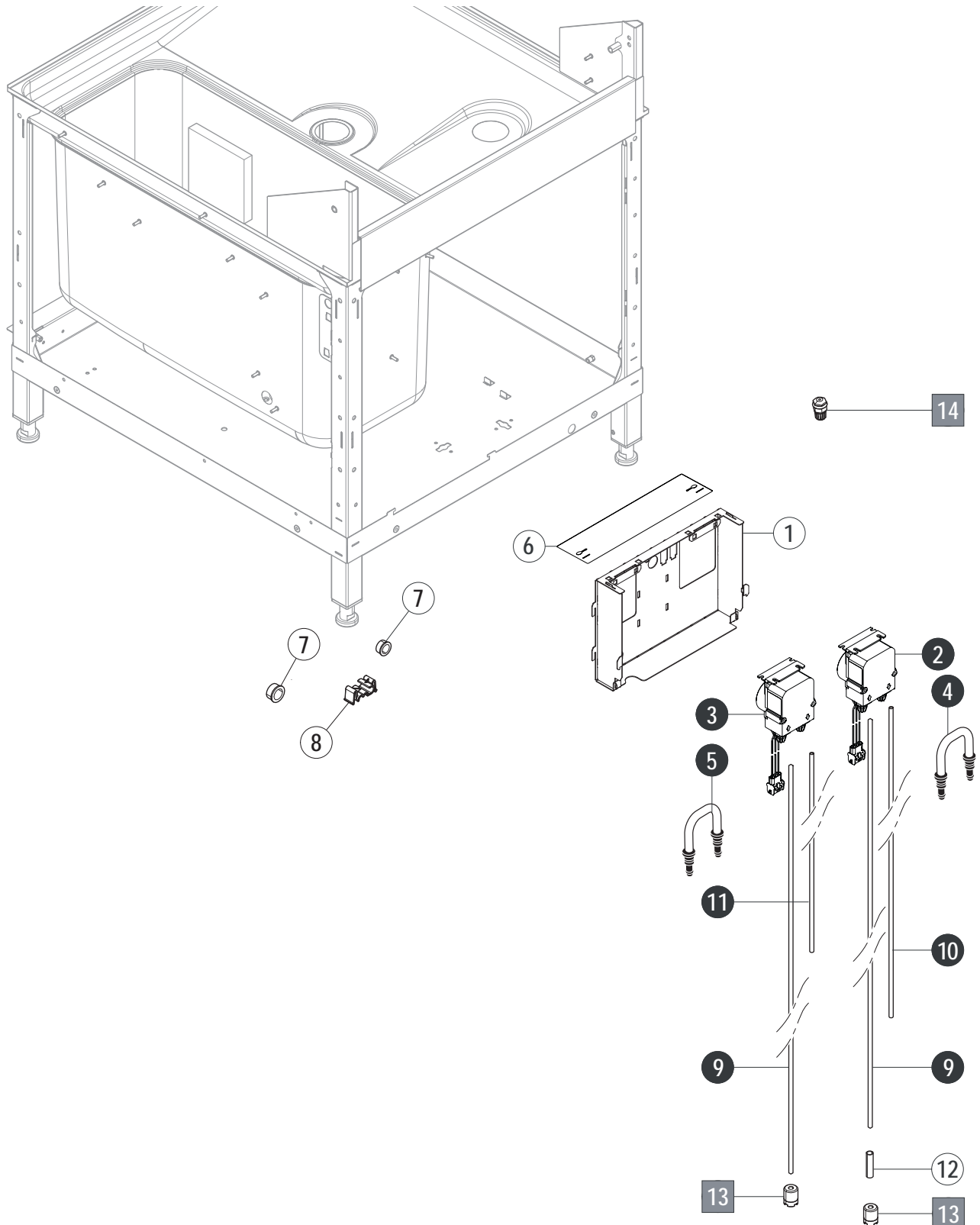
### 11. Switch box



Pos. no.	Part no.	Part name	Remarks
1	01-515747-001	welded control cabinet	
2	04-005708-001	Control cpl.	
	04-005706-001	Housing control	
3	00-323981-001	End clamp	
4	00-695521-062	Contactator	
5	00-775548-001	Fuse clip and disconnect terminal	
6	00-775570-001	Fuse	
7	00-785508-001	Two-tier terminal	
8	00-785508-011	Core end plate	
9	00-886756-001	Insulation bushing	
10	04-005178-002	Plug model coding with pump rinsing	
11	00-323979-006	Terminal strip	
12	00-323979-005	Terminal strip	
13	04-008029-001	USB flash drive	
14	04-008348-001	Terminal block feed	
15	01-240283-004	Protective sheet	

## Dosing (all models except ECO-U704-10B)

### 12. Dosing (all models except ECO-U704-10B)

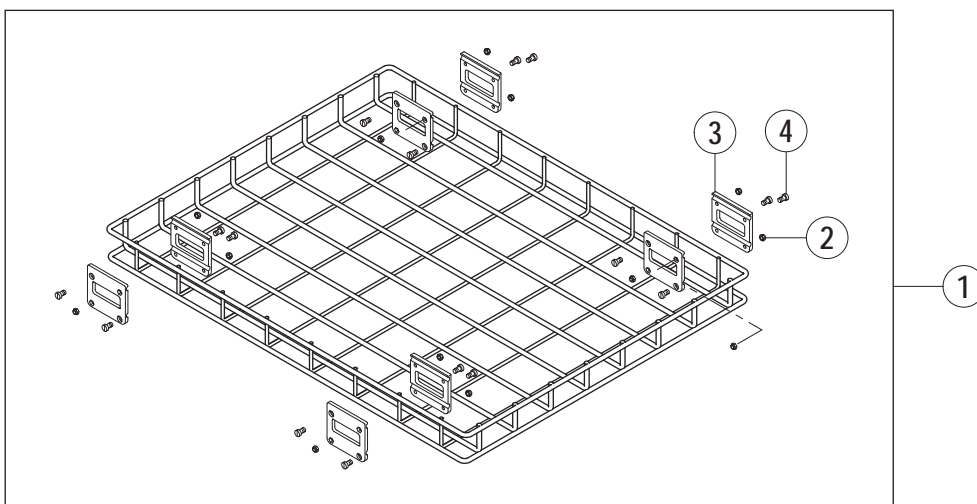


## Dosing (all models except ECO-U704-10B)

Pos. no.	Part no.	Part name	Remarks
1	01-539668-001	Bracket dosing unit	
2	04-005758-001	Dosing pump rinse aid	
3	04-005758-002	Dosing pump detergent	
4	04-005758-100	Spare parts kit mill hose rinse aid	
5	04-005758-200	Spare parts kit mill hose detergent	
6	04-005549-001	Cover	
7	00-886756-004	Insulation bushing	
8	01-515242-001	Hose guidance rail	
9	01-515410-011	Dosing hose	
10	01-515410-020	Dosing hose	
11	01-515410-016	Dosing hose	
12	01-246210-001	Hose shell, blue	
13	00-775239-001	Suction piece	
14	00-883676-001	Spare parts kit dosing nipple	
99	04-005547-009	Screw kit dosing pump:	
	01-515222-001	Screw KU 4x12	4x
	00-775460-001	Speed nut	4x

Racks

13. Racks



---

<b>Pos. no.</b>	<b>Part no.</b>	<b>Part name</b>	<b>Remarks</b>
1	01-510508-001	Universal rack complete	incl. Pos. 2 - 4
2	00-602490-000	Nut	
3	00-323635-000	Clip	
4	00-602619-000	Cap nut	

HOBART GmbH  
ecomax by HOBART  
Robert-Bosch-Str.17  
D-77656 Offenburg, Germany  
Phone +49(0)1803 66 29  
Fax +49(0)1803 63 29  
E-Mail: [info@ecomaxbyhobart.com](mailto:info@ecomaxbyhobart.com)  
Internet: [www.ecomaxbyhobart.com](http://www.ecomaxbyhobart.com)

Printed in Germany



FOODSERVICE EQUIPMENT SPARES LTD

UNIT 4 SANDBROOK PARK, SANDBROOK WAY, ROCHDALE, OL11 1RY

01706 353 633

SALES@FOODSERVICESPARES.COM



WWW.FOODSERVICESPARES.COM