



TECHNICAL DIAGRAMS



E514B-LS

01706 353 633

WWW.FOODSERVICESPARES.COM

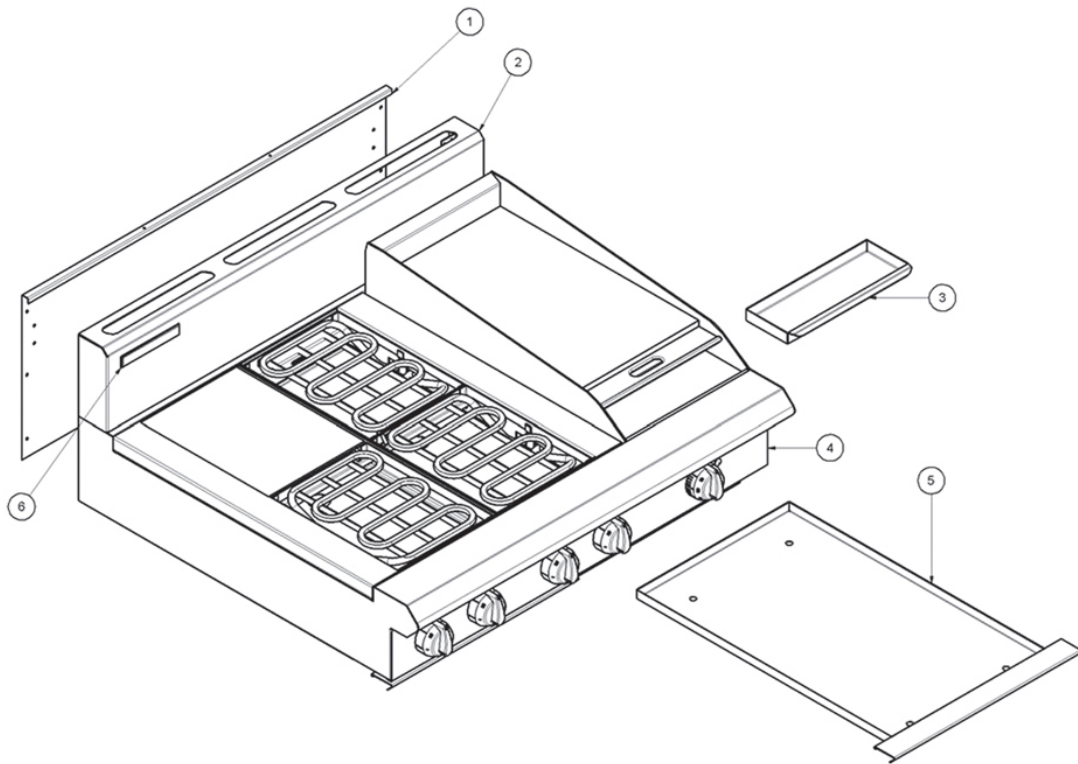
SPARE PARTS DIAGRAM FOR

BLUE SEAL EVOLUTION SERIES®

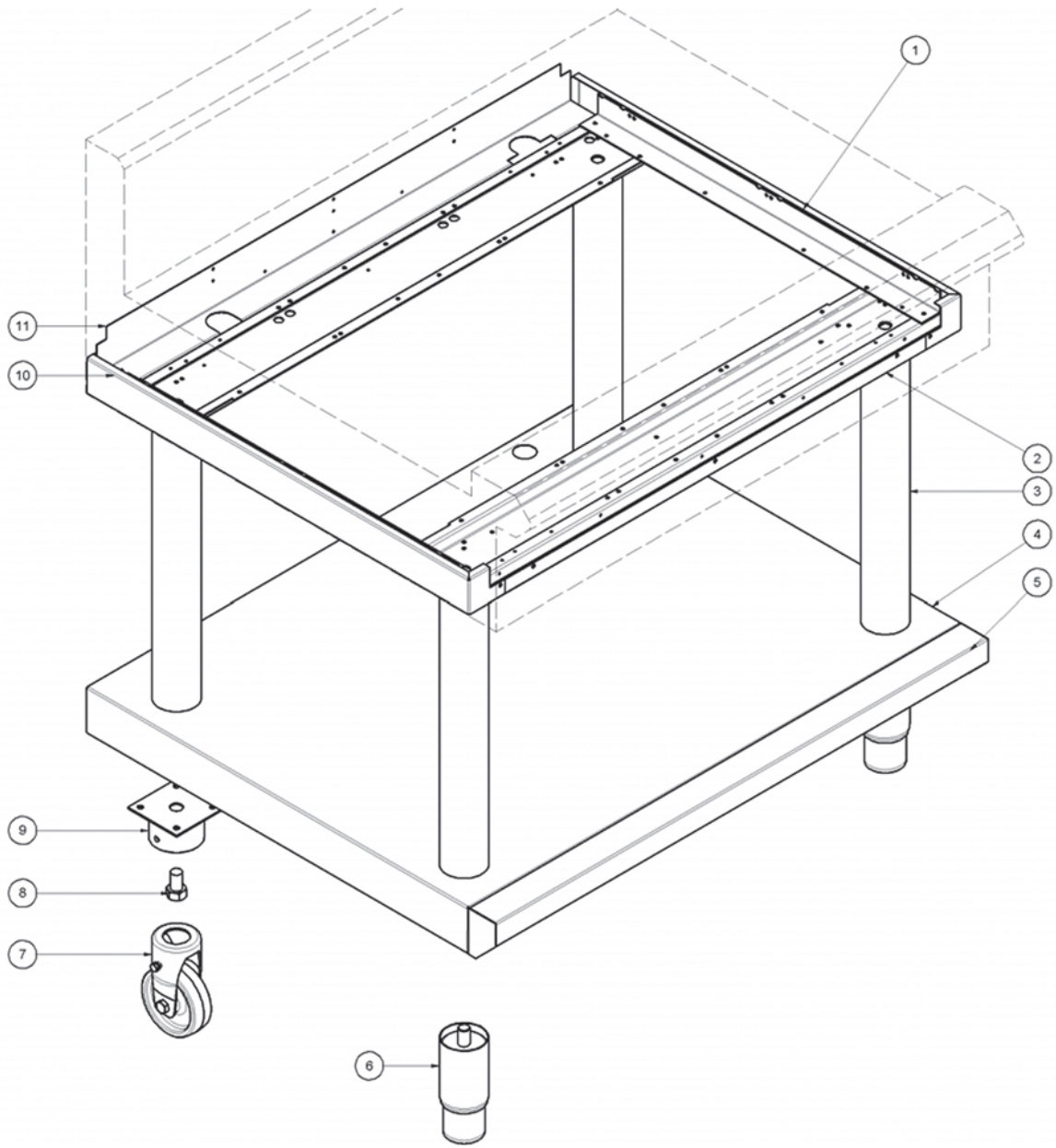
Cook-Tops

E514B-LS

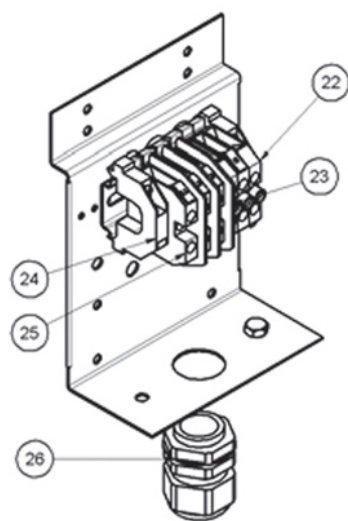
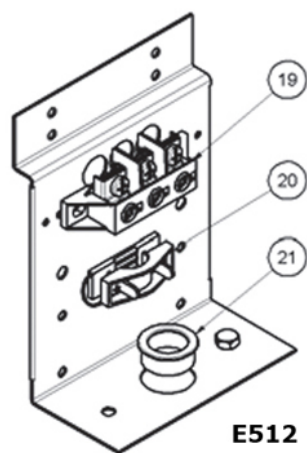
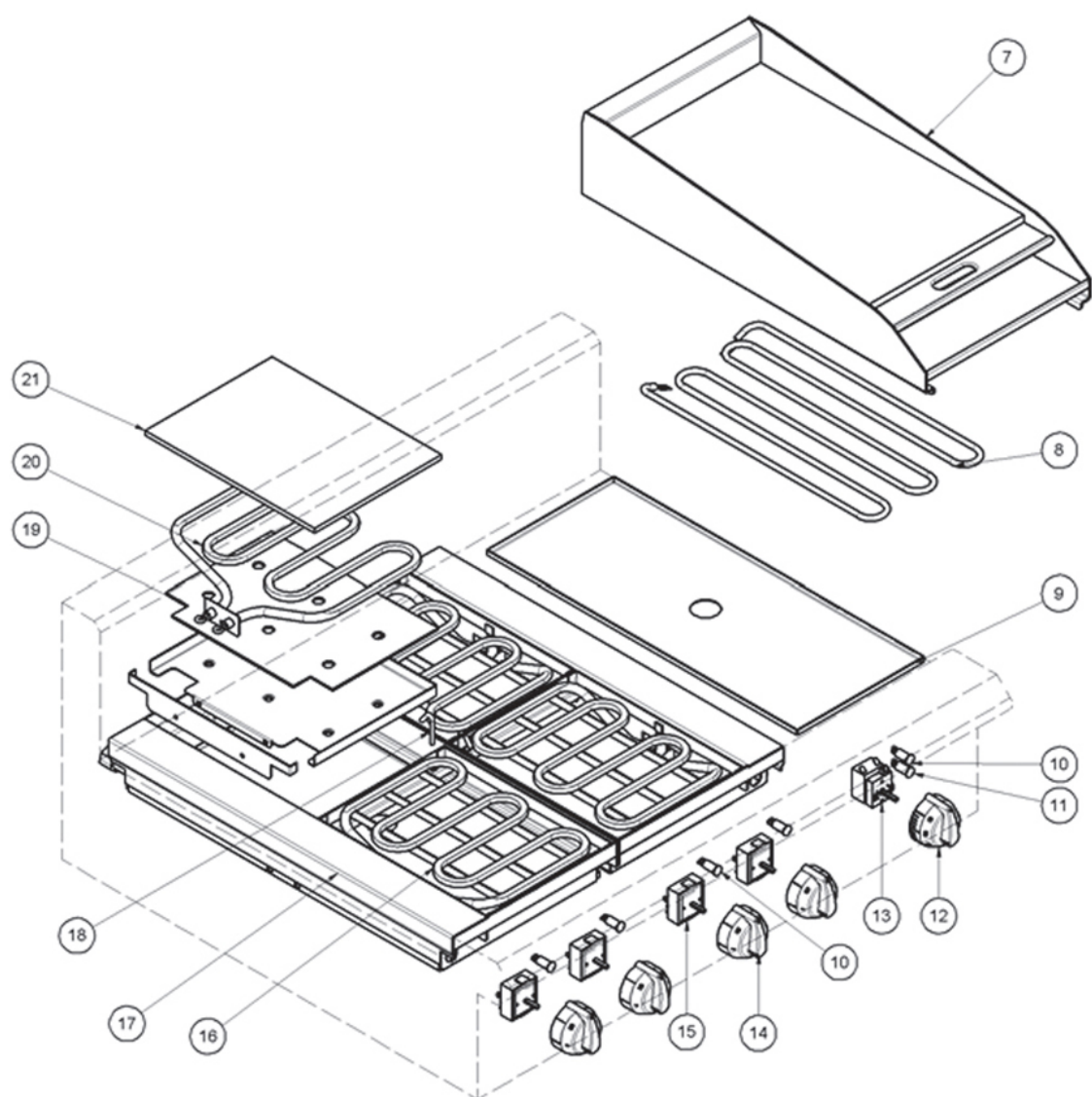




<input type="checkbox"/>	Item Number	Part Number	Description
<input type="checkbox"/>	1	228670	BACK PANEL 300mm (E512)
<input type="checkbox"/>	1	227794	BACK PANEL 600mm (E514)
<input type="checkbox"/>	1	227836	BACK PANEL 900mm (E516)
<input type="checkbox"/>	2	229367	SPLASHBACK BLUE SEAL 300mm (E512)
<input type="checkbox"/>	2	229368	SPLASHBACK BLUE SEAL 600mm (E514)
<input type="checkbox"/>	2	229369	SPLASHBACK BLUE SEAL 900mm (E516)
<input type="checkbox"/>	3	228288	GREASE TRAY
<input type="checkbox"/>	4	230273	SPILL TRAY 450mm WA BLUE SEAL (E516)
<input type="checkbox"/>	6	227960	BLUE SEAL BADGE
<input type="checkbox"/>	6	230277	SPILL TRAY 600mm WA BLUE SEAL (E514)
<input type="checkbox"/>	5	230286	SPILL TRAY 300mm WA BLUE SEAL (E512)
<input type="checkbox"/>	5	229393	CONTROL PANEL E516D
<input type="checkbox"/>	5	229390	CONTROL PANEL E514D
<input type="checkbox"/>	5	229391	CONTROL PANEL E514C
<input type="checkbox"/>	5	229392	CONTROL PANEL E514B
<input type="checkbox"/>	5	229395	CONTROL PANEL E516B
<input type="checkbox"/>	5	229396	CONTROL PANEL E516A



<input type="checkbox"/>	Item Number	Part Number	Description
<input type="checkbox"/>	1	230354	SIDE COVER RH
<input type="checkbox"/>	2	227123	TOP TRIM 600MM
<input type="checkbox"/>	2	227120	TOP TRIM 900MM
<input type="checkbox"/>	3	227853	LEG EXTENSION 530 X Ø63.5
<input type="checkbox"/>	4	227408	BASE TRAY 600MM
<input type="checkbox"/>	4	227407	BASE TRAY 900MM
<input type="checkbox"/>	5	227075	SILL 600MM WA
<input type="checkbox"/>	5	227901	SILL 900MM WA
<input type="checkbox"/>	6	227851	LEG 150MM X Ø63.5 EXTD THREAD
<input type="checkbox"/>	7	229674	REAR ROLLER ASSEMBLY
<input type="checkbox"/>	8	748010	SCREW 5/8"X1 HEX SET ZP
<input type="checkbox"/>	9	229673	LEG RING PLATE PLAIN
<input type="checkbox"/>	10	230355	SIDE COVER LH
<input type="checkbox"/>	11	228313	HOB BACK PANEL SUPPORT 600MM
<input type="checkbox"/>	11	228312	HOB BACK PANEL SUPPORT 900MM
<input type="checkbox"/>	11	231450	BENCH TO LEG STAND KIT 600MM
<input type="checkbox"/>	11	231451	BENCH TO LEG STAND KIT 900MM
<input type="checkbox"/>	11	235341	CAB BASE TO LEG STAND KIT 600MM
<input type="checkbox"/>	11	235342	CAB/FRIG BASE TO LEG STAND KIT 900MM



<input type="checkbox"/>	Item Number	Part Number	Description
<input type="checkbox"/>	7	229109	GRIDDLE PLATE C (300mm) ELEC WA
<input type="checkbox"/>	7	229107	GRIDDLE PLATE B (600mm) ELEC WA
<input type="checkbox"/>	7	229108	GRIDDLE PLATE A (900mm) ELEC WA
<input type="checkbox"/>	8	229022	GRIDDLE ELEMENT
<input type="checkbox"/>	9	229069	ELEMENT FRAME DRIP TRAY
<input type="checkbox"/>	10	228922	NEON WHITE
<input type="checkbox"/>	11	227963	NEON ORANGE
<input type="checkbox"/>	12	227392	KNOB BSEAL 6MM 320-50°C
<input type="checkbox"/>	13	11987	THERMOSTAT 50-320-DEG-C
<input type="checkbox"/>	14	227391	KNOB BLUE SEAL 6MM HI-4-3-2-1-LO
<input type="checkbox"/>	15	13989	REGULATOR EGO ENERGY
<input type="checkbox"/>	16	234076	ELEMENT RADIANT 2400W 12"x9"
<input type="checkbox"/>	17	229068	ELEMENT FRAME WA PLATED
<input type="checkbox"/>	18	10136	HOOK BOLT MODIFIED
<input type="checkbox"/>	19	13881	ELEMENT INSULATOR
<input type="checkbox"/>	20	12693	ELEMENT COIL 2000W
<input type="checkbox"/>	21	13880	ELEMENT PLATE
<input type="checkbox"/>	22	25714	TERMINAL BLOCK 10MM GREY
<input type="checkbox"/>	23	22296	PARTITION PLATE
<input type="checkbox"/>	24	20995	END ANCHOR
<input type="checkbox"/>	25	25715	TERMINAL BLOCK 10MM RED
<input type="checkbox"/>	26	20994	CABLE ENTRY BUSH GN26
<input type="checkbox"/>	27	14185	TERMINAL BLOCK
<input type="checkbox"/>	28	26161	CABLE CLAMP
<input type="checkbox"/>	29	19238	SNAP BUSH DIA26



FOODSERVICE EQUIPMENT SPARES LTD

UNIT 4 SANDBROOK PARK, SANDBROOK WAY, ROCHDALE, OL11 1RY

01706 353 633

SALES@FOODSERVICESPARES.COM



WWW.FOODSERVICESPARES.COM