



TECHNICAL DIAGRAMS



E44

01706 353 633

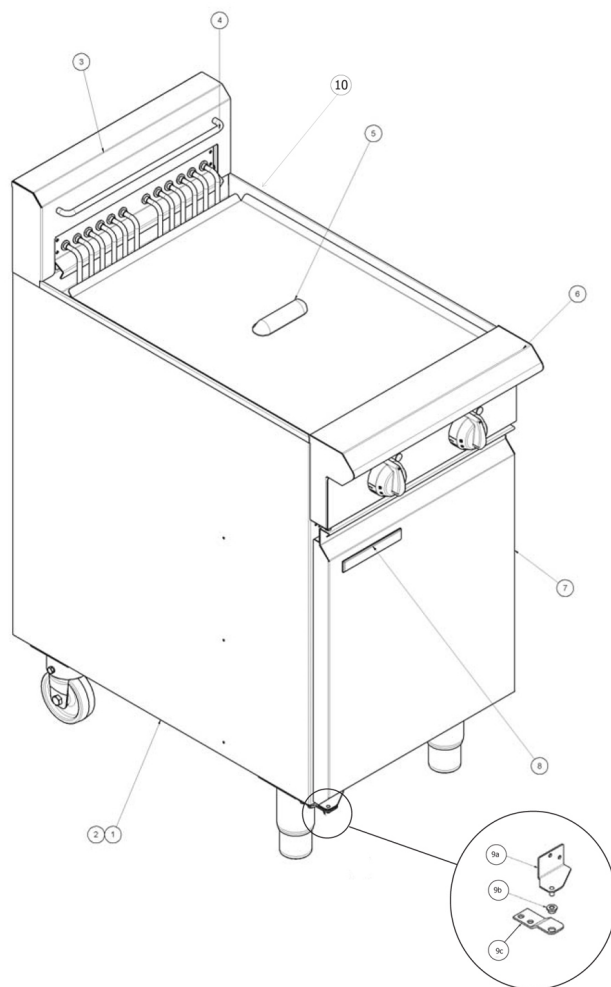
[WWW.FOODSERVICESPARES.COM](http://WWW.FOODSERVICESPARES.COM)

# SPARE PARTS DIAGRAM FOR

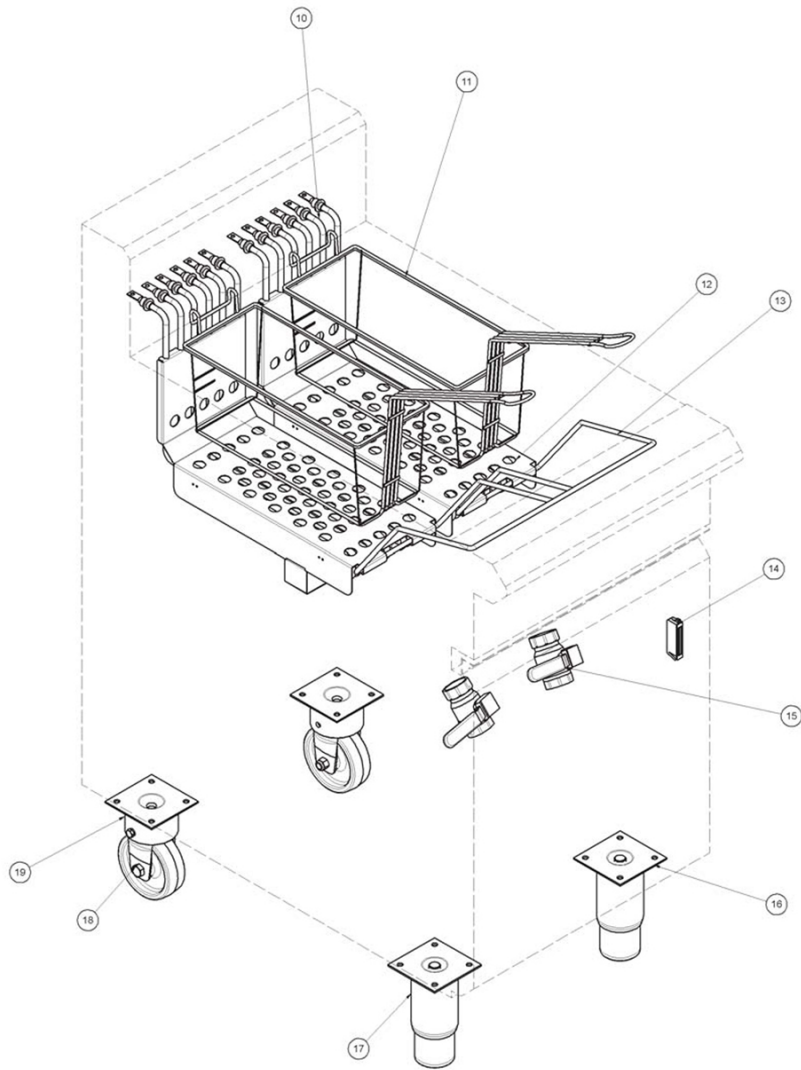
**BLUE SEAL EVOLUTION SERIES®**

Fryer  
E44

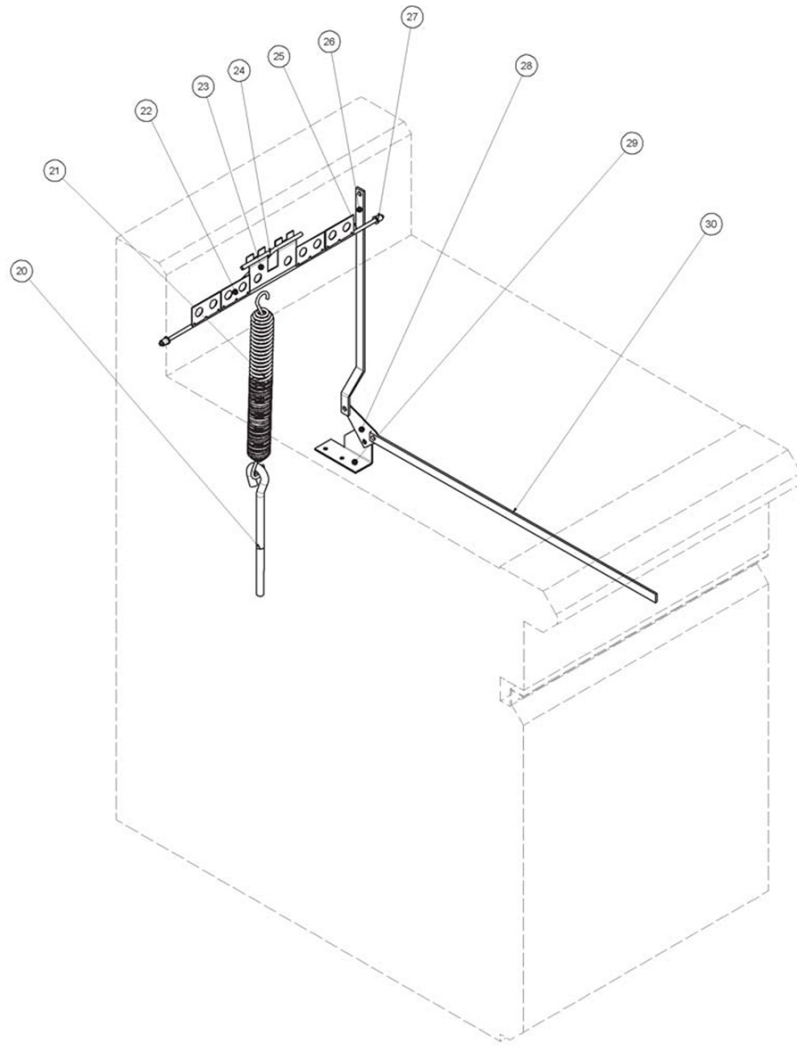




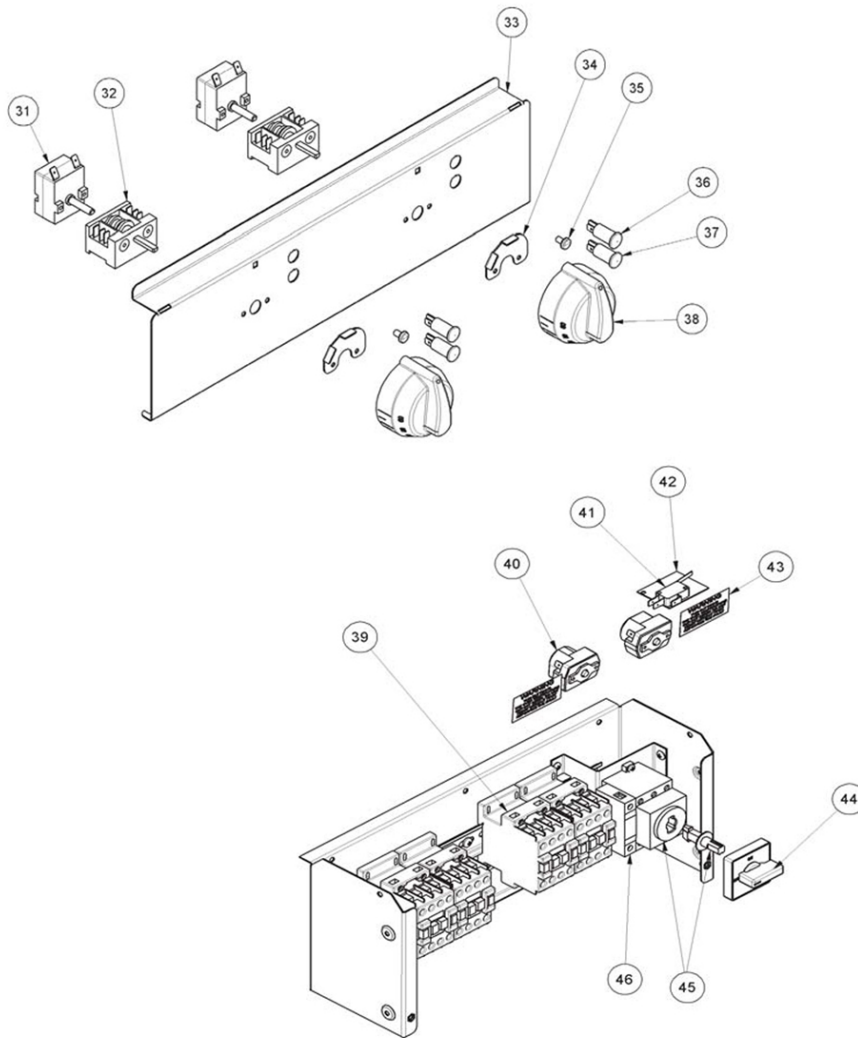
<input type="checkbox"/>	Item Number	Part Number	Description
<input type="checkbox"/>	1	227511	FRYER SIDE PANEL RH
<input type="checkbox"/>	2	227512	FRYER SIDE PANEL LH
<input type="checkbox"/>	3	228792	SPLASHBACK E43/44
<input type="checkbox"/>	4	227441	BASKET HANGER 370mm
<input type="checkbox"/>	5	228761	LID 450 FRYER
<input type="checkbox"/>	6	227762	HOB FRONT WA BSEAL
<input type="checkbox"/>	7	227449	DOOR HANDLE
<input type="checkbox"/>	7	228846	DOOR OUTER
<input type="checkbox"/>	7	227466	FRYER CATCH RECEIVER
<input type="checkbox"/>	7	228132	TUBE CLIP
<input type="checkbox"/>	8	227960	BADGE BLUESEAL
<input type="checkbox"/>	9a	228308	HINGE PIVOT WA
<input type="checkbox"/>	9c	228300	HINGE PLATE
<input type="checkbox"/>	9b	228301	HINGE BUSH
<input type="checkbox"/>	9b	234889	DOOR ASSEMBLY
<input type="checkbox"/>	10	227973	ELECTRIC FRYER TANK



<input type="checkbox"/>	Item Number	Part Number	Description
<input type="checkbox"/>	10	15299	ELEMENT 2833W 240V
<input type="checkbox"/>	11	18019	FRYER BASKET - STANDARD
<input type="checkbox"/>	12	228240	SEDIMENT TRAY WA E44
<input type="checkbox"/>	12	229420	TIE WIRE SHORT
<input type="checkbox"/>	13	228245	SEDIMENT TRAY HANDLE E44
<input type="checkbox"/>	14	227856	MAGNETIC CATCH 02-10-201-10
<input type="checkbox"/>	15	19390	BALL VALVE
<input type="checkbox"/>	16	227852	LEG PLATE
<input type="checkbox"/>	17	227850	LEG 150mm (FLUSH STUD)
<input type="checkbox"/>	18	229674	REAR ROLLER ASSY
<input type="checkbox"/>	19	229671	LEG RING PLATE THREADED



<input type="checkbox"/>	Item Number	Part Number	Description
<input type="checkbox"/>	20	14814	EYE BOLT M10 x 200 CW M10 NUT
<input type="checkbox"/>	21	14858	ELEMENT SPRING
<input type="checkbox"/>	22	229589	CAPILLARY PLATE ELECTRIC
<input type="checkbox"/>	23	229588	PIVOT CLAMP DOUBLE
<input type="checkbox"/>	24	14812	SPRING PIVOT ROD
<input type="checkbox"/>	25	229596	PIVOT ROD
<input type="checkbox"/>	26	228564	MICROSWITCH LINK ARM
<input type="checkbox"/>	27	227975	ELEMENT PIVOT BUSH
<input type="checkbox"/>	28	228539	ELEMENT SWITCH CRANK
<input type="checkbox"/>	29	228544	CRANK MTG BRACKET
<input type="checkbox"/>	30	228563	MICROSWITCH ACTUATOR ARM



<input type="checkbox"/>	Item Number	Part Number	Description
<input type="checkbox"/>	31	11982	THERMOSTAT 60°- 200°C
<input type="checkbox"/>	32	229355	SELECTOR SWITCH KIT
<input type="checkbox"/>	33	229411	CONTROL PANEL WA E44
<input type="checkbox"/>	34	234075	KNOB STOP PLATE 270 DEG (From lot No 1002000)
<input type="checkbox"/>	35	228571	INDEX MARK MOULDING
<input type="checkbox"/>	36	228922	NEON - WHITE
<input type="checkbox"/>	37	227963	NEON - ORANGE-4122000478
<input type="checkbox"/>	38	227389	KNOB BLUE SEAL 6mm 60-200 deg
<input type="checkbox"/>	39	15966	CONTACTOR 100C09VA10
<input type="checkbox"/>	40	24018	OVERTEMP THERMOSTAT 238°C
<input type="checkbox"/>	41	24802	DOOR MICROSWITCH E32/G32
<input type="checkbox"/>	42	13977	MICROSWITCH INSULATOR
<input type="checkbox"/>	43	21965	LABEL - RESET
<input type="checkbox"/>	44	228375	ACTUATOR ON/OFF RED/YELLOW
<input type="checkbox"/>	45	228374	LOAD SWITCH ON/OFF 32A 3 POLE
<input type="checkbox"/>	46	229582	NEUTRAL TERMINAL



FOODSERVICE EQUIPMENT SPARES LTD

UNIT 4 SANDBROOK PARK, SANDBROOK WAY, ROCHDALE, OL11 1RY

01706 353 633

SALES@FOODSERVICESPARES.COM



WWW.FOODSERVICESPARES.COM