



TECHNICAL DIAGRAMS

CLASSEQ

D400 DUO (REV G)

01706 353 633

WWW.FOODSERVICESPARES.COM

SPARE PARTS DIAGRAM FOR

CLASSEQ

Dish/Glass Washer
D400 DUO (Rev G)





CLASSEQ LTD

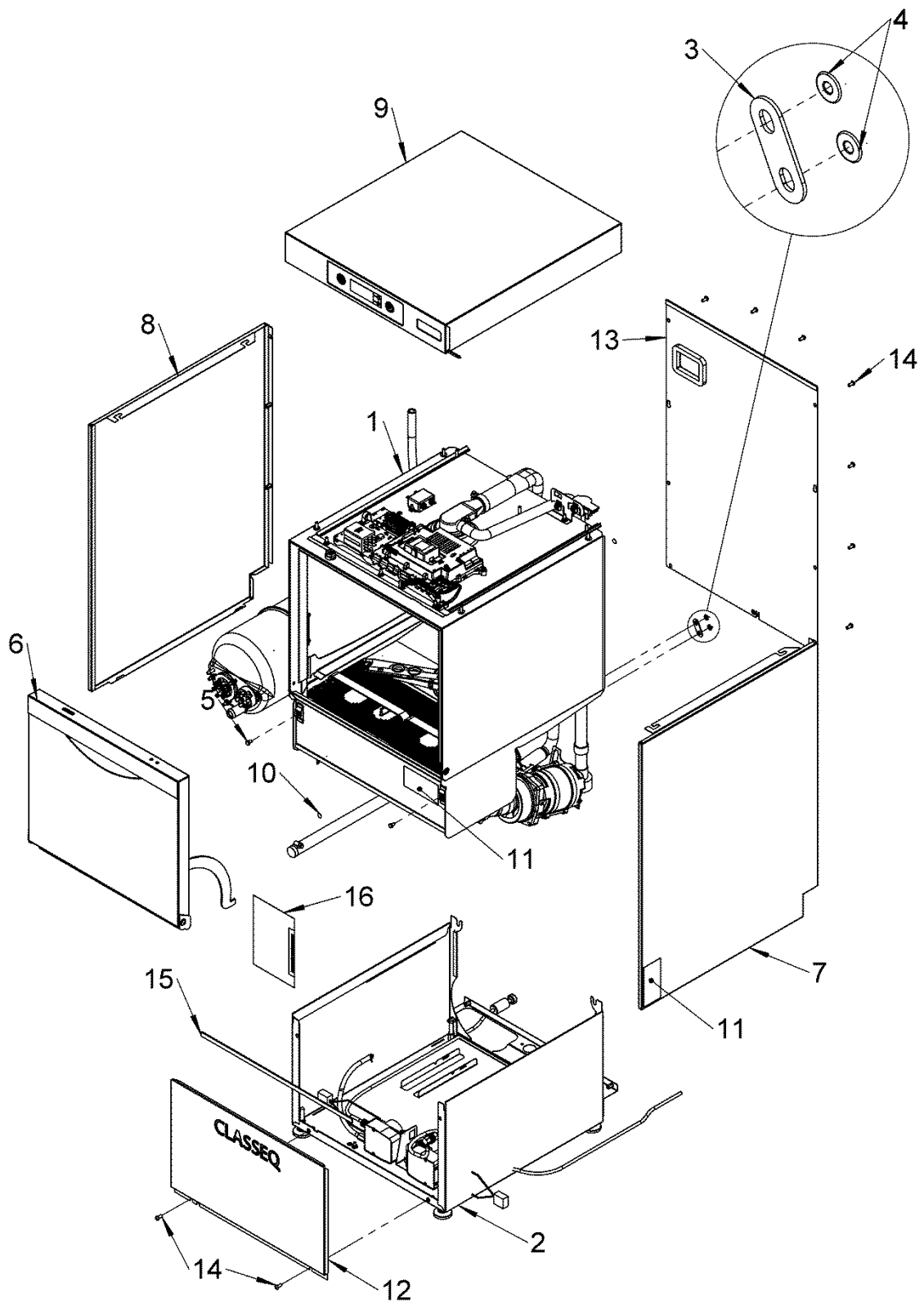
Spares manual

D400 DUO

Table of contents for D400 DUO

1.	Machine assembly.....	3
2.	Cabinet assembly	5
3.	Cabinet external assembly.....	7
4.	Control unit assembly	9
5.	Filters – Standard drain pump	11
6.	Filters – Premium drain pump	13
7.	Cabinet internal assembly.....	15
8.	Fill system.....	17
9.	Rinse tank assembly 2.6kW (30011804)	19
10.	Rinse tank assembly 6kW (30011284)	21
11.	Air break assembly (30011815)	23
12.	Rinse and wash system	25
13.	Centre boss assembly	27
14.	Wash pump assembly (30011812).....	29
15.	Rinse pump assembly (30011814)	31
16.	Wash arm 400mm Kit (62003531)	33
17.	Drain pump assembly	35
18.	Base assembly	37
19.	Chemical pump assembly	39
20.	Detergent pump assembly (30011805)	41
21.	Rinse aid pump assembly (30011806)	43
22.	Door assembly.....	45
23.	Top panel assembly LCD	47
24.	400mm DS Top Panel LCD assembly (30006480)	49
25.	Cable Accessories.....	51
26.	Accessories.....	53
27.	Mains cables.....	53

1. Machine assembly

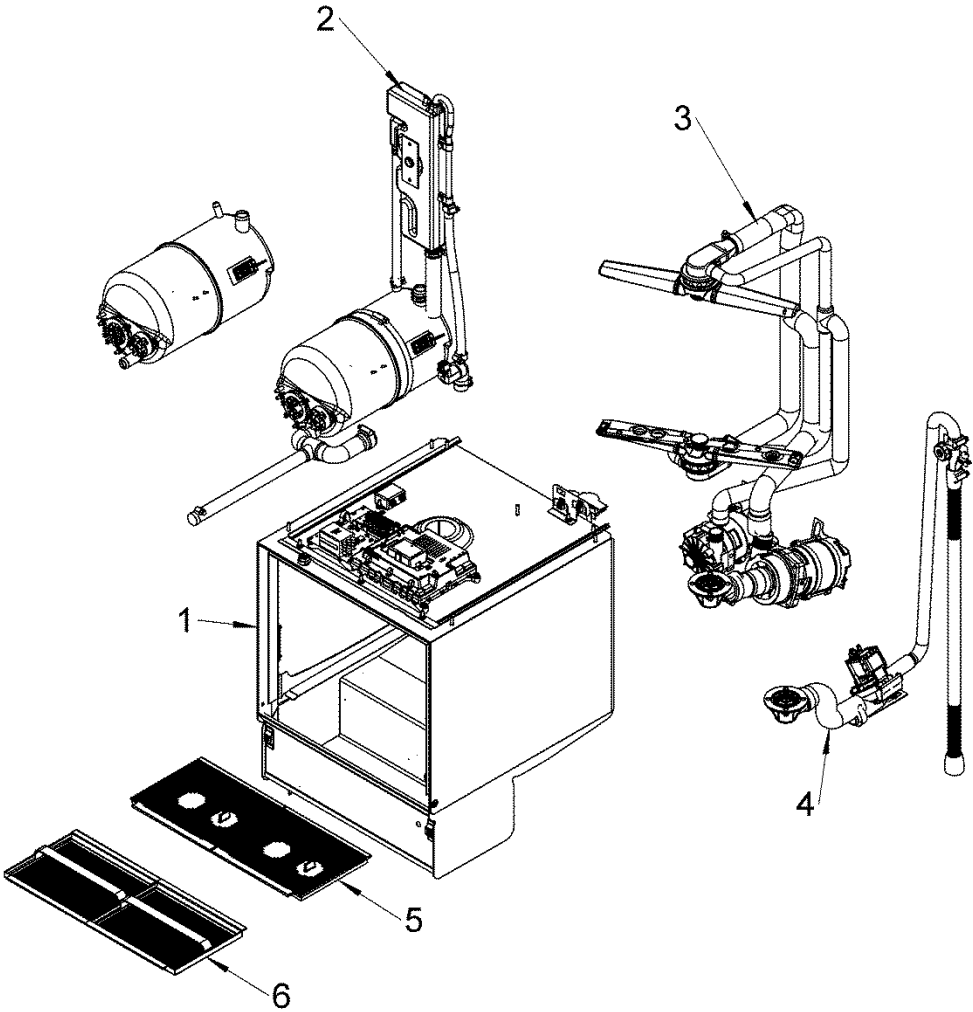


30012289-C

1. Machine assembly – BOM

Item	Description	Part number	QTY.	Note
1	400mm AB Dish cabinet assembly		1	
2	400mm Base assembly		1	
3	Bracket - cabinet to base	30001833	2	
4	M5 Flange nut (DIN 6923)	30001186	4	
5	M5 x 8 hex head screw (ISO 4017)	30001124	2	
6	400mm Door assembly	30003317	1	
7	400mm RH side panel assembly	30011666	1	
8	400mm LH side panel assembly	30011667	1	
9	400mm DS Top panel LCD components assembly	30003316	1	
10	Earth sticker	30008786	3	
11	Rating plate		2	
12	400mm Bottom front panel	30011673	1	
13	400mm AB Rear panel assembly	30012290	1	
14	M5 x 12 Hex socket button head screw	30006300	12	
15	400mm Foam seal	30011635	1	
16	Document enclose envelope		1	
17	Mains cables		1	Not shown
18	400mm Dishwasher accessories	30003321	1	Not shown

2. Cabinet assembly

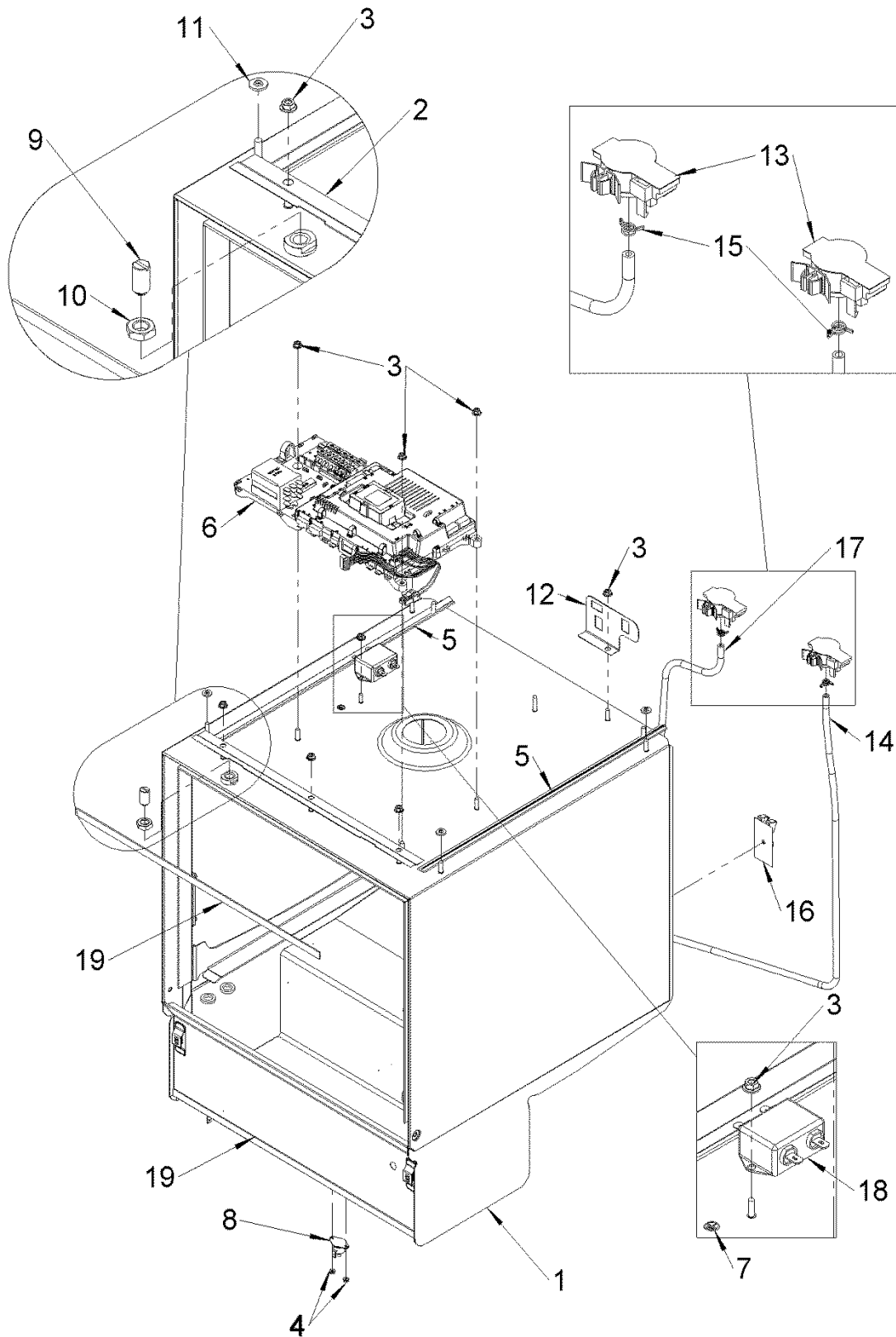


30012286-A

2. Cabinet assembly – BOM

Item	Description	Part number	QTY.	Note
1	400mm AB wash cabinet assembly - external		1	
2	400mm AB fill system		1	
3	400mm AB Dish wash & rinse system		1	
4	400mm Standard drain pump system		1	
5	400mm Primary filter kit - Pumped drain - Standard	30003329	1	For pump drain machines only
6	400mm Primary filter kit - Pumped drain - Premium	30003330	1	For pump drain machines only

3. Cabinet external assembly

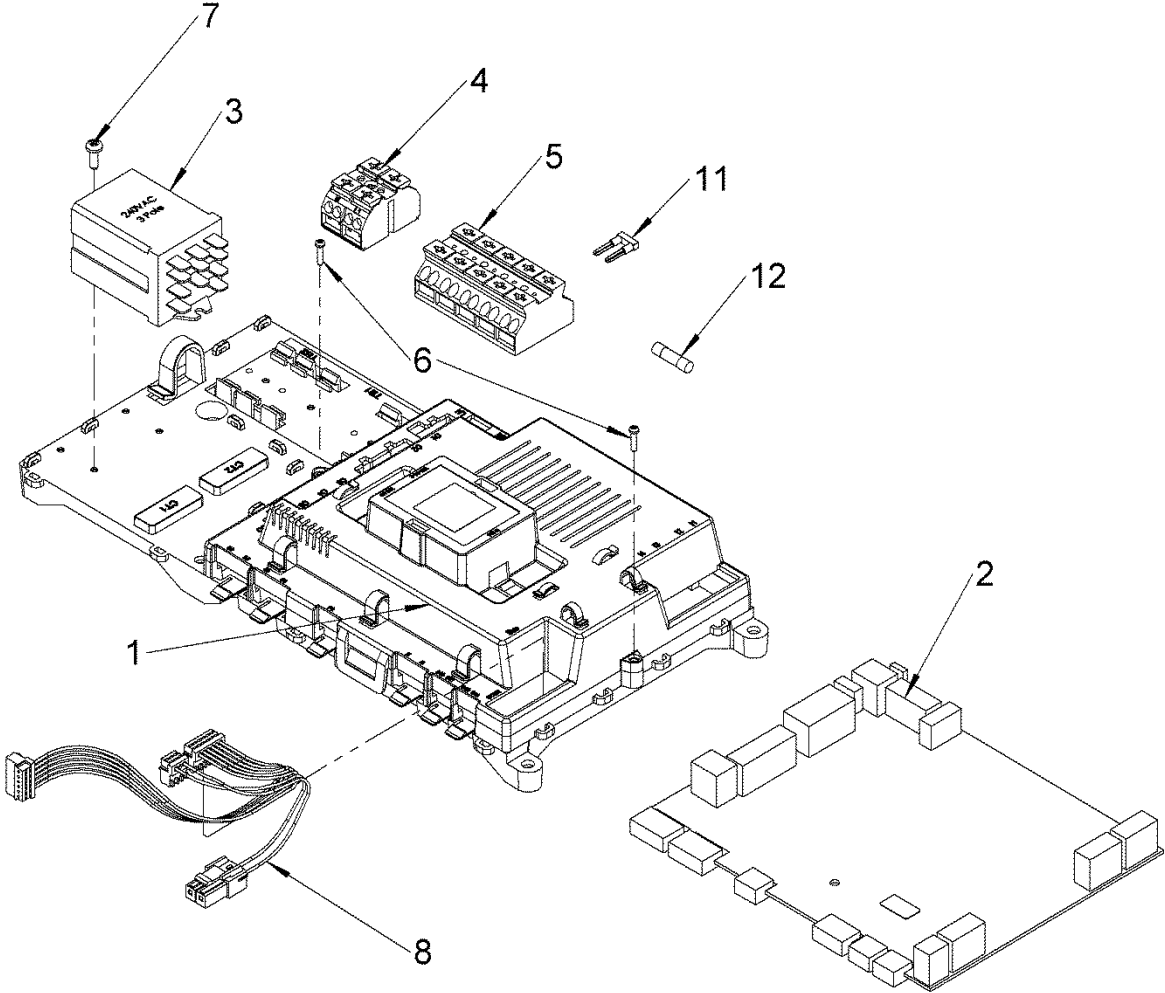


30012285-C

3. Cabinet external assembly – BOM

Item	Description	Part number	QTY.	Note
1	400mm - Standard wash cabinet-internal assembly		1	
2	400mm Front water manage plate	30011652	1	
3	M5 Flange nut (DIN 6923)	30001186	8	
4	M3 Flange nut (DIN 6923)	30001171	2	
5	Side water management seal - 400/350mm	30012007	2	
6	Control unit assembly		1	
7	Earth sticker	30008786	1	
8	Overheat stat 1 Pole 85°C	30007917	1	
9	Ball catch - M12	30001064	1	
10	M12 Thin nut	30001070	1	
11	M5 Press nut	30011807	4	
12	Air pressure sensor bracket	30011625	1	
13	Pressure sensor	3126044	2	
14	Wash APS Tube - 400 / 500	30014330	1	
15	Spring Clip - Ø7.8mm to Ø8.3mm	30001083	4	
16	Kit thermo sensor	30002179	1	
17	400mm WS rinse APS tube	30011888	1	
18	UC Mains filter	30012203	1	
19	400mm Foam seal	30011635	2	

4. Control unit assembly

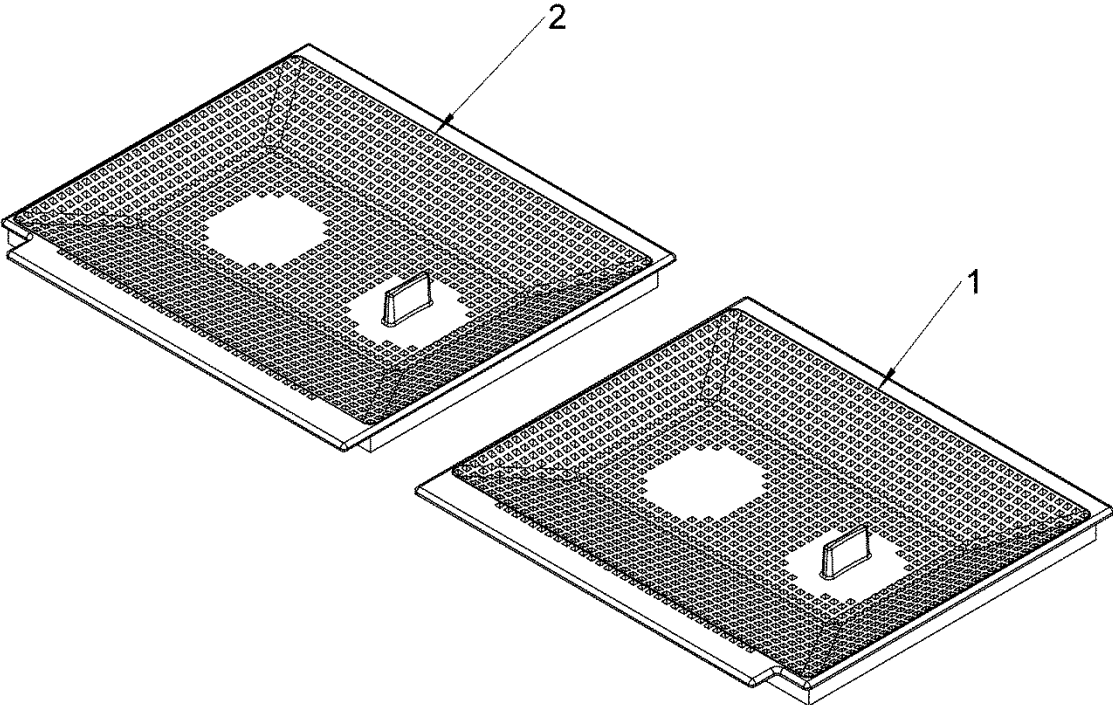


30012350-B

4. Control unit assembly – BOM

Item	Description	Part number	QTY.	Note
1	Control board enclosure assembly	30012023	1	
2	ZSE mini full assembly	30012356	1	
3	3 Pole Change Over relay	30000984	1	
4	2 pole terminal block	30011526	1	13A machines
5	Terminal Block - 5 Pole - Grip Type	30001146	1	30A and 3 phase machines
6	2.5x10mm PT screw	30011824	2	
7	3.5x10mm posi pan head PT screw	30011825	1	
8	Wiring harness - 350/400/500 UI/Door	30011863	1	
9	Wiring harness 350-400 13A		1	13A machines
10	Wiring harness - 400mm 13A/30A/3P WS		1	30A and 3 phase machines
11	WAGO 5 pole jumping bar	30008142	1	Refer wiring diagram for quantity
12	4 Amp Fine Fuse ZSE	3111123	1	

5. Filters – Standard drain pump

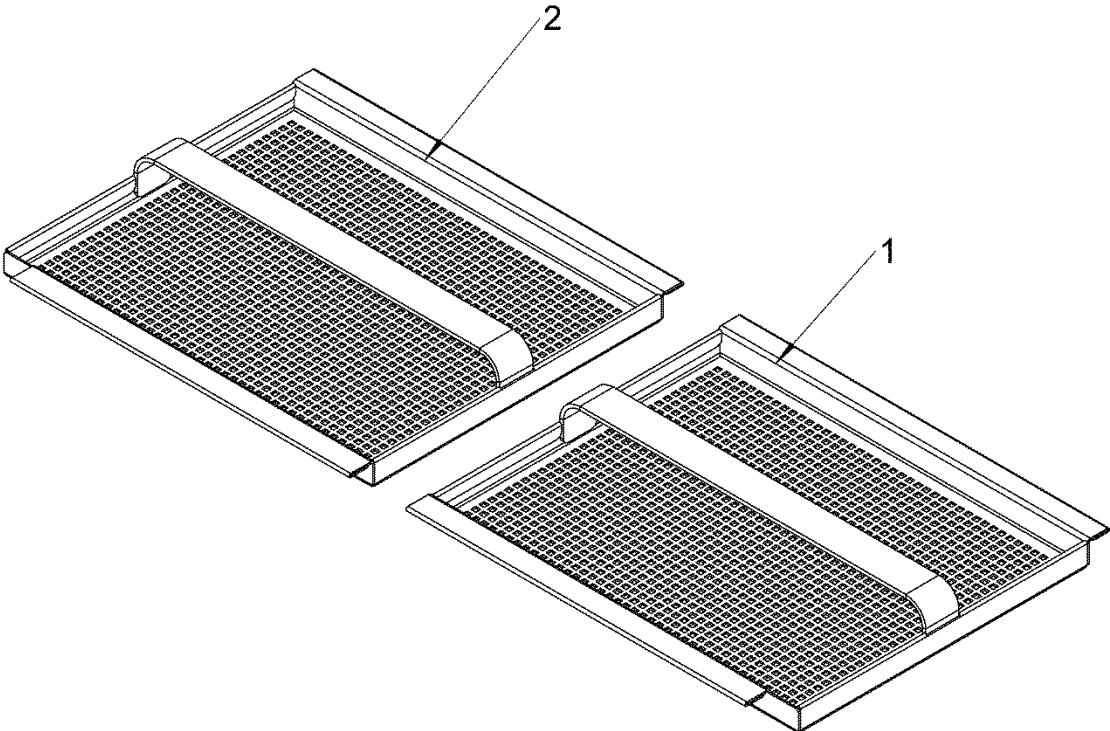


30003329-A

5. Filters – Standard drain pump – BOM

Item	Description	Part number	QTY.	Note
1	Wash filter RH - 400mm - Drain pump	30000942	1	
2	Wash Filter - LH - 400mm	30000943	1	

6. Filters – Premium drain pump

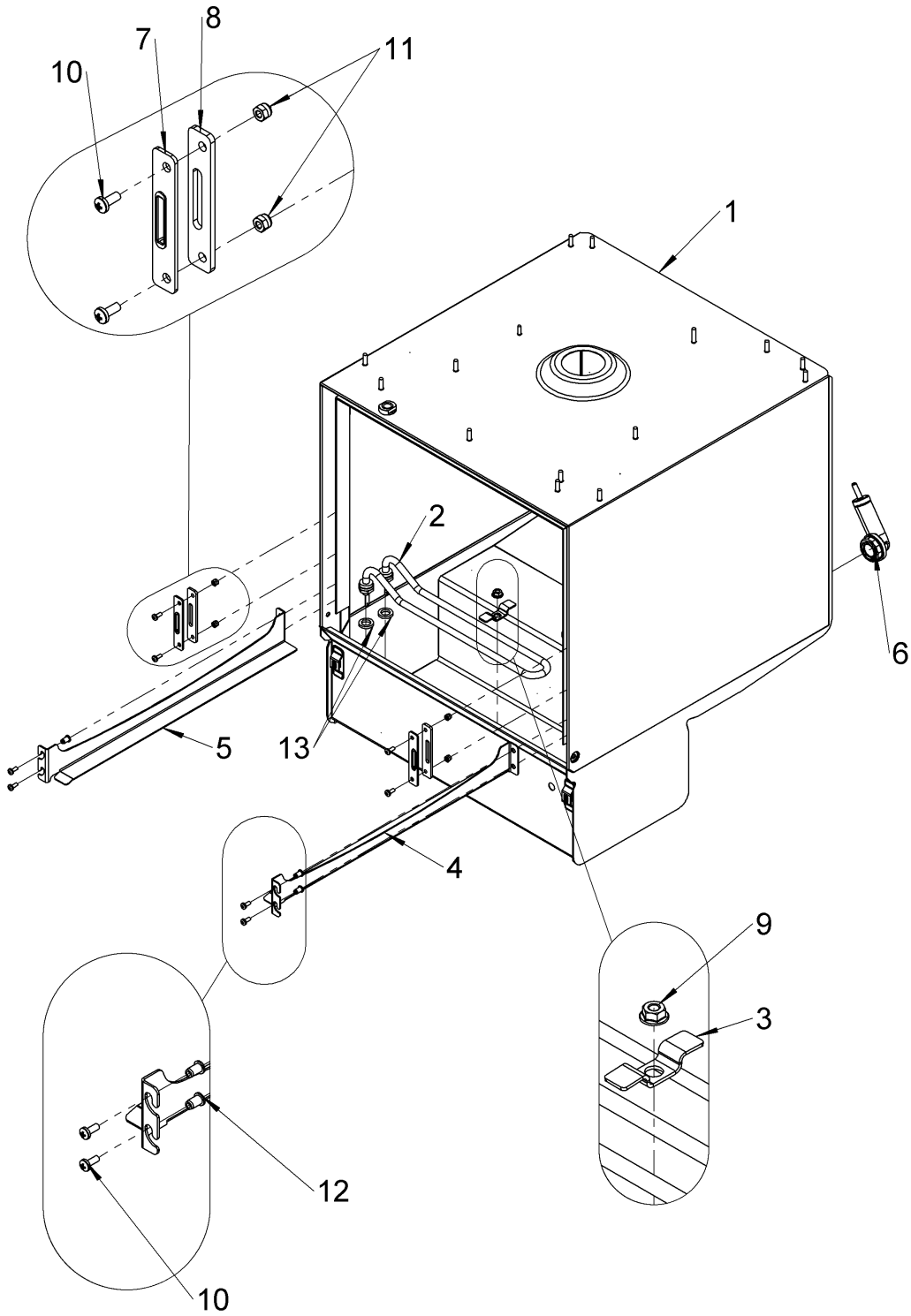


30003330-A

6. Filters – Premium drain pump – BOM

Item	Description	Part number	QTY.	Note
1	RH Filter assembly - 400	30011769	1	
2	LH Filter assembly - 400	30011770	1	

7. Cabinet internal assembly

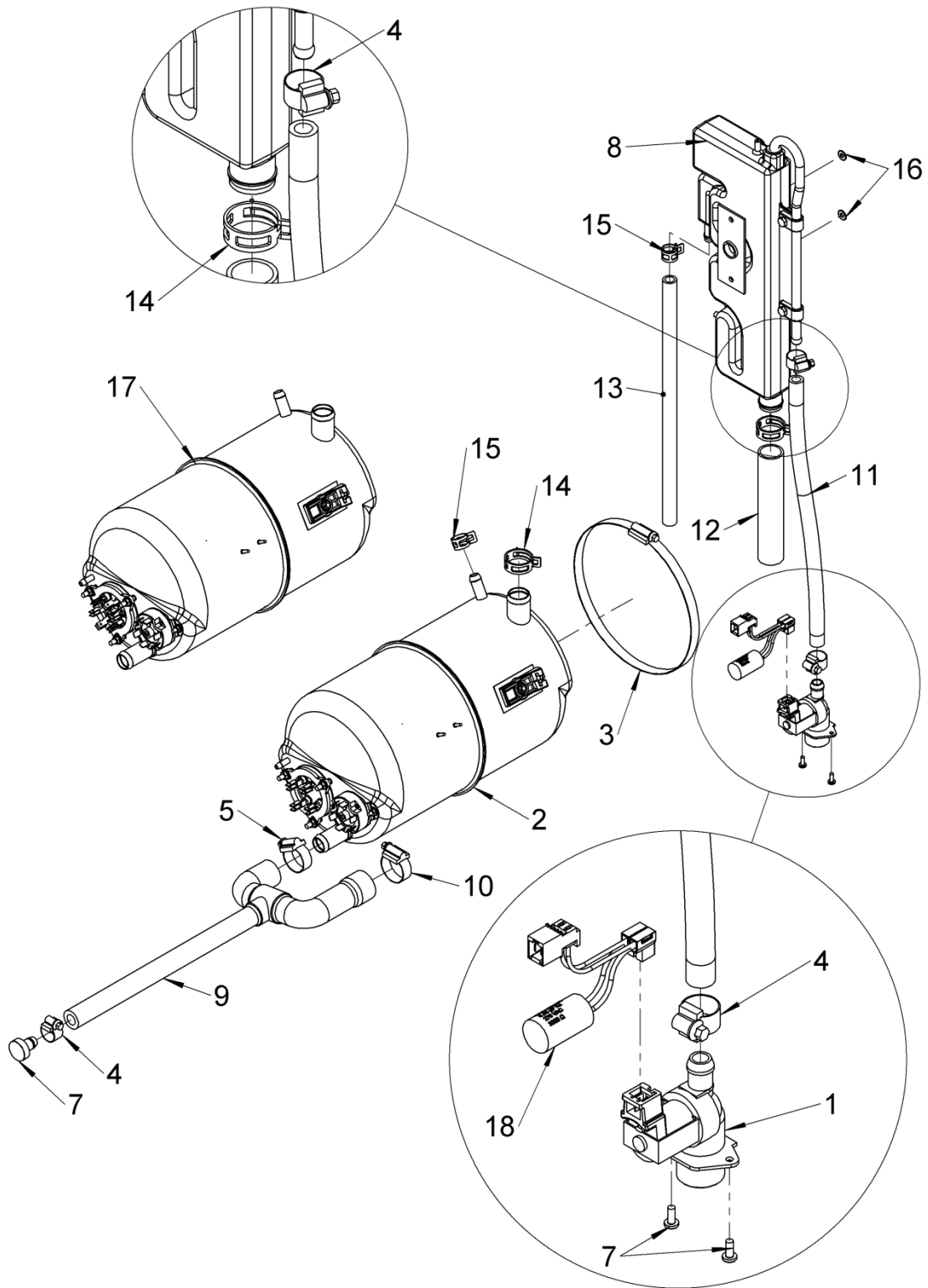


30003323-B

7. Cabinet internal assembly – BOM

Item	Description	Part number	QTY.	Note
1	400mm cabinet weld assembly		1	Not available as a spare
2	2kW Wash element	30000975	1	Includes 2x Washers & 2x M12 fine thread thin nut
3	Wash Element Retaining Bracket	30006126	1	
4	400 RH Basket ramp	30001046	1	
5	400 LH Basket ramp	30001047	1	
6	Air chamber assembly kit	60003525	1	
7	Door Inlay	30001061	2	
8	Plate - Door stop	30001062	2	
9	M6 Flange nut (DIN 6923)	30001848	1	
10	M4 x 10mm Posi pan head screw	30006293	8	
11	M4 Nylock nut (ISO 7040)	30001172	4	
12	Round nutserts	30001075	4	
13	Wash element fibre washer 19mmx3mm	30014272	2	For wash element

8. Fill system

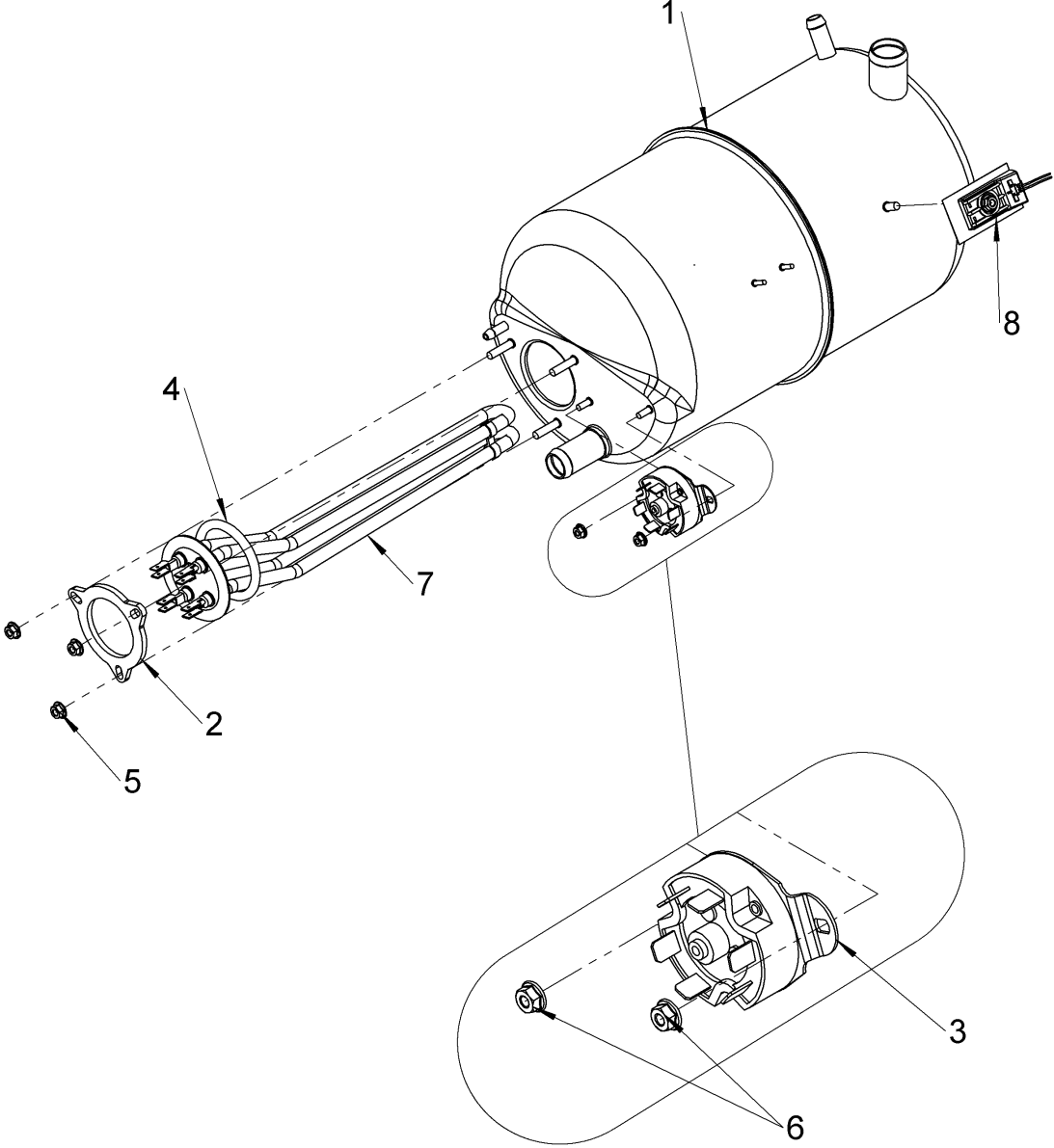


30012283-C

8. Fill system – BOM

Item	Description	Part number	QTY.	Note
1	Solenoid valve - 11L/min	30011638	1	
2	Rinse boiler - 6.5L - 2.6kW	30011804	1	13A machines
3	Jubilee clip - 160mm - 180mm	30001113	1	
4	Jubilee Clip - 12mm to 22mm	30001088	3	
5	Jubilee Clip - 20mm to 32mm	30001112	1	
6	Sp. Jubilee Clip - 25mm to 40mm	30013293	1	
7	M4 x 10mm Posi pan head screw	30006293	2	
8	Stopper end cap	70007962	1	
9	Air gap assembly	30011815	1	
10	Rinse pump inlet hose - 500mm	30011741	1	
11	Solenoid to air gap hose - 400mm	30011750	1	
12	Rinse boiler fill tube - 400mm	30006052	1	
13	Rinse boiler breather - 400mm DUO	30006060	1	
14	Spring band - Ø30mm	30002578	2	
15	Spring band - Ø16mm	30008920	2	
16	M5 Flange nut (DIN 6923)	30001186	2	
17	Rinse Boiler - 6.5L - 6kW	30011284	1	30A and 3 phase machines
18	RC Filter Connector Kit	30014594	1	

9. Rinse tank assembly 2.6kW (30011804)

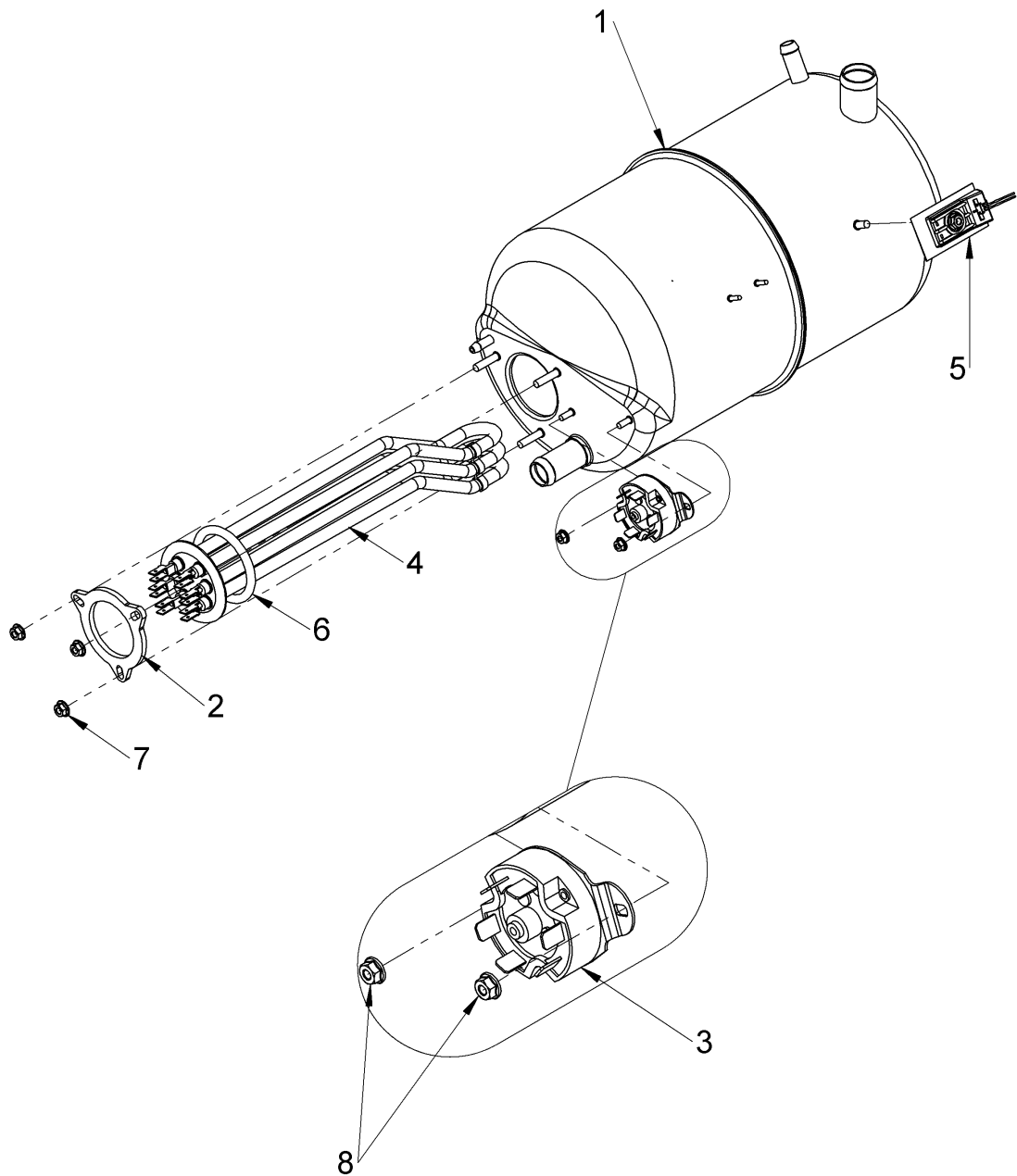


30011804-A

9. Rinse tank assembly 2.6kW – BOM

Item	Description	Part number	QTY.	Note
1	Rinse boiler - 6.5L	30011840	1	
2	Bracket - rinse element	0117003	1	
3	Manual reset thermal trip switch - 3 pole - 95°C	30006090	1	
4	O-Ring - Ø46 x Ø6	30000947	1	
5	M5 Flange nut (DIN 6923)	30001186	3	
6	M4 Flange nut (DIN 6923)	30006237	2	
7	2.6kW rinse element	30011828	1	
8	Kit thermo sensor	30002179	1	

10. Rinse tank assembly 6kW (30011284)

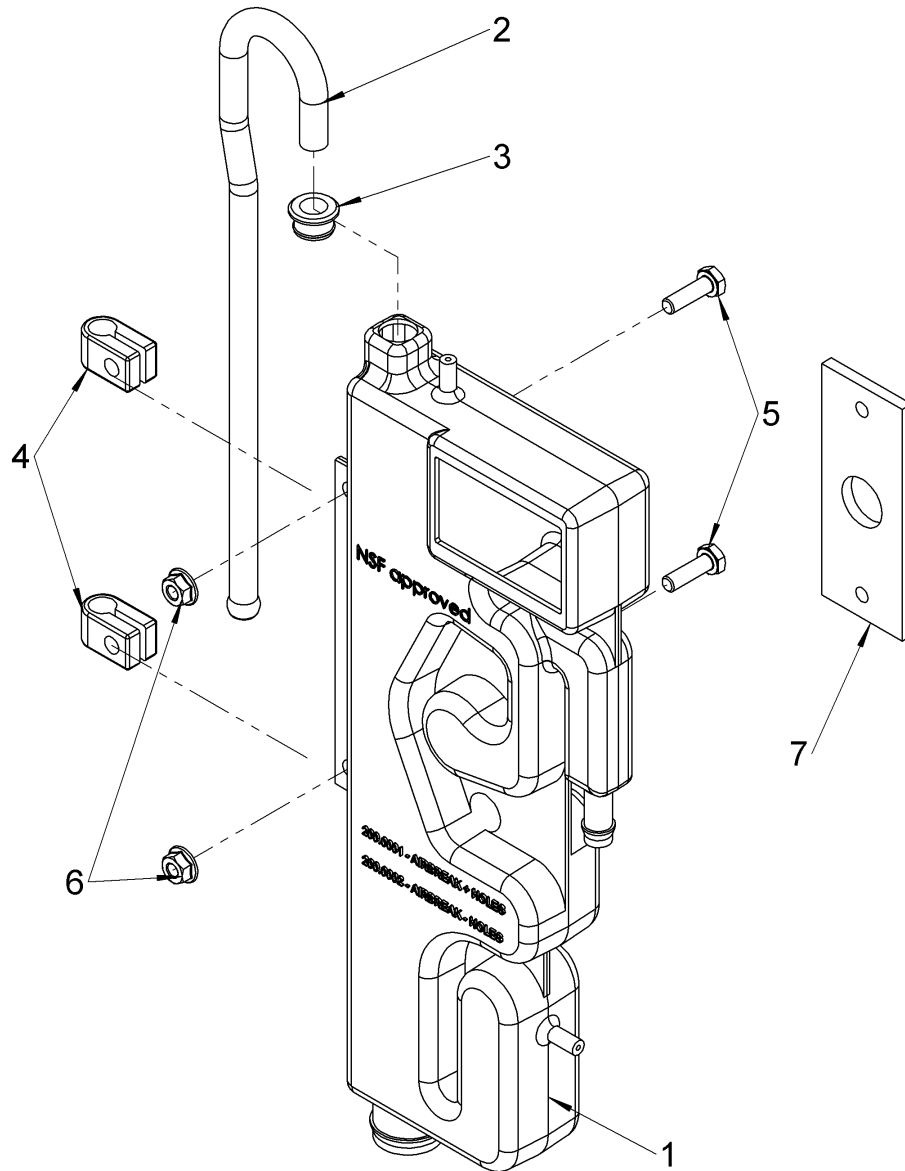


30011284-A

10. Rinse tank assembly 6kW - BOM

Item	Description	Part number	QTY.	Note
1	Rinse boiler - 6.5L	30011840	1	
2	Bracket - rinse element	0117003	1	
3	Manual reset thermal trip switch - 3 pole - 95°C	30006090	1	
4	6kW element - no phile	30011827	1	
5	Thermal sensor kit	30002179	1	
6	O-Ring - Ø46 x Ø6	30000947	1	
7	M5 Flange nut (DIN 6923)	30001186	3	
8	M4 Flange nut (DIN 6923)	30006237	2	

11. Air break assembly (30011815)



30011815-A

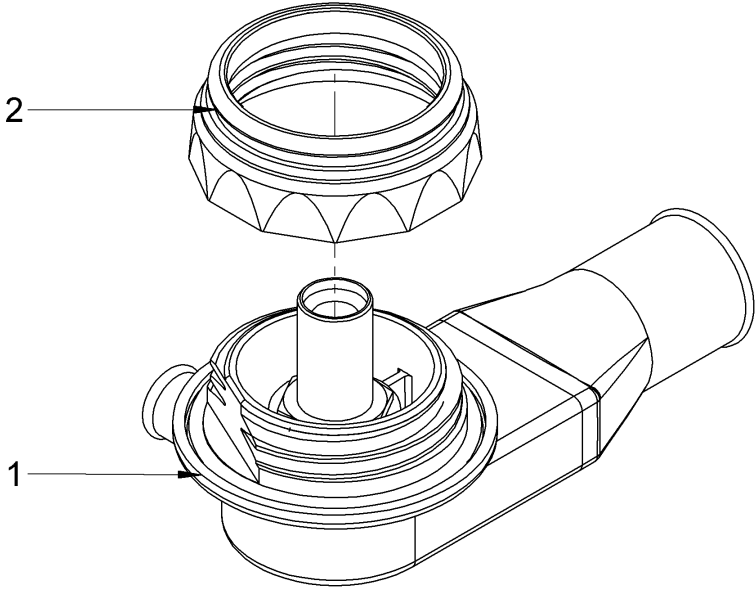
11. Air break assembly – BOM

Item	Description	Part number	QTY.	Note
1	Air break tank	30001078	1	
2	Air break feeder tube	30001079	1	
3	Air break plug	30012160	1	
4	Cable cleat - No 4	30001844	2	
5	M6 x 20 hex head screw (ISO 4017)	30001080	2	
6	M6 Flange nut (DIN 6923)	30001848	2	
7	Air break seal	30012588	1	

12. Rinse and wash system – BOM

Item	Description	Part number	QTY.	Note
1	Centre boss assembly	30003284	2	
2	0.1kW Rinse pump assembly	30011814	1	
3	Rinse arm assembly	60005249	2	
4	Rinse system hose - 400mm	30001086	1	
5	0.25kW Wash pump assembly	30011812	1	
6	Wash arm 400mm Kit	62003531	2	
7	Wash & Waste outlet manifold kit	30000625	1	
8	Wash pump outlet hose - 400mm - DW	30001106	1	
9	Secondary filter	30011849	1	
10	Jubilee Clip - 16mm to 27mm	30001799	2	
11	Jubilee clip - 32mm to 50mm	30001114	3	
12	Jubilee Clip - 20mm to 32mm	30001112	1	
13	M5 Flange nut (DIN 6923)	30001186	4	

13. Centre boss assembly

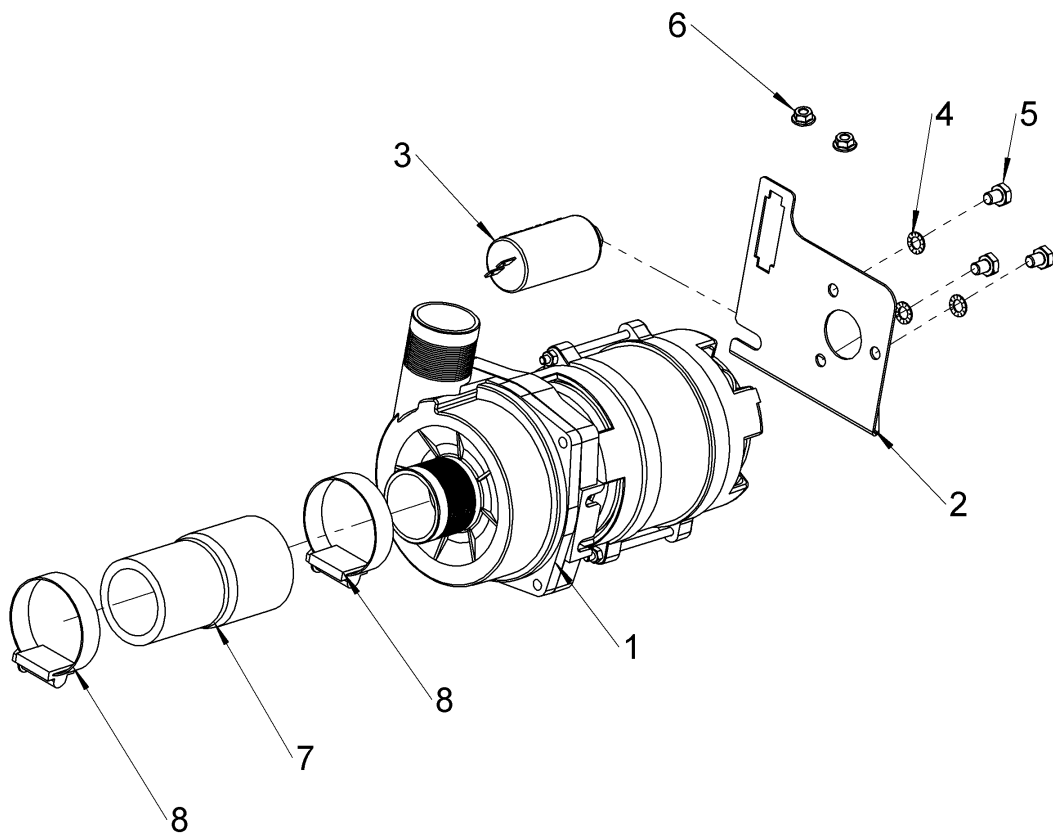


30003284-A

13. Centre boss assembly – BOM

Item	Description	Part number	QTY.	Note
1	Centre boss assembly	30012323	1	
2	Lock nut	60003005	1	

14. Wash pump assembly (30011812)

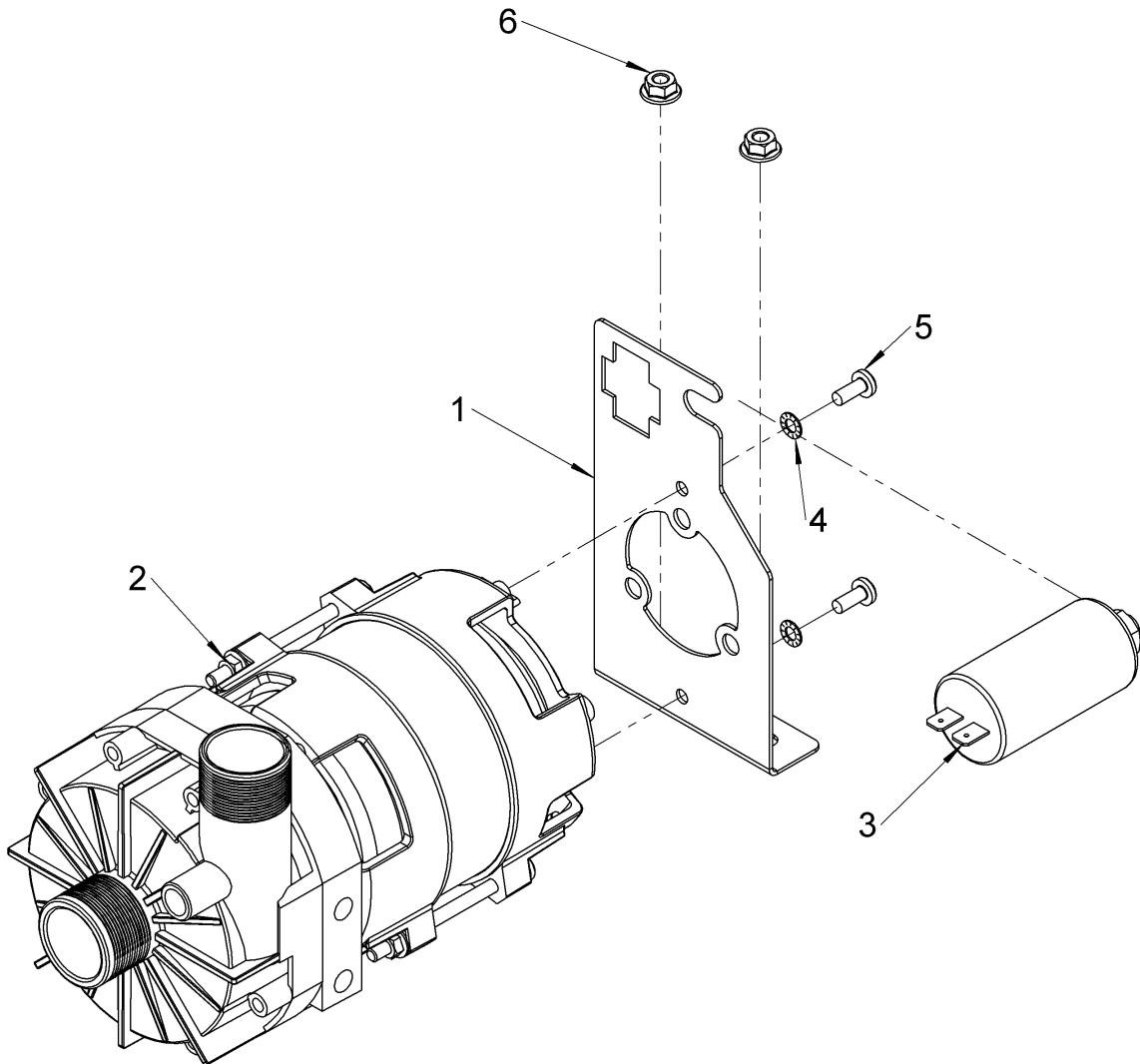


30011812-B

14. Wash pump assembly – BOM

Item	Description	Part number	QTY.	Note
1	0.25kW Wash pump	30011818	1	
2	400mm wash pump bracket	30011676	1	
3	5 μ F Capacitor	30011583	1	Includes washer & nut
4	M6 Serrated washer	30007939	3	
5	M6 x 8 hex head screw (ISO 4017)	30011209	3	
6	M5 Flange nut (DIN 6923)	30001186	2	
7	Wash pump inlet hose	30001125	1	
8	Jubilee clip - 32mm to 50mm	30001114	2	

15. Rinse pump assembly (30011814)

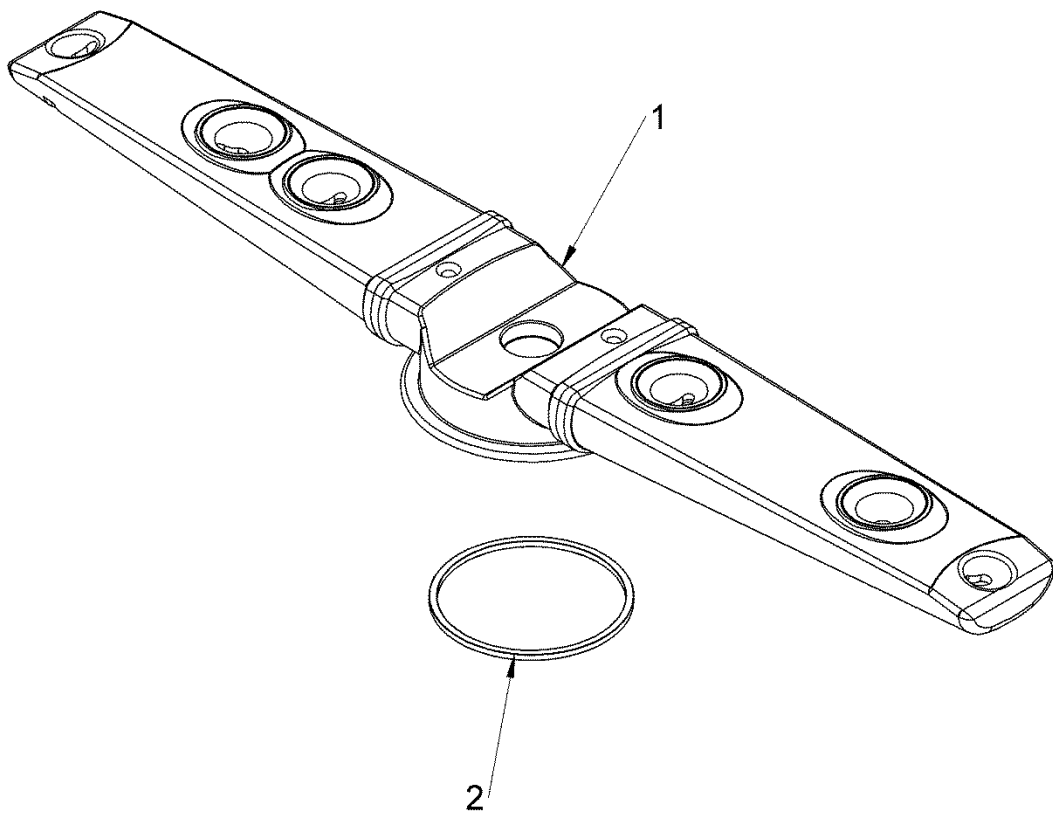


30011814-A

15. Rinse pump assembly – BOM

Item	Description	Part number	QTY.	Note
1	Rinse pump bracket	30011678	1	
2	0.1kW Rinse pump	30011820	1	
3	4 μ F Capacitor	30011584	1	Includes washer & nut
4	M4 Serrated washer	30001128	2	
5	M4 x 10mm Posi pan head screw	30006293	2	
6	M5 Flange nut (DIN 6923)	30001186	2	

16. Wash arm 400mm Kit (62003531)



62003531-A

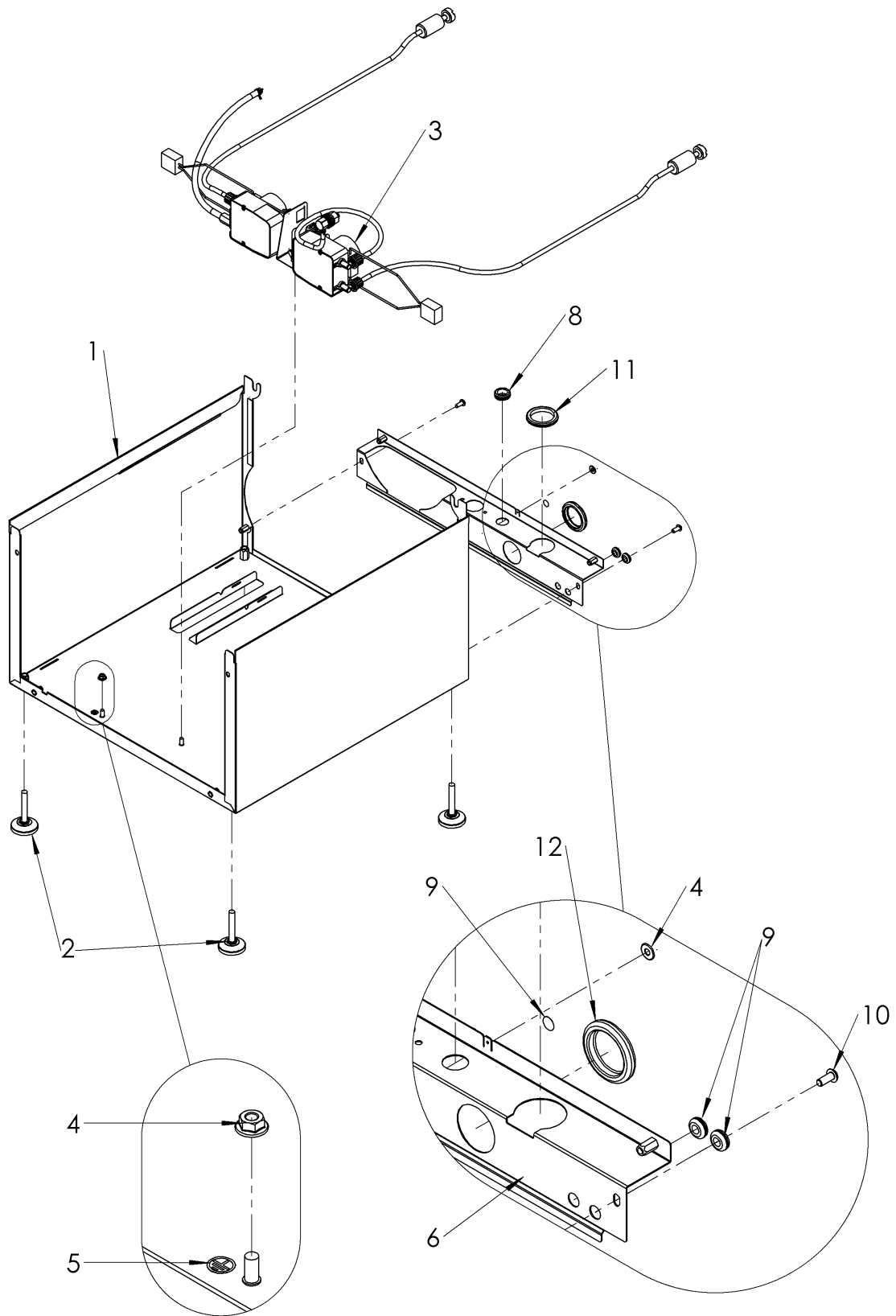
16. Wash arm 400mm Kit – BOM

Item	Description	Part number	QTY.	Note
1	400mm wash arm		1	
2	Seal ring	60003021	1	Only on Dishwasher

17. Drain pump assembly – BOM

Item	Description	Part number	QTY.	Note
1	Drain pump bracket new	30011624	1	
2	Drain pump inlet hose	30011743	1	
3	Wash & Waste outlet manifold kit	30000625	1	
4	Kit drain air break	60003514	1	
5	Drain pump outlet hose - 400mm	30011728	1	
6	Drain height sticker	30012368	1	
7	Secondary filter	30011849	1	
8	Pump - Drain Hose	30013186	1	After serial number XXXXX-1729
9	Drain pump - Head 90° to flow	30011696	1	
10	M5 Flange nut (DIN 6923)	30001186	5	
11	Jubilee Clip - 16mm to 27mm	30001799	1	
12	Jubilee Clip - 12mm to 22mm	30001088	2	
13	Jubilee Clip -25mm to 40mm	30001089	1	

18. Base assembly

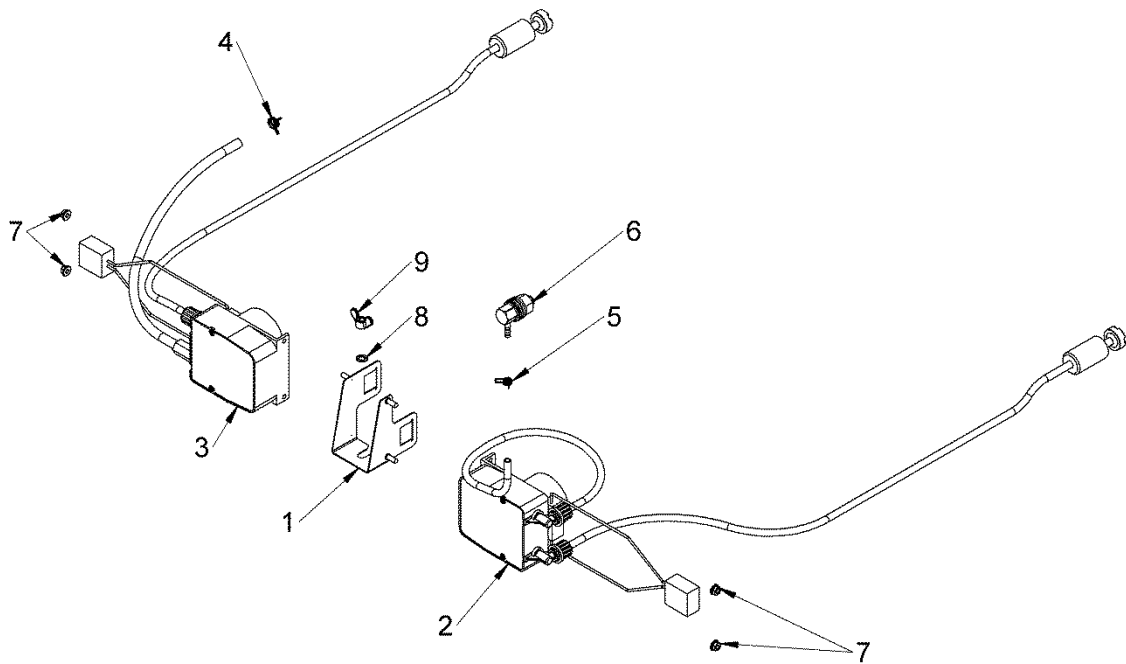


30003315-A

18. Base assembly – BOM

Item	Description	Part number	QTY.	Note
1	400mm Base assembly		1	Not available as a spare
2	Adjuster Foot	30001107	4	
3	Chemical pump assembly		1	
4	M5 Flange nut (DIN 6923)	30001186	3	
5	Earth sticker	30008786	3	
6	400mm rear base assembly	30011658	1	
7	Chemical tube grommet	30002141	2	
8	Mains cable grommet	30011630	1	
9	Equipotential bonding sticker	30011891	1	
10	M5 x 12 Hex socket button head screw	30006300	2	
11	Drain hose grommet	30011631	1	
12	Drain blanking grommet	30012167	1	

19. Chemical pump assembly

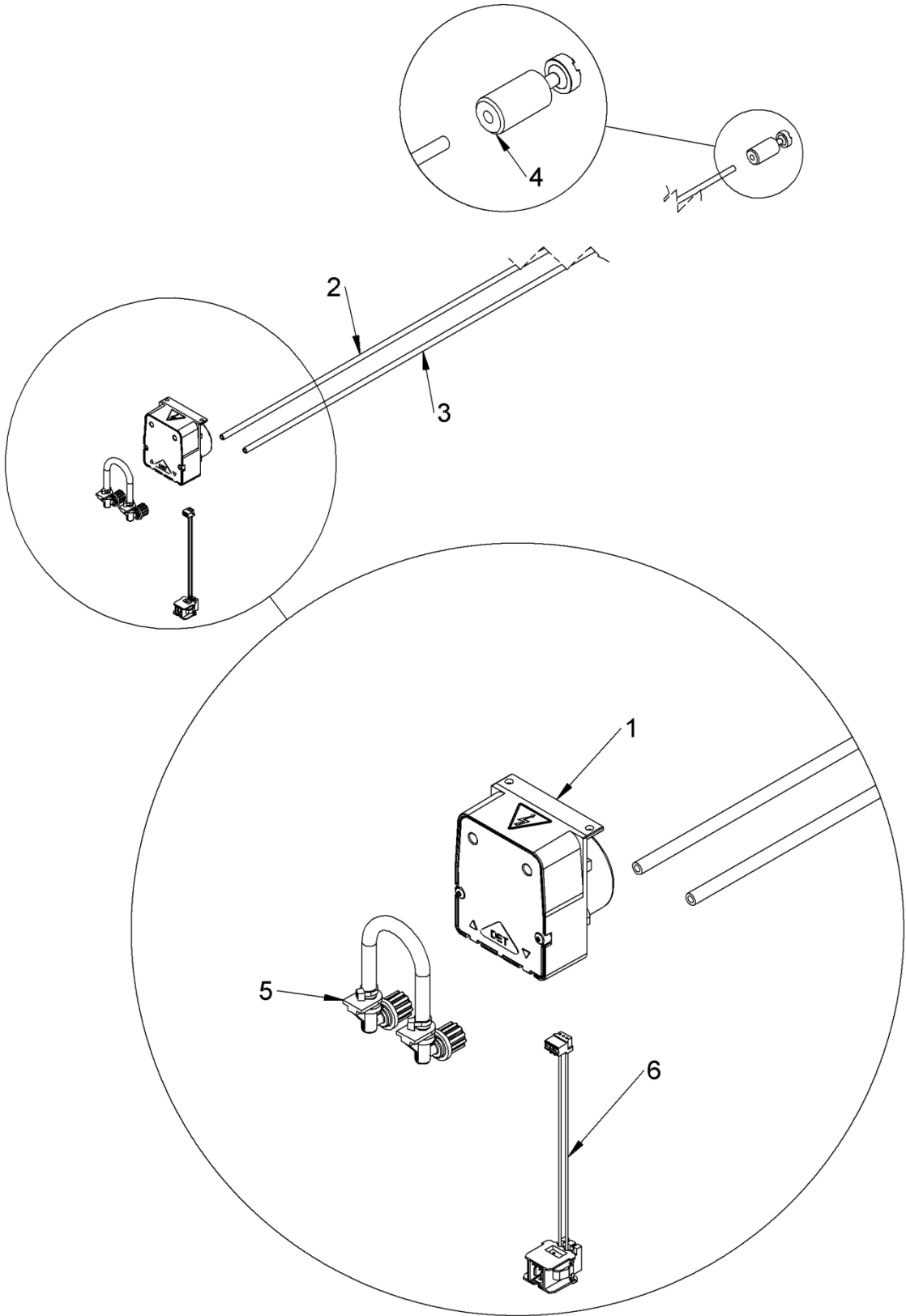


30012343-A

19. Chemical pump assembly – BOM

Item	Description	Part number	QTY.	Note
1	Chemical pump bracket assembly	30011626	1	
2	Detergent Pump Assembly	30011805	1	
3	Rinse aid pump assembly	30011806	1	
4	Spring clip - Ø8.8mm to Ø9.3mm	30011994	1	
5	Spring clip - Ø6.6mm to Ø7mm	30011995	1	
6	Detergent inlet fitting	30011822	1	
7	M4 Flange nut (DIN 6923)	30006237	4	
8	M5 Serrated washer	30001126	1	
9	M5 Wing Nut	30001132	1	

20. Detergent pump assembly (30011805)

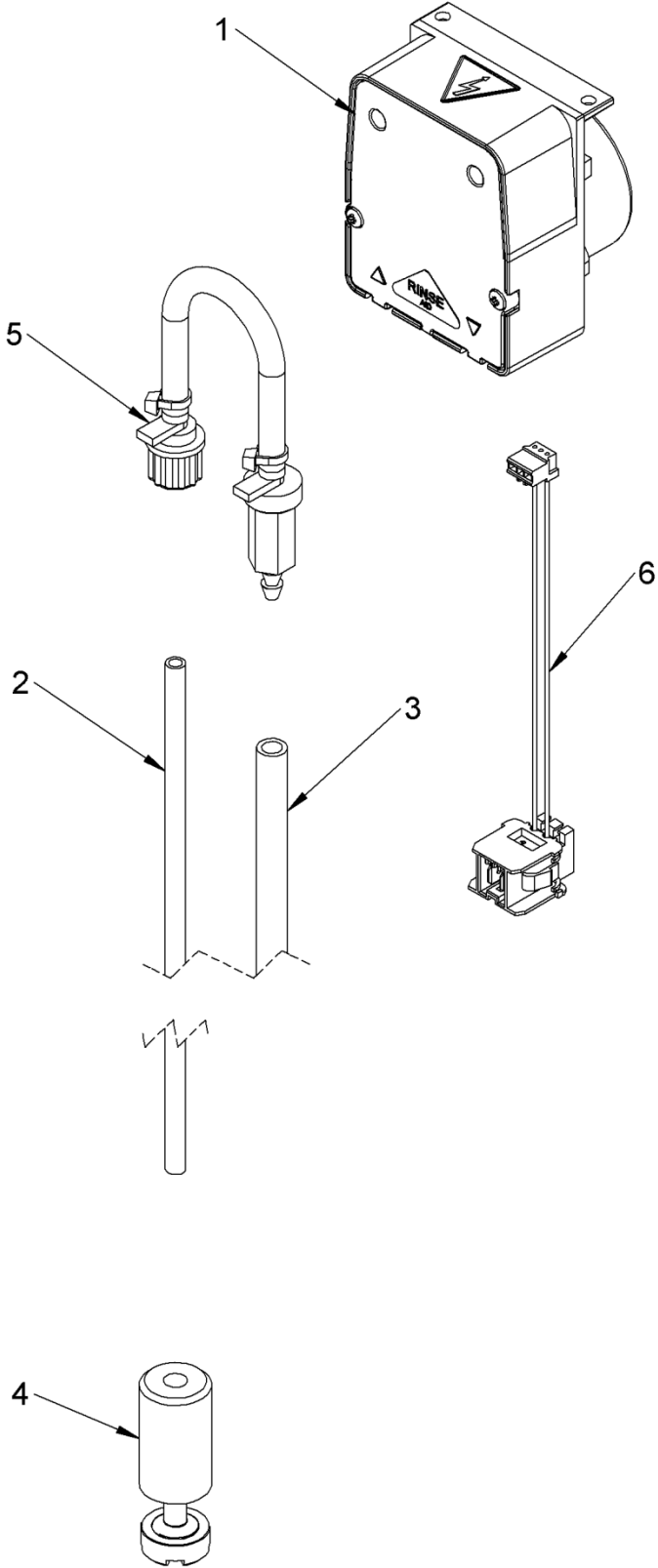


30011805-E

20. Detergent pump assembly – BOM

Item	Description	Part number	QTY.	Note
1	Detergent pump housing		1	Not available as a spare
2	Detergent inlet tube	30012405	1	Clear Tube
3	Detergent outlet tube	30012406	1	
4	Bottle weight kit	30012370	1	
5	Detergent hose	30000996	1	
6	DET Connection Wire		1	Not available as a spare

21. Rinse aid pump assembly (30011806)

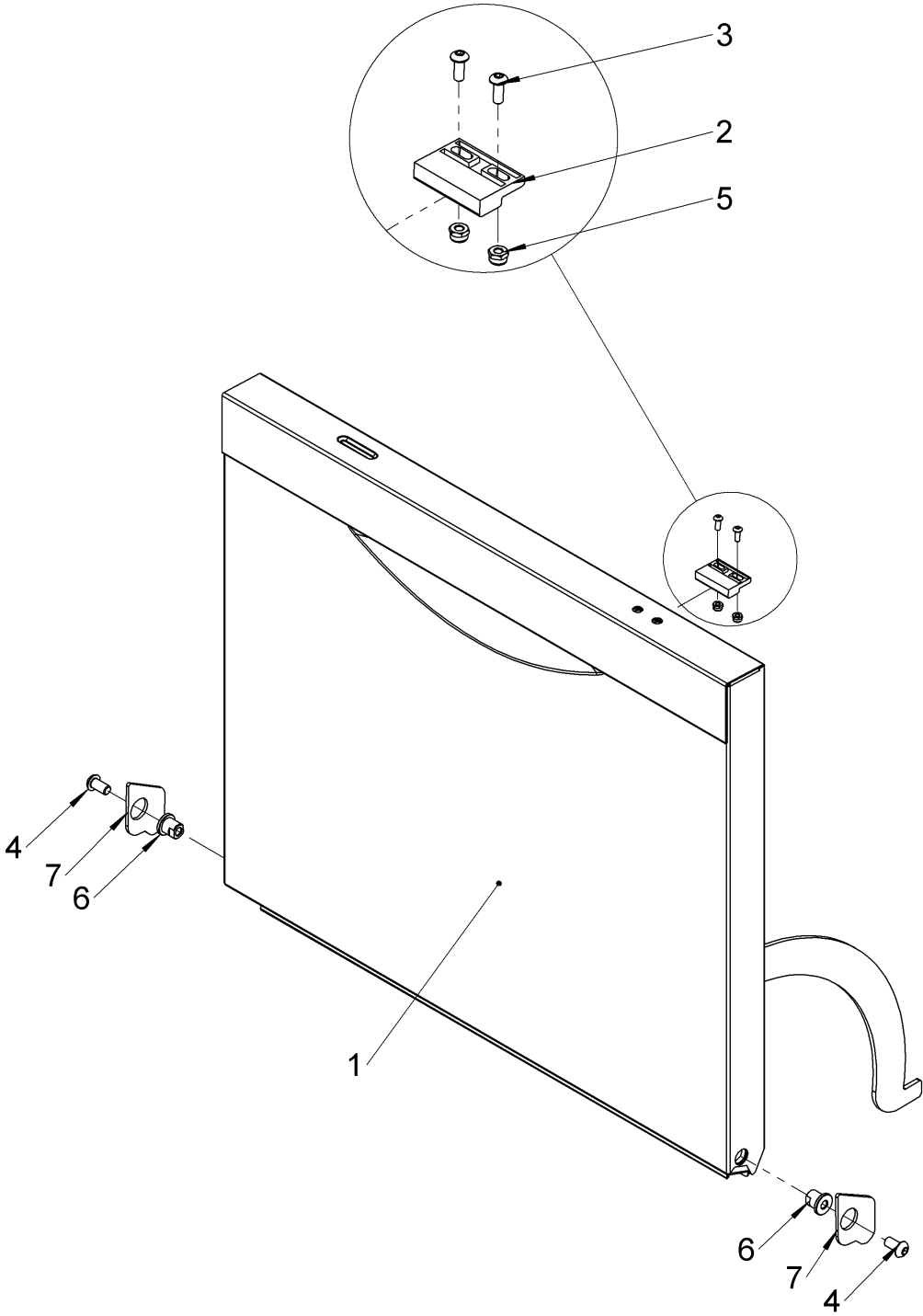


30011806-C

21. Rinse aid pump assembly – BOM

Item	Description	Part number	QTY.	Note
1	Rinse aid pump housing		1	Not available as a spare
2	Rinse aid inlet tube	30012413	1	Blue Tube
3	Rinse aid outlet tube	30012414	1	
4	Bottle weight kit	30012370	1	
5	Rinse aid peristaltic tube assembly	30012415	1	
6	Rinse Aid Connection Wire		1	Not available as a spare

22. Door assembly

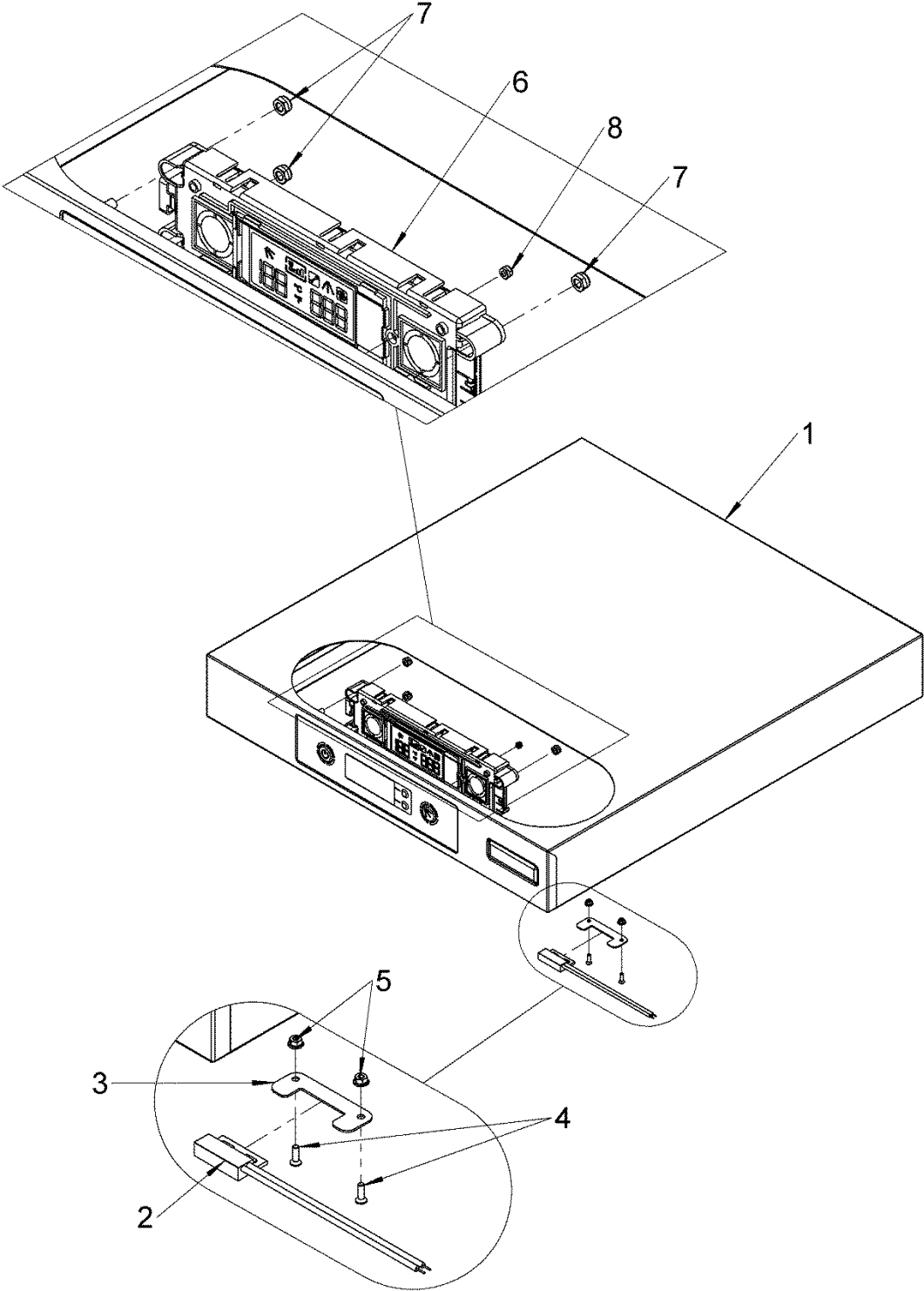


30003317-B

22. Door assembly – BOM

Item	Description	Part number	QTY.	Note
1	Door assembly - 400mm	30011671	1	
2	Door magnet	30000981	1	
3	M3 x 8 Hex socket button head screw	30001059	2	
4	M6 x 12 Hex socket button head screw (Blue Patch)	30006298	2	
5	M3 Thin Nylock nut (ISO 10511)	30001051	2	
6	Door pivot pin	30001050	2	
7	Door corner bracket	30006015	2	

23. Top panel assembly LCD

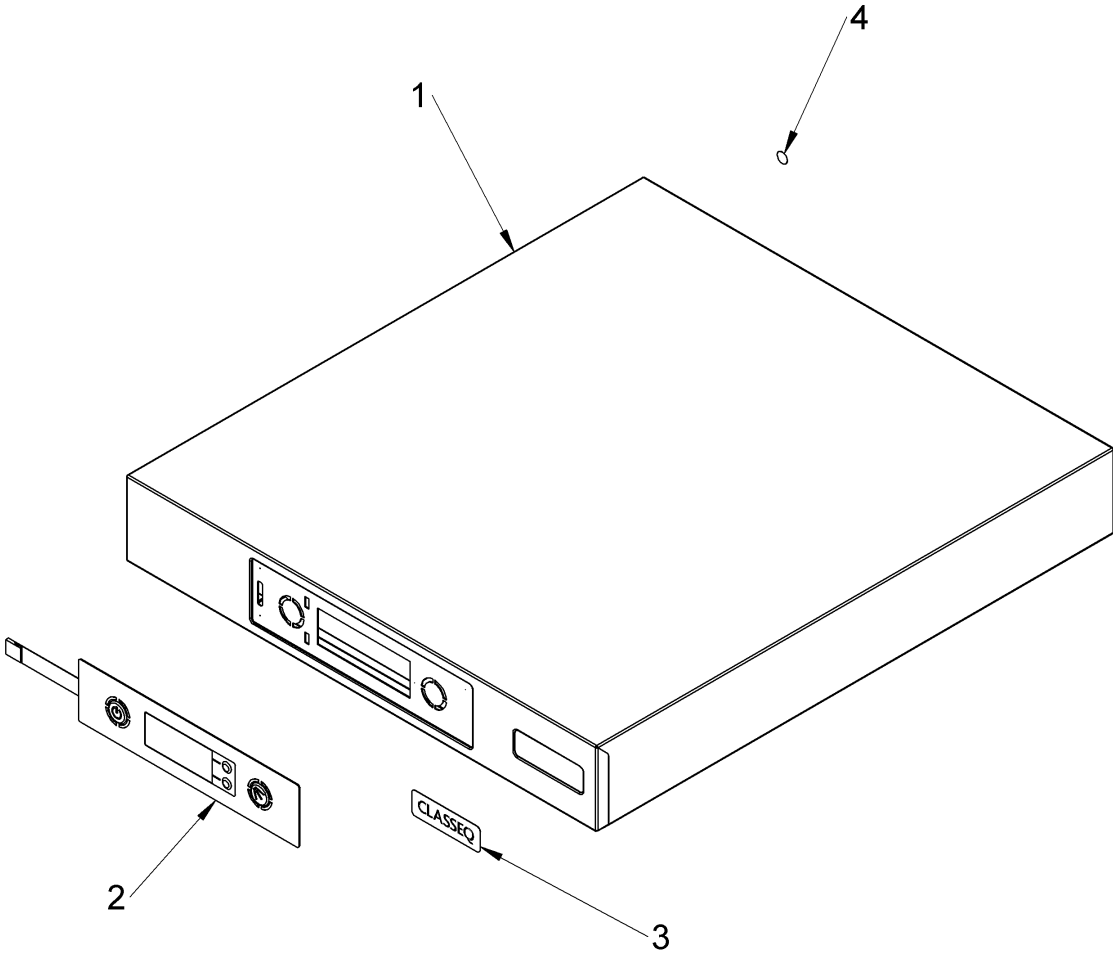


30003316-A

23. Top panel assembly LCD – BOM

Item	Description	Part number	QTY.	Note
1	400mm DS top panel LCD assembly	30006480	1	
2	Crimped proximity switch assembly	30000980	1	
3	Door switch bracket	30011690	1	
4	M3 x 10 CSK hex socket head screw	30011975	2	
5	M3 Flange nut (DIN 6923)	30001171	2	
6	Premium UI assembly	30011403	1	
7	M5 Thin Nylock nut (ISO 10511)	30006274	3	
8	M3 Thin Nylock nut (ISO 10511)	30001051	1	

24. 400mm DS Top Panel LCD assembly (30006480)

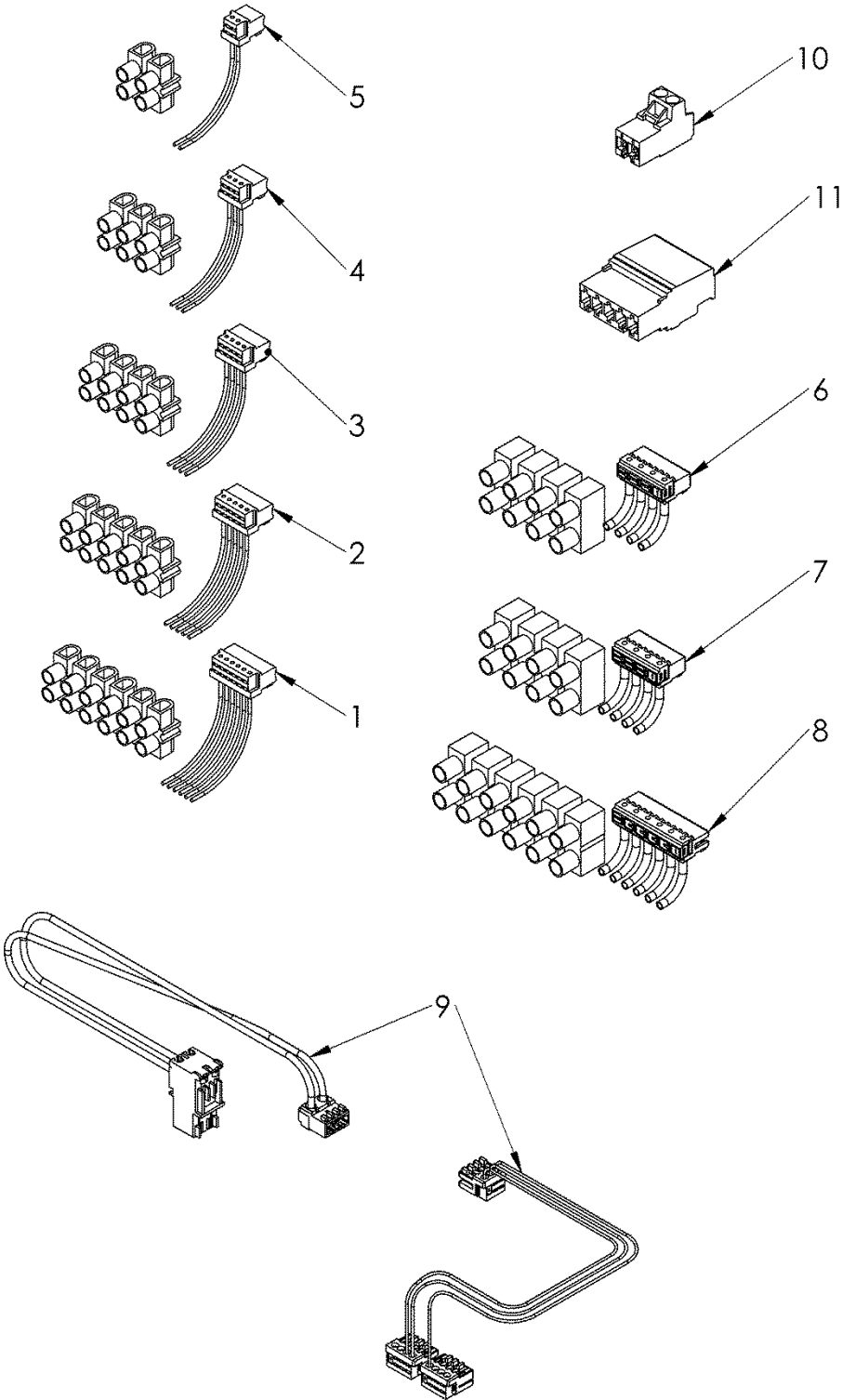


30006480-A

24. 400mm DS Top Panel LCD assembly (30006480) – BOM

Item	Description	Part number	QTY.	Note
1	400mm DS Top panel assembly		1	Not available as a spare
2	LCD Keypad Kit	30012749	1	
3	CLASSEQ badge		1	Not available as a spare
4	Earth sticker	30008786	1	

25. Cable Accessories



30014265-A

25. Cable Accessories – BOM

Item	Description	Part number	QTY.	Note
1	KIT MACRO-MODULE PLUG SIZE 2,5 6-POLE	30002484	1	
2	KIT MACRO-MODULE PLUG SIZE 2,5 5-POLE	30002483	1	
3	KIT MACRO-MODULE PLUG SIZE 2,5 4-POLE	30002482	1	
4	KIT MACRO-MODULE PLUG SIZE 2,5 3-POLE	30000198	1	
5	KIT MACRO-MODULE PLUG SIZE 2,5 2-POLE	30000197	1	
6	Module Plug (Size 5,0 / 4Pole) Type A	30014137	1	
7	Module Plug (Size 5,0 / 4Pole) Type B	30014138	1	
8	Module Plug (Size 5,0 / 6Pole)	30014140	1	
9	ZSE Water Softener Harness Kit	30014124	1	
10	MACRO-MODULE PLUG5, 5- POLE	3112091	1	
11	Marco Module Plug5, 5Pole	30002002	1	
12	6.0kW Element Wire Kit	30013685	1	Not shown
13	2.6kW Element Wire Kit	30013686	1	Not shown

26. Accessories

Item	Description	Part number	QTY.	Note
1	400mm Plastic basket - cup/glass	30001165	1	
2	400mm Plastic rack - Plate combination	30001166	1	
3	Water supply hose	30001162	1	

27. Mains cables

Item	Description	Part number	QTY.	Note
1	13A mains cable kit	30003306	1	
2	3 phase mains cable kit	30003308	1	
3	30A mains cable kit	30012385	1	
4	20A mains cable kit	30003307	1	
5	15A AU Mains cable kit	30012774	1	
6	16A European Mains cable kit	30012775	1	
7	13A No Plug Mains cable kit	30012776	1	
8	15A No Plug Mains cable kit	30012777	1	
9	Mains cable 4G2.5 - No neutral	30008652	1	

Document number: 30012457
Revision: G
Date: 10/04/2019
Language: English



FOODSERVICE EQUIPMENT SPARES LTD

UNIT 4 SANDBROOK PARK, SANDBROOK WAY, ROCHDALE, OL11 1RY

01706 353 633

SALES@FOODSERVICESPARES.COM



WWW.FOODSERVICESPARES.COM