



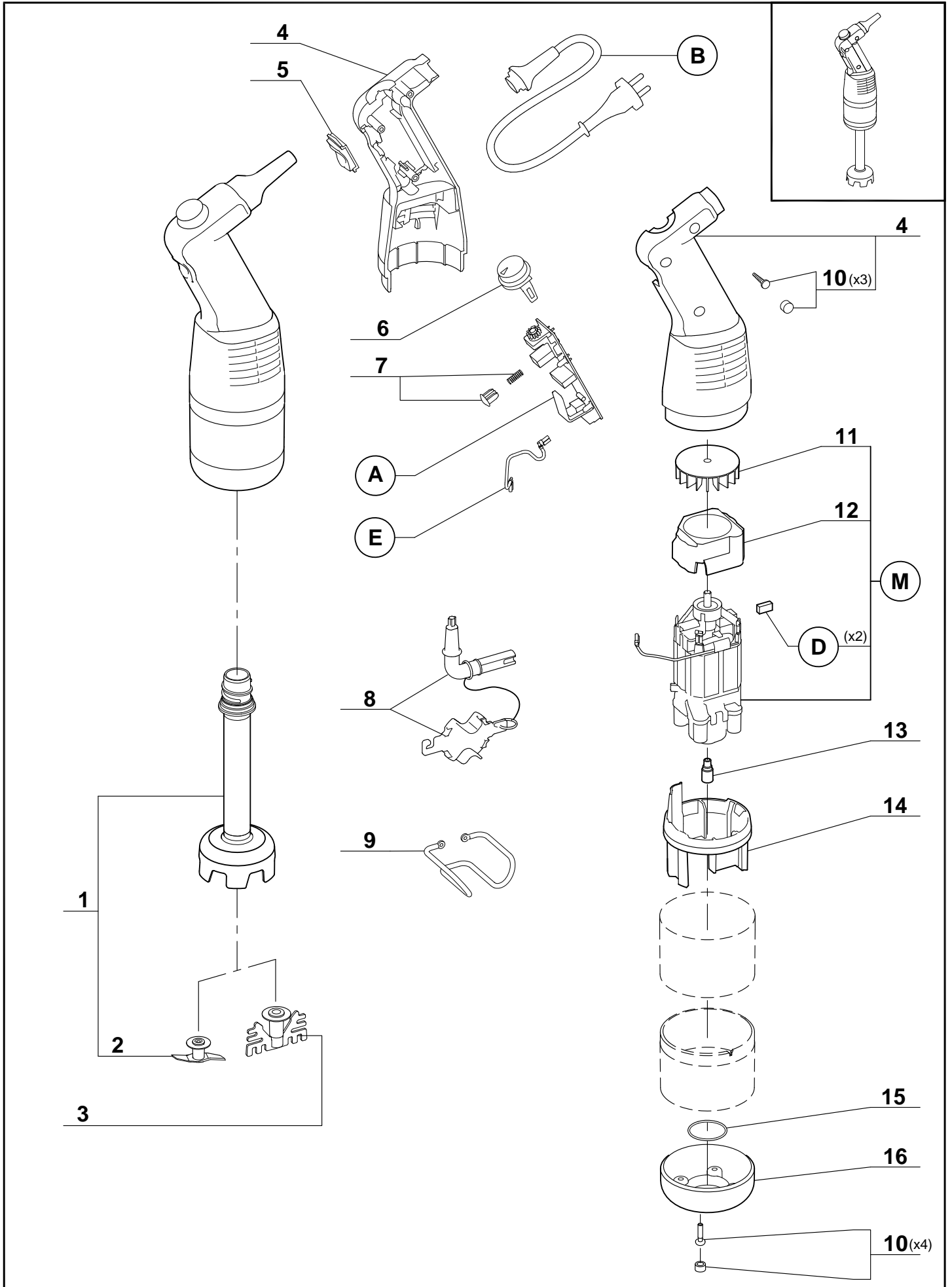
TECHNICAL DIAGRAMS

robot  coupe[®]

MINI MP 160 VV

01706 353 633

WWW.FOODSERVICESPARES.COM



Index PDF	Référence	Designation commerciale	Tarif
A	89168	CIRCUIT BOARD	70.30 ST
B	89165	POWER CORD	23.00 ST
D	89173	BRUSH ASSEMBLY(x2)	15.50 ST
E	89171	ELECTRICAL WIRING	10.50 ST
M	89231	MOTOR	83.30 ST
1	89101	COMPLETE FOOT ASSEMBLY	136.20 ST
2	89102	BLADE	33.60 ST
3	89237	AEROMIX TOOL MMP 160	41.70 ST
4	89551	HANDLES L+R KIT	24.90 ST
5	89056	CAP KNOB	8.30 ST
6	89059	MMP VARIATOR SWITCH	9.60 ST
7	89550	KNOB- SPRING KIT	8.30 ST
8	89058	DISMOUNTING TOOL	18.30 ST
9	89614	WALL BRACKET	20.70 ST
10	89568	SCREW KIT	6.90 ST
11	89067	VENTILATOR	7.30 ST
12	89066	VENTILATOR PIPE	11.10 ST
13	89210	MOTOR COUPLING FRAME	5.50 ST
14	89065	MOTOR RING	11.80 ST
15	89158	MMP MOTOR O RING	7.80 ST
16	89159	DRIVING CAGE	36.50 ST



FOODSERVICE EQUIPMENT SPARES LTD

UNIT 4 SANDBROOK PARK, SANDBROOK WAY, ROCHDALE, OL11 1RY

01706 353 633

SALES@FOODSERVICESPARES.COM



WWW.FOODSERVICESPARES.COM