

TECHNICAL DIAGRAMS

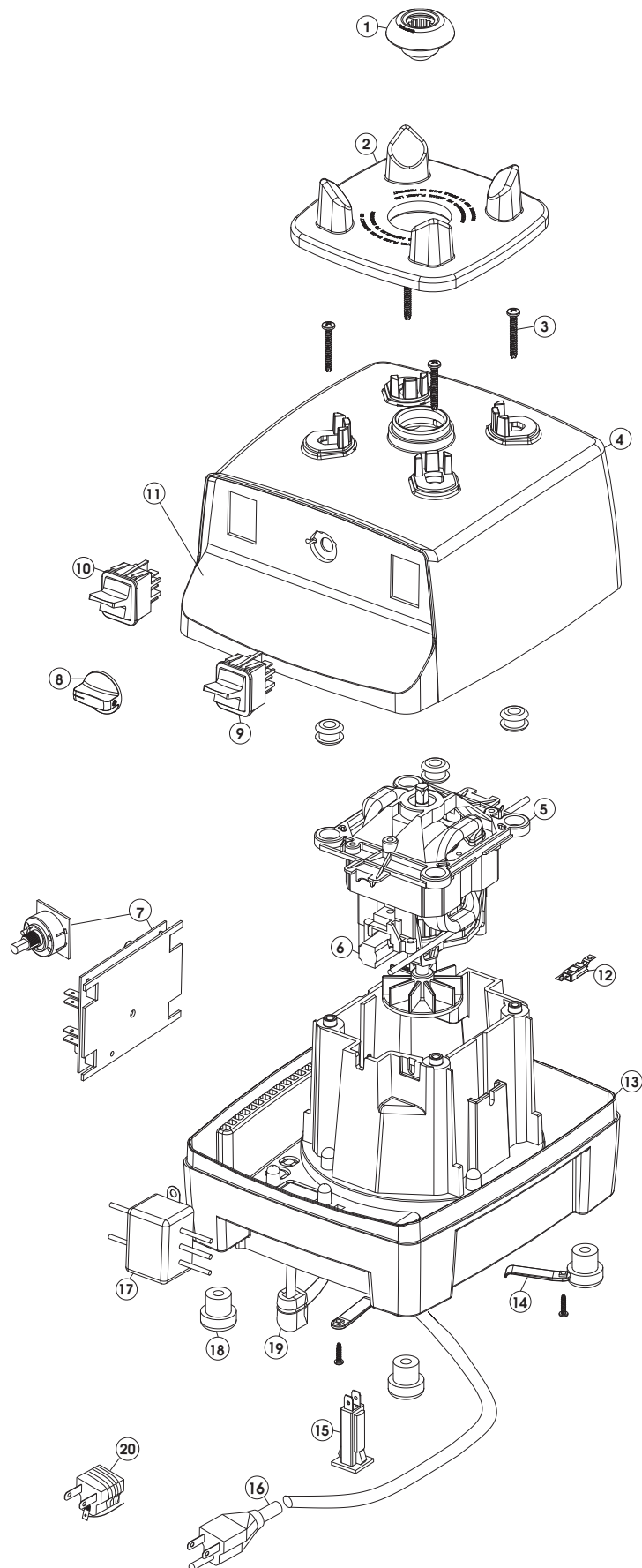


PREP 3, VITA-PREP & VITA-PRO

01706 353 633

WWW.FOODSERVICESPARES.COM

Vita-Prep® 3, Vita-Prep®, & Vita-Pro®



Vita-Prep® 3, Vita-Prep®, & Vita-Pro® Parts List – 100V (Japan), 120V, 120V (Taiwan), 120V EMC (Taiwan), 220/240V

| NO. | NEW PART NO. | OLD PART NO. | DESCRIPTION | VOLTAGE | QTY./PACK |
|-----------|--------------|--------------|---------------------------------------------|------------------|-----------|
| 1 | 891 | 891 | Drive Socket Assembly | All | 1 |
| 1 | 15546 | 15546 | Drive Socket Assembly (Set of 2) | All | 2 |
| 1 | 15547 | 15547 | Drive Socket Assembly (Set of 5) | All | 5 |
| 2 | 791 | 791 | Centering Pad | All | 1 |
| 3 | 15726 | FST102 | Upper Shell Retainer Screws (4) | All | 4 |
| 4 | 15757 | PLS107 | Upper Base Shell - Grey | All | 1 |
| 4 | 15728 | PLS111 | Upper Base Shell - Black | All | 1 |
| 5 | 15711 | ASY216 | Vita-Prep 3 Motor Assembly | 220/240V | 1 |
| 5 | 15710 | ASY209 | Vita-Prep 3 Motor Assembly | 100/120V | 1 |
| 5 | 15674 | ASY154 | Variable Speed Motor Assembly | 220/240V | 1 |
| 5 | 15676 | ASY143 | Variable Speed Motor Assembly* | 220/240V | 1 |
| 5 | 15670 | ASY131 | Variable Speed Motor Assembly | 100/120/120V EMC | 1 |
| 6 | 764 | 764 | Brush Replacement Kit | All | 2 |
| 7 | 15763 | CTL111 | Speed Control Circuit Board & Rotary Switch | 220/240V | 1 |
| 7 | 15762 | CTL103 | Speed Control Circuit Board & Rotary Switch | 100/120/120V EMC | 1 |
| 8 | 15732 | PLS207 | Control Knob | All | 1 |
| 9 | 15758 | CTL104 | On/Off Switch | All | 1 |
| 10 | 15764 | CTL105 | High/Low Switch - Variable | All | 1 |
| 11 | LBL543 | LBL543 | Vita-Prep 3 Label | All | 1 |
| 11 | LBL219 | LBL219 | Vita-Prep Label | All | 1 |
| 11 | LBL119 | LBL119 | Vita-Pro Label | All | 1 |
| 12 | 824 | 824 | Thermal Protector Kit | 100/120/120V EMC | 1 |
| NOT SHOWN | 15515 | 15515 | Thermal Switch Assembly Kit* | 220/240V | 1 |
| 13 | 15760 | ASY101 | Base Frame Assembly | All | 1 |
| 14 | 793 | 793 | Cord Retainer Clip & Screw | All | 4 |
| NOT SHOWN | 15759 | CTL109 | Power Resistor* | 220/240V | 1 |
| NOT SHOWN | 15761 | CTL112 | Circuit Breaker* | 220/240V | 1 |
| 15 | 15735 | CTL151 | Circuit Breaker | 220/240V | 1 |
| 16 | By Country | By Country | Power Cord | 220/240V | 1 |
| 16 | 15756 | WIR100 | Power Cord | 120V | 1 |
| 16 | 15737 | PLG117 | Power Cord | 100V | 1 |
| 16 | 15738 | PLG133 | Power Cord | 120V EMC | 1 |
| 17 | 15739 | CTL509 | EMI Filter | 220/240V | 1 |
| 17 | 15740 | CTL131 | EMI Filter | 100V | 1 |
| 17 | 15741 | CTL515 | EMI Filter | 120V EMC | 1 |
| 18 | 794 | 794 | Rubber Feet (4) | All | 4 |
| 19 | 15742 | FST815 | Power Cord Strain Relief | 220/240V | 1 |
| 19 | 15743 | CON800 | Power Cord Strain Relief | 100/120/120V EMC | 1 |
| 20 | 15745 | CTL125 | Japanese Adapter | 100V | 1 |
| NOT SHOWN | 15748 | n/a | Base Frame Channel (3) | All | 3 |

*Machines before Serial No. 000768A059210356



FOODSERVICE EQUIPMENT SPARES LTD

UNIT 4 SANDBROOK PARK, SANDBROOK WAY, ROCHDALE, OL11 1RY

01706 353 633

SALES@FOODSERVICESPARES.COM



WWW.FOODSERVICESPARES.COM