



TECHNICAL **DIAGRAMS**

turbofan[®]
CONVECTION OVEN SYSTEMS

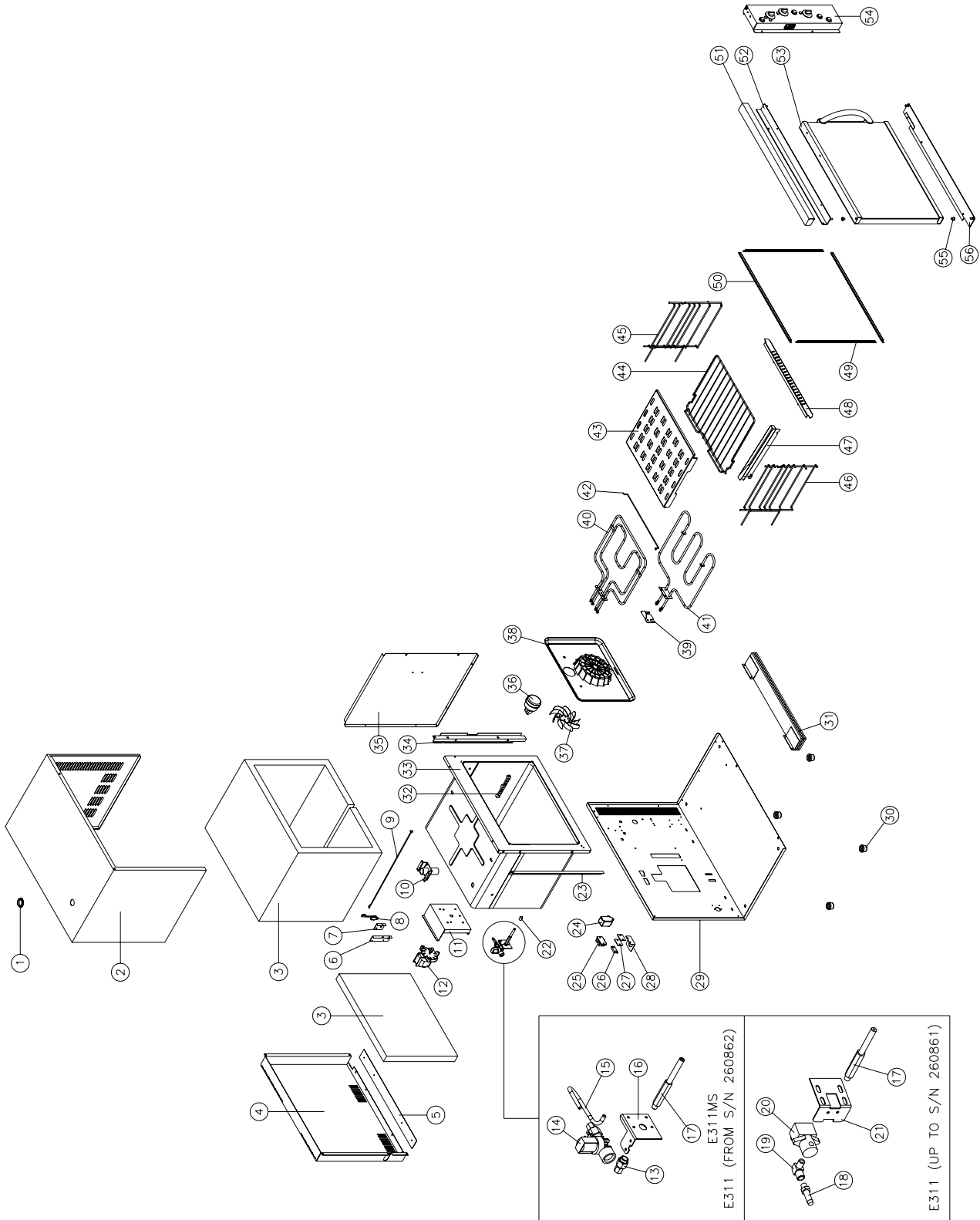
E311

01706 353 633

WWW.FOODSERVICESPARES.COM

11. PARTS DIAGRAMS

11.1 MAIN ASSEMBLY

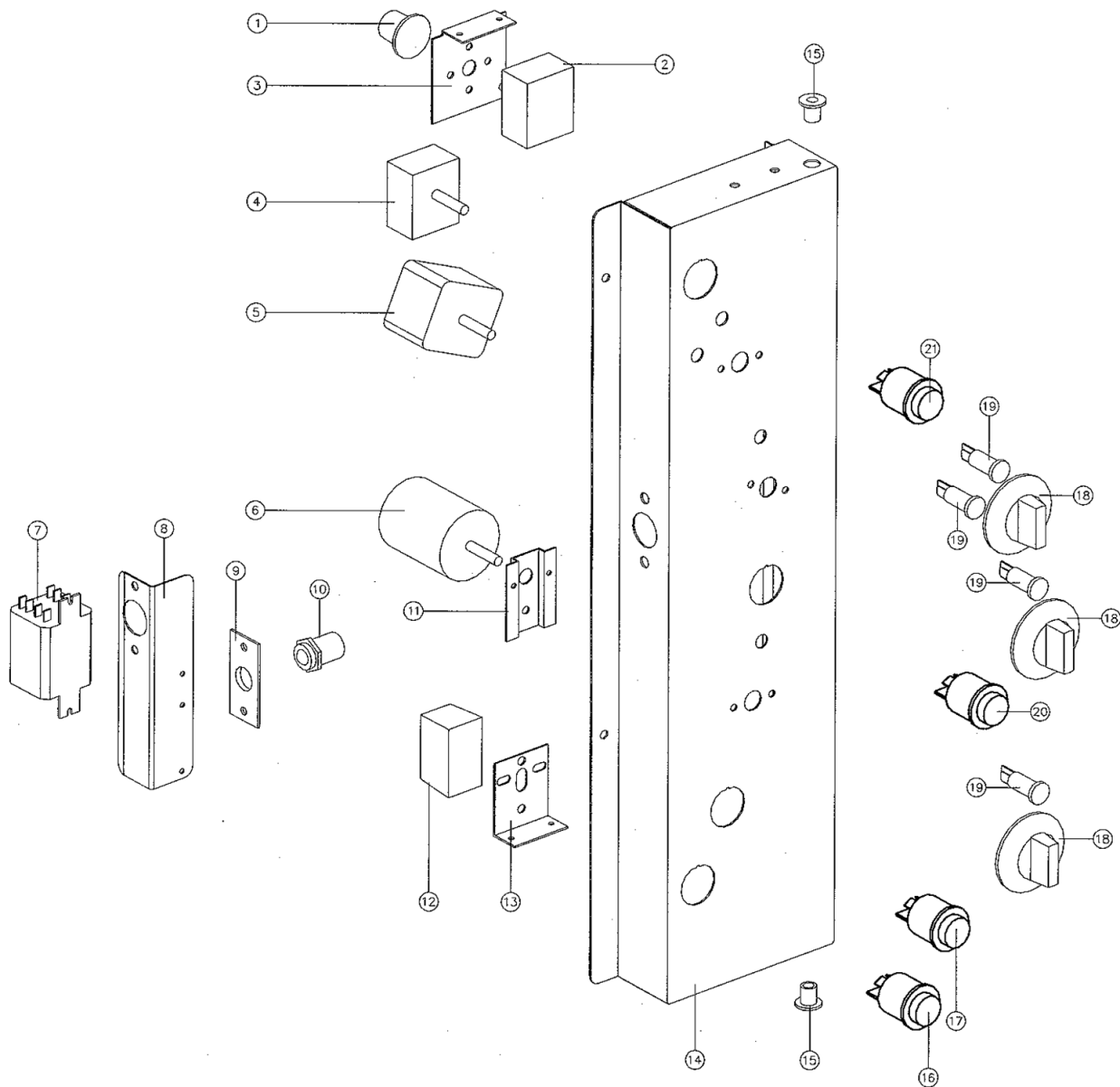


Pos	Part No.	Description
1	010761	GROMMET (E311 from S/N 260862; E311MS)
2	025548	WRAPPER (E311 from S/N 260862; E311MS)
	023242	WRAPPER (E311 up to S/N 260861)
3	090414	INSULATION
4	025549	COVER PANEL (E311 from S/N 260862; E311MS)
	023276	COVER PANEL (E311 up to S/N 260861)
5	023277	COVER PANEL PLATE
6	011412	MICROSWITCH BRACKET
7	011389	MICROSWITCH INSULATOR
8	002990	MICROSWITCH
9	003012	ACTUATOR ROD
	011410	MICROSWITCH BUTTON (NOT ILLUSTRATED)
10	025528	VENT TUBE (E311 from S/N 260862; E311MS)
	023275	VENT TUBE (E311 up to S/N 260861)
11	003016	MOTOR MOUNTING PLATE
12	013431K	MOTOR
13	025092	MOUNTING BUSH (Models with Water Injection) (from S/N 258733)
	011286	OLIVE (Models with Water Injection) (from S/N 258733)
	011287	NUT (Models with Water Injection) (from S/N 258733)
14	020851	WATER SOLENOID (Models with Water Injection) (from S/N 258733)
	020869	CONNECTOR 3/8" F x 1/4" COMP (Models with Water Injection) (from S/N 258733)
15	025546	WATER TUBE (Models with Water Injection) (from S/N 258733)
16	025545	SOLENOID MOUNTING PLATE (Models with Water Injection) (from S/N 258733)
17	012784	SOLENOID EXTENSION (Models with Water Injection)
18	012782	HOSE CONNECTOR (Models with Water Injection) (up to S/N 258732)
19	011634	ELBOW (Models with Water Injection) (up to S/N 258732)
20	012781	SOLENOID VALVE (Models with Water Injection) (up to S/N 258732)
21	019208	SOLENOID MOUNTING BRACKET (Models with Water Injection) (up to S/N 258732)
22	012785	INJECTOR (Models with Water Injection) (up to S/N 258732)
23	011404	L.H OVEN SUPPORT
24	024562	POWER RELAY (from SERIAL NUMBER 232054)
	024563	POWER RELAY UPGRADE KIT (to SERIAL NUMBER 232053)
25	013586	TERMINAL BLOCK
26	002138	CABLE CLAMP
27	002441	INSULATOR
28	018251	CABLE ENTRY CLAMP BRACKET
29	023241	BODY
30	013048	LEG - 4" (100 mm)
	013908	FOOT ASSEMBLY - 1" (25 mm)
31	004594	COUNTERWEIGHT (UK ONLY)
32	017770	PHIAL GUARD
33	004870	OVEN INNER
34	011413	R.H OVEN SUPPORT
35	011407	SIDE INSULATION PANEL
36	013520	OVEN LIGHT ASSEMBLY
	003434	SILK GASKET
	013521	LAMP 40W (E311)
	014218	LAMP 25W (E311MS)
	003002	LIGHT GLASS
37	013432	FAN
38	004595	FAN BAFFLE
39	003123	BAFFLE BRACKET
40	003113	TOP ELEMENT 208 - 220V
	011604	TOP ELEMENT 230 - 240V
41	003074	BOTTOM ELEMENT 230 - 240V
	003114	BOTTOM ELEMENT 208 - 220V
42	003219	ELEMENT SUPPORT
43	004993	ELEMENT COVER (E311 from S/N 260862; E311MS)

44	023254	OVEN RACK
45	023256	OVEN SIDE RACK - RH
	023068	SIDE RACK SCREW (NOT ILLUSTRATED)
46	023255	OVEN SIDE RACK - LH
	023068	SIDE RACK SCREW (NOT ILLUSTRATED)
47	012787	WATER TROUGH (Models with Water Injection)
48	004874	BOTTOM ELEMENT GUARD
49	014225	OVEN SEAL ASSEMBLY - VERTICAL
	003028	VERTICAL SEAL - 455mm
50	023257	OVEN SEAL ASSEMBLY - HORIZONTAL
	023278	HORIZONTAL SEAL - 584mm
51	004877	PIVOT COVER - BLACK (E311 ONLY)
	004994	PIVOT COVER - ST/ST (E311MS ONLY)
52	023243	PIVOT SUPPORT - TOP ASSEMBLY
53	-----	DOOR ASSEMBLY (REFER SECTION 11.3 & 11.4)
54	-----	CONTROL ASSEMBLY (SEE SECTION 11.2)
55	025502	DOOR BUSH (E311 FROM S/N 260862; E311MS)
		(ALSO USED ON CONTROL PANEL PIVOT)
	013610	DOOR BUSH (E311 UP TO S/N 260861)
		(ALSO USED ON CONTROL PANEL PIVOT)
56	023245	PIVOT SUPPORT - BOTTOM ASSEMBLY

11.2 CONTROL PANEL ASSEMBLY

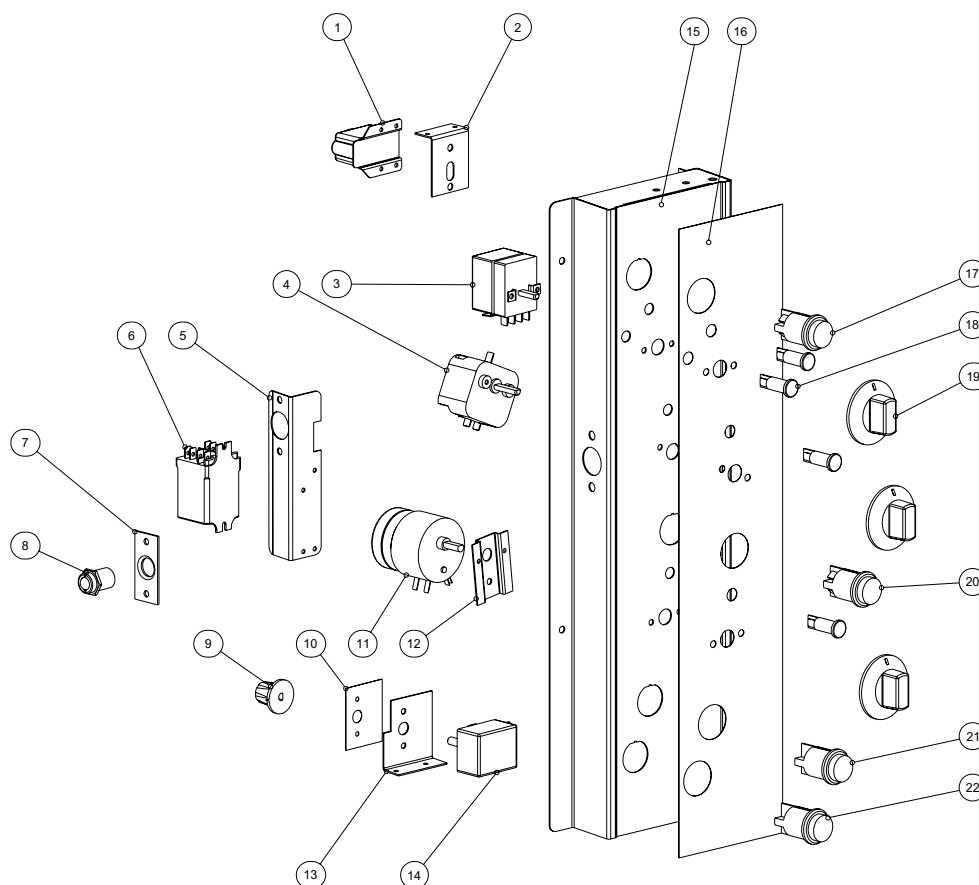
11.2.1 E311 CONTROL PANEL



Pos	Part No.	Description
1	018224	HOLD THERMOSTAT KNOB
2	018223	HOLD THERMOSTAT
3	021538	HOLD THERMOSTAT BRACKET (AFFIX 018209 LABEL)
4	017121	THERMOSTAT 50-300 °C
5	011760	TIMER - 1 Hr
6	011419	TIMER - 3 Hr (240V 50 Hz)
	011983	TIMER - 3 Hr (240V 60 Hz)
7	024562	HOLD RELAY (FROM SERIAL NUMBER 232054)
	022281	HOLD MINI-CONTACTOR (TO SERIAL NUMBER 232053)
8	021536	RELAY / CONTACTOR BRACKET
9	018789	BALL CATCH PLATE
10	011005	BALL CATCH & LOCKNUT
11	021442	TIMER MOUNTING PANEL
12	011794	BUZZER

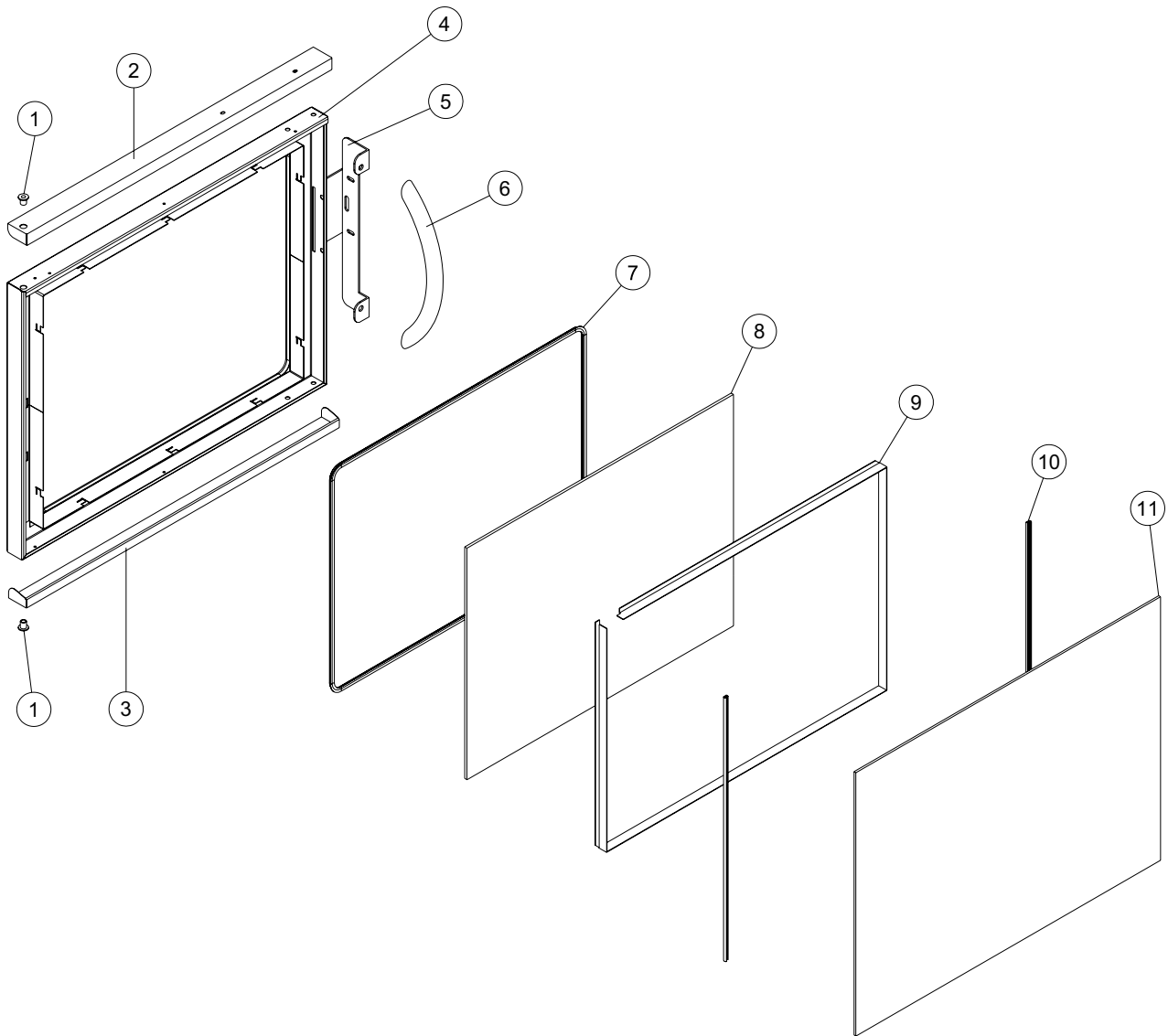
13	021537	BUZZER MOUNTING BRACKET
14	004873	CONTROL PANEL BAKBAR °C
	004872	CONTROL PANEL BLUE SEAL °C
	004729	CONTROL PANEL MOFFAT °F
15	013610	DOOR BUSH
16	024773	LIGHT SWITCH - LATCHING (Models with Water Injection) (from S/N 258733)
	021474	LIGHT SWITCH - MOMENTARY (Models with Water Injection) (up to S/N 258732)
17	024773	LIGHT SWITCH - LATCHING (Models without Water Injection) (from S/N 260862)
	021474	LIGHT SWITCH - MOMENTARY (Models without Water Injection) (up to S/N 260861)
	021474	STEAM SWITCH (Models with Water Injection)
18	020823	THERMOSTAT / TIMER KNOBS
19	020849	INDICATOR LIGHT
20	021476	ROAST 'N' HOLD SWITCH
21	021473	POWER SWITCH

11.2.2 E311MS CONTROL PANEL



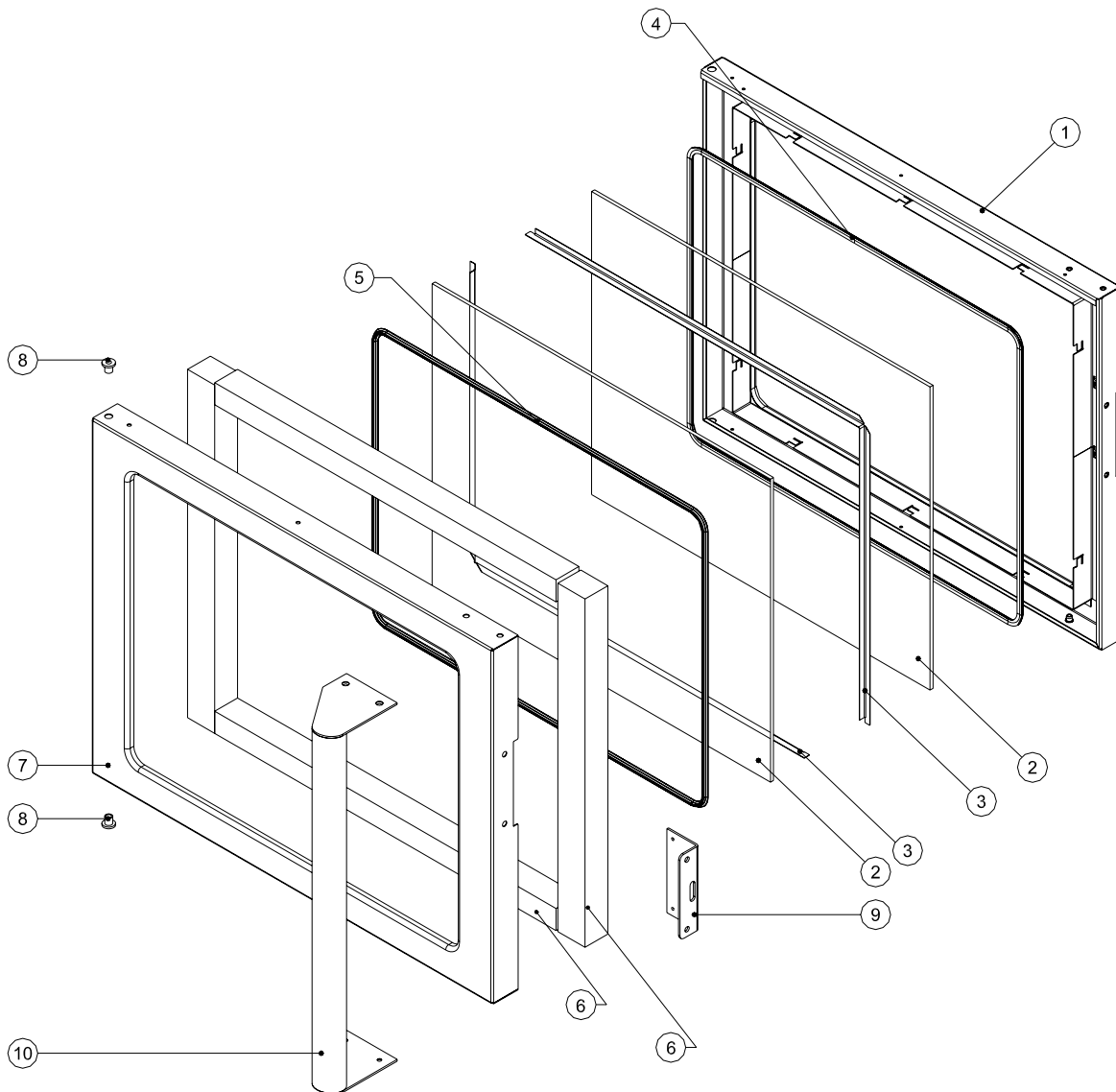
Pos	Part No.	Description
1	011794	BUZZER
2	021537	BUZZER MOUNTING BRACKET
3	017121	THERMOSTAT
4	011760	60 MINUTE TIMER
5	021536	RELAY MOUNTING BRACKET
6	024562	HOLD RELAY
7	018789	BALL CATCH PLATE
8	011005	BALL CATCH
9	018224	HOLD THERMOSTAT KNOB
10	018209	HOLD THERMOSTAT LABEL
11	011419	THREE HOUR TIMER - 50Hz
	011983	THREE HOUR TIMER - 60Hz
12	021442	TIMER MOUNTING PANEL
13	021538	HOLD THERMOSTAT BRACKET
14	018223	HOLD THERMOSTAT
15	025544	CONTROL PANEL WA (BAKBAR / BLUE SEAL)
	025503	CONTROL PANEL WA (MOFFAT)
16	025531	CONTROL PANEL OVERLAY (BAKBAR - °C)
	025532	CONTROL PANEL OVERLAY (BLUE SEAL °C)
	025530	CONTROL PANEL OVERLAY (MOFFAT - °F)
17	021473	POWER SWITCH
18	020849	INDICATOR LIGHT
19	020823	KNOB
20	021476	'ROAST N HOLD' SWITCH
21	024773	LIGHT SWITCH (Models without Water Injection)
	021474	STEAM SWITCH (Models with Water Injection)
22	024473	LIGHT SWITCH (Models with Water Injection)

11.3 GLASS DOOR ASSEMBLY (E311)



Pos	Part No.	Description
1	025502	DOOR BUSH (from S/N 260862) (ALSO USED ON CONTROL PANEL PIVOT)
	013610	DOOR BUSH (up to S/N 260861) (ALSO USED ON CONTROL PANEL PIVOT)
2	023615	TOP TRIM
3	023616	BOTTOM TRIM
4	004992	DOOR INNER (from S/N 260862)
	004875	DOOR INNER (up to S/N 260861)
5	021465	HANDLE BRACKET (HANDLE ASSEMBLY 021469)
6	021468	HANDLE (HANDLE ASSEMBLY 021469)
7	090201	SILICON EXTRUSION - 1.90M
8	023263	DOOR INNER GLASS
9	004876	DOOR GLASS CLAMP ANGLE
10	090225	SILICON EXTRUSION - 0.96M
11	023264	DOOR OUTER GLASS

11.4 ST/ST DOOR ASSEMBLY (E311MS only)



Pos	Part No.	Description
1	004992	DOOR INNER
2	023263	DOOR GLASS
3	025498	GLASS CLAMP ANGLE
4	090201	INNER GLASS SEAL EXTRUSION
5	090201	OUTER GLASS SEAL EXTRUSION
6	090415	INSULATION 38mm
7	025504	DOOR OUTER PANEL WA
8	025502	PIVOT BUSH
9	025501	DOOR CATCH PLATE
10	025499	DOOR HANDLE



FOODSERVICE EQUIPMENT SPARES LTD

UNIT 4 SANDBROOK PARK, SANDBROOK WAY, ROCHDALE, OL11 1RY

01706 353 633

SALES@FOODSERVICESPARES.COM



WWW.FOODSERVICESPARES.COM