



TECHNICAL **DIAGRAMS**

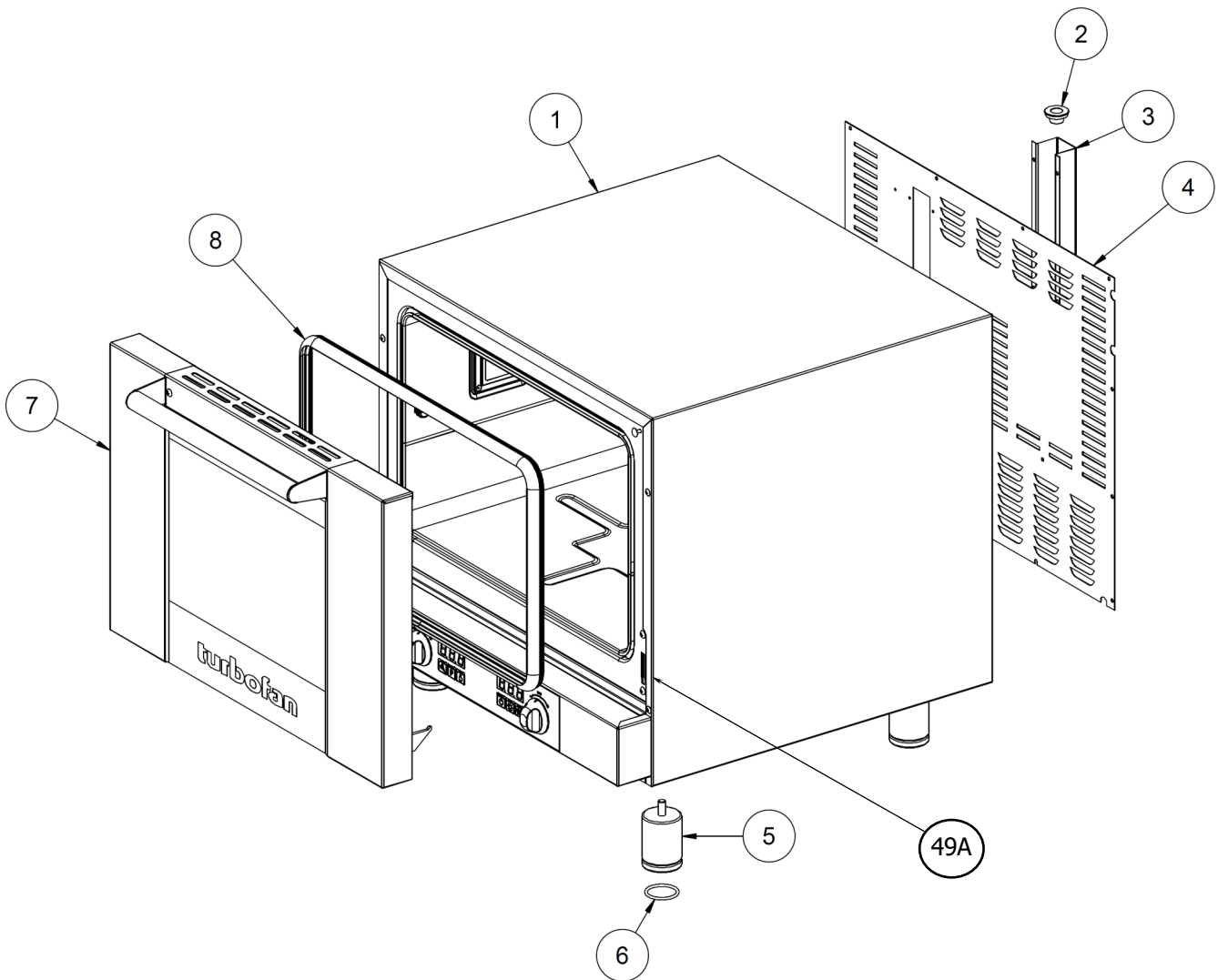
turbofan[®]
CONVECTION OVEN SYSTEMS

**E20D SERIES
(E23D3 E27D2 E27D3 E28D4)**

01706 353 633

WWW.FOODSERVICESPARES.COM

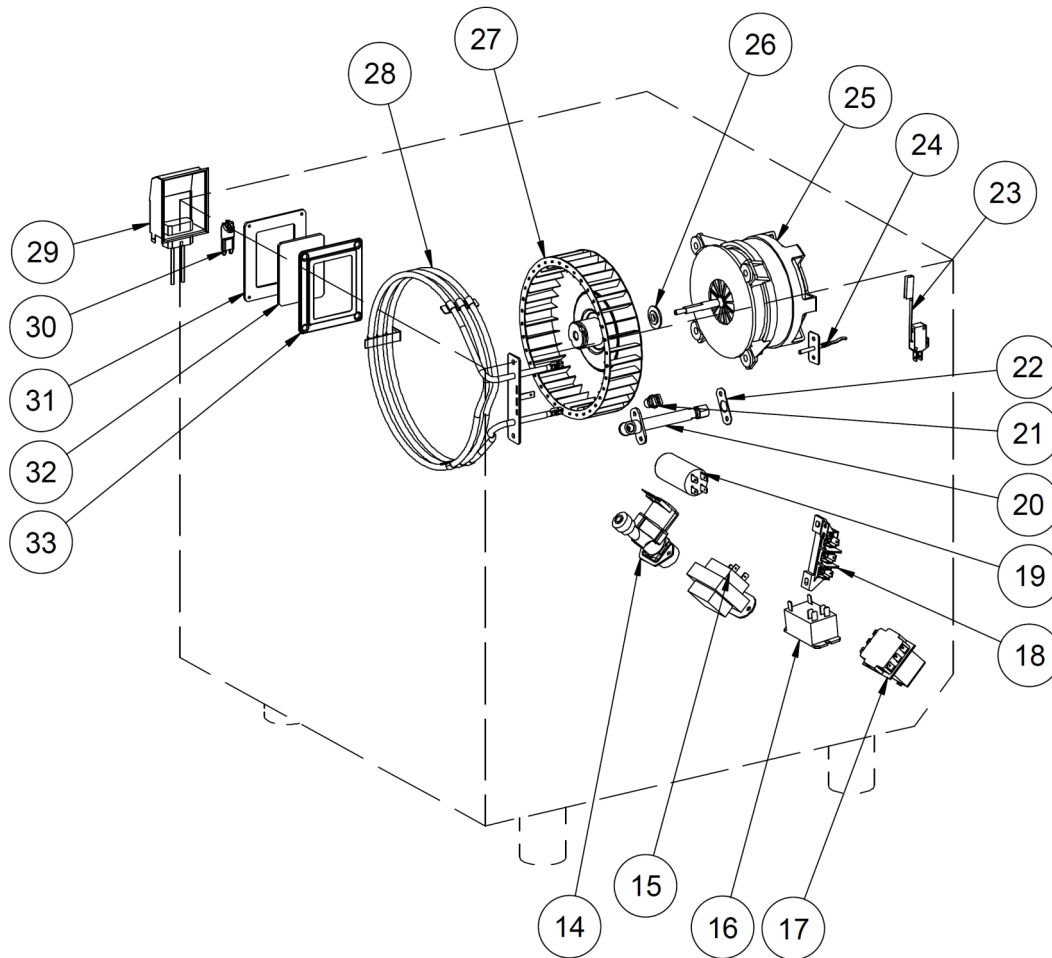
Outer Assembly - E23D3, E27D2 / E27D3, E28D4



ITEM	PART No.	DESCRIPTION	*RPL
1	232834	WRAPPER E23	D
	232823	WRAPPER E27	D
	233057	WRAPPER E28	D
2	234738	VENT INSERT	D
3	232680	OVEN VENT REAR COVER	D
4	238860	REAR PANEL E23	D
	238861	REAR PANEL E27	D
	238862	REAR PANEL E28	D
5	232379	ADJUSTABLE LEG 3" / 76mm	D
6	232380	FOOT O-RING	C
7	233910	DOOR ASSY E23	C
	232894	DOOR ASSY E27	C
	232895	DOOR ASSY E28	C
8	232667	DOOR SEAL E23	B
	232666	DOOR SEAL E27	B
	234466	DOOR SEAL E28	B
49A	233296	HINGE COUNTER BRACKET (Not Illustrated)	

*Recommended Parts Level	
RPL	Number of units in service
A	1-5
B	5-10
C	10-50
D	50+

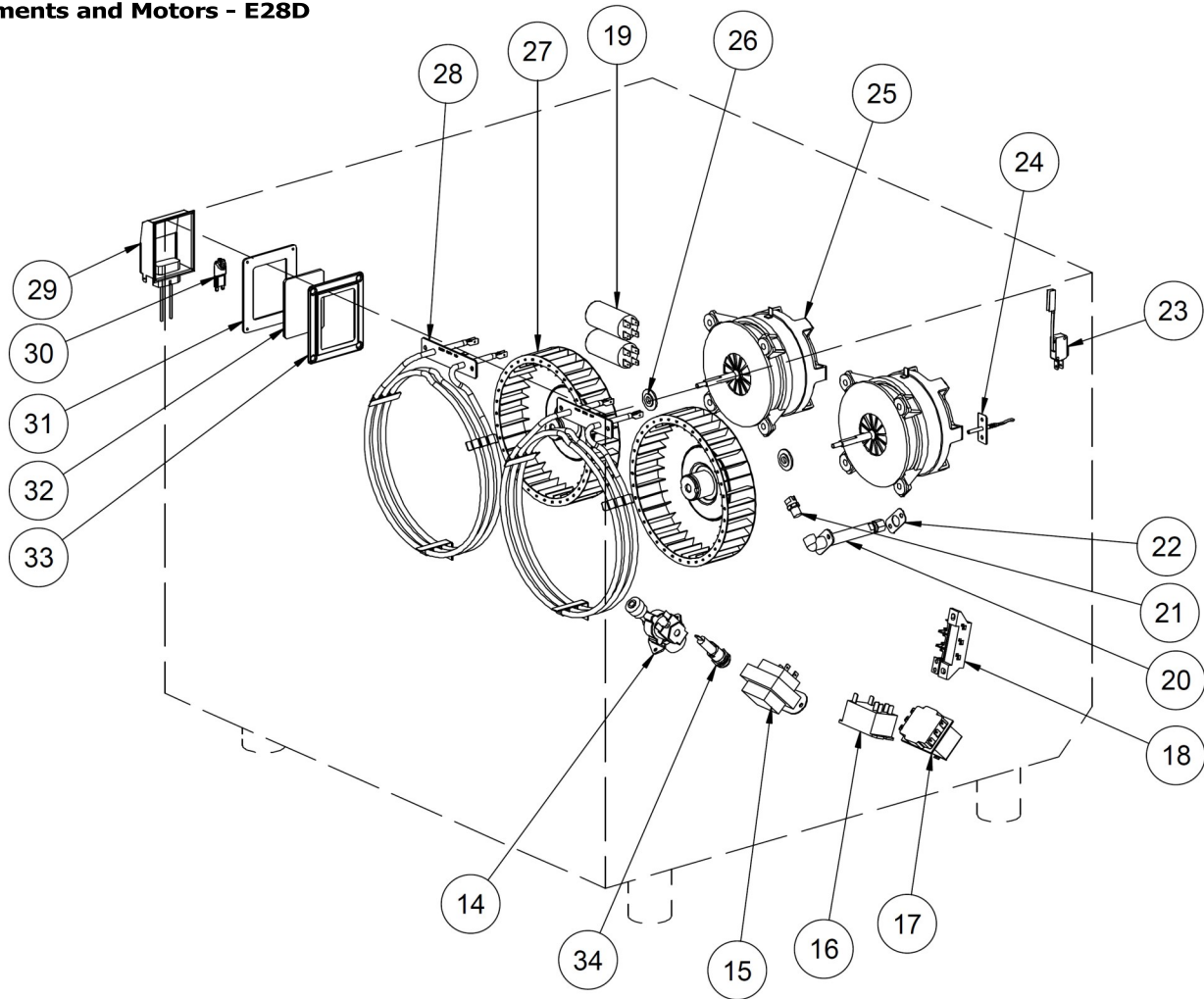
Element and Motor - E23D / E27D



ITEM	PART No.	DESCRIPTION	*RPL
14	238981	WATER SOLENOID 180° JG1/4" 240V RPE	A
	025922	ADAPTOR 3/4" BSP/GHT, BRASS (USA / CA / MX ONLY).	
	021527	WASHER RUBBER 23 X 14.5 X 1.5MM (USA / CA / MX ONLY).	
15	234429	TRANSFORMER 208/240V x 12VAC SEC 20VA	B
16	238881	RELAY DPST HF92F 30A 240VAC	B
17	234821	OVERTEMP THERMOSTAT 355°C-20K 55.33579.030	A
18	026160	TERMINAL BLOCK	D
19	234251	CAPACITOR 5µF, 208-240V	B
	237336	CAPACITOR 6µF, 200V	B
20	238983	WATER ELBOW ASSEMBLY	D
21	021057	SPRAY NOZZLE	C
22	238986	GASKET - WATER ELBOW	A
23	233862	MICROSWITCH	A
24	237447K	TEMP PROBE KIT DIGITAL	B
25	235585	FAN MOTOR KIT	B
26	238989	MOTOR SHAFT SEAL	B
27	234137	FAN	B
	235420	FAN PULLER / TIGHTENER (not shown)	C
28	234088	OVEN ELEMENT 2800W 240V - E23D3 / E27D2	B
	234089	OVEN ELEMENT 2800W 220V - E23D3 / E27D2	B
	234108	OVEN ELEMENT 4500W 240V - E27D3	B
	234107	OVEN ELEMENT 4500W 220V - E27D3	B
	236264	ELEMENT GASKET (Not shown)	B
29	232108	LAMPHOLDER G9 HALOGEN	B
30	231814	LAMP BULB G9/25W, HALOGEN	A
31	021352	GLASS LENS	A
32	021354	GASKET	A
33	021353	SUPPORT FRAME	A
34	234802	FUSE HOLDER - E27D3 ONLY	D
	234803	FUSE 10 AMP - E27D3 ONLY	A

*Recommended Parts Level	
RPL	Number of units in service
A	1-5
B	5-10
C	10-50
D	50+

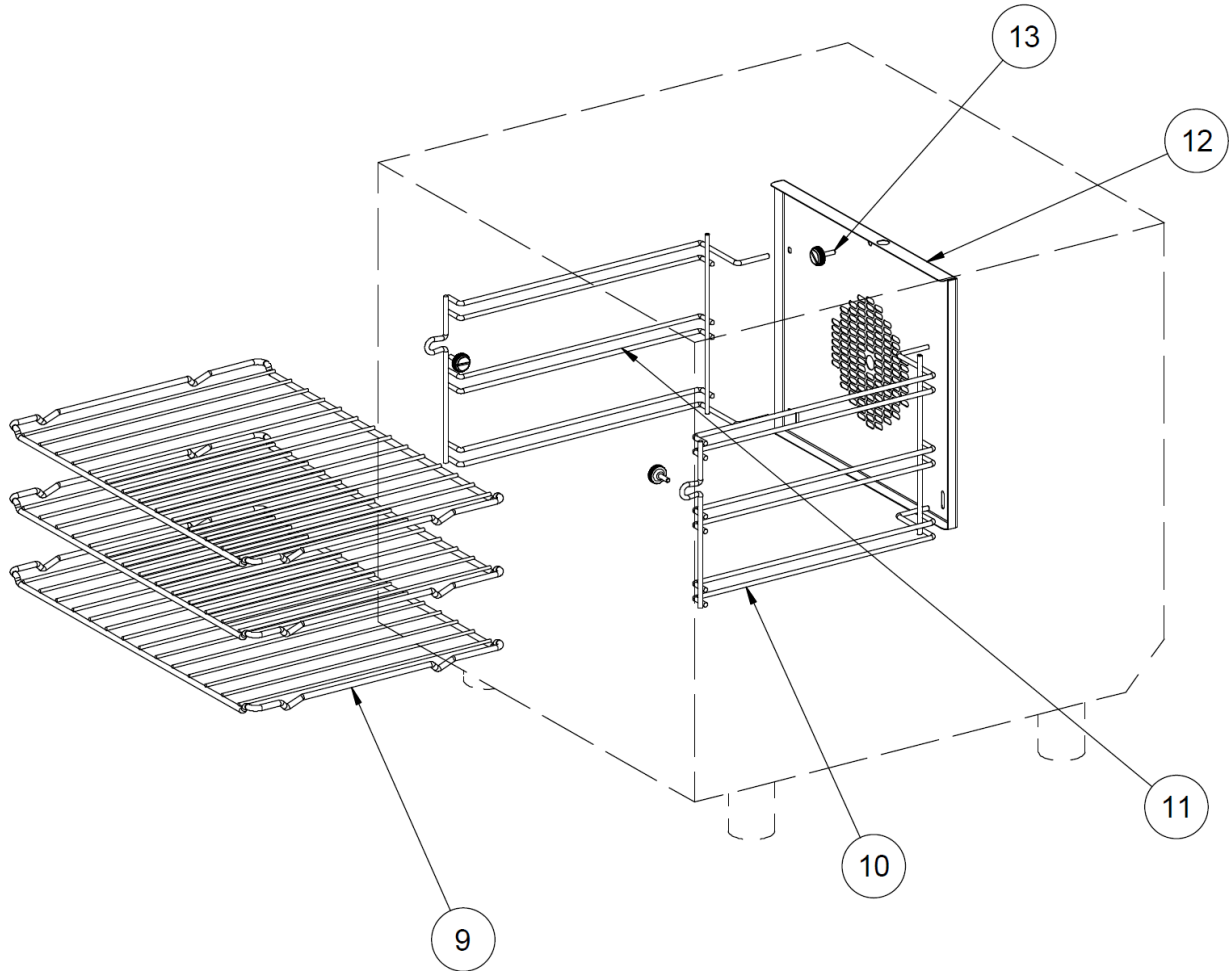
Elements and Motors - E28D



ITEM	PART No.	DESCRIPTION	*RPL
14	238981	WATER SOLENOID 180° JG1/4" 240V RPE	A
	025922	ADAPTOR 3/4" BSP/GHT, BRASS (USA / CA / MX ONLY).	
	021527	WASHER RUBBER 23 X 14.5 X 1.5MM (USA / CA / MX ONLY).	
15	234429	TRANSFORMER 208/240V x 12VAC SEC 20VA	B
16	238881	RELAY DPST HF92F 30A 240VAC	B
17	234821	OVERTEMP THERMOSTAT 355°C-20K 55.33579.030	A
18	026160	TERMINAL BLOCK	D
19	234251	CAPACITOR 5µF, 208-240V	B
	237336	CAPACITOR 6µF, 200V	B
20	238983	WATER ELBOW ASSEMBLY	D
21	021057	SPRAY NOZZLE	C
22	238986	GASKET - WATER ELBOW	A
23	233862	MICROSWITCH	A
24	237447K	TEMP PROBE KIT DIGITAL	B
25	235585	FAN MOTOR KIT	B
26	238989	MOTOR SHAFT SEAL	B
27	234137	FAN	B
	235420	FAN PULLER / TIGHTENER (not shown)	C
28	234088	OVEN ELEMENT 2800W 240V - E28D4	B
	234089	OVEN ELEMENT 2800W 220V - E28D4	B
	236264	ELEMENT GASKET (Not shown)	B
29	232108	LAMPHOLDER G9 HALOGEN	B
30	231814	LAMP BULB G9/25W, HALOGEN	A
31	021352	GLASS LENS	A
32	021354	GASKET	A
33	021353	SUPPORT FRAME	A
34	234802	FUSE HOLDER - E28D4 ONLY	D
	234803	FUSE 10 AMP - E28D4 ONLY	A

*Recommended Parts Level	
RPL	Number of units in service
A	1-5
B	5-10
C	10-50
D	50+

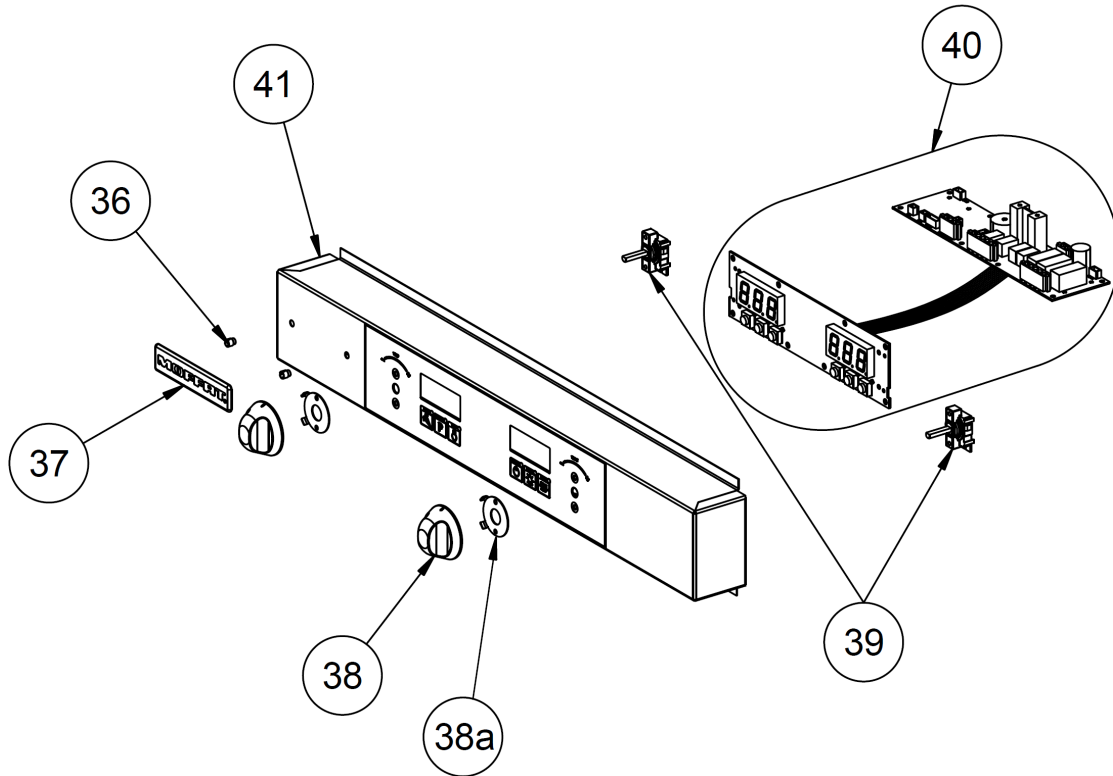
Oven Racks - All Ovens



ITEM	PART No.	DESCRIPTION	*RPL
9	233564	OVEN RACK E23	D
	233565	OVEN RACK E27, E28	D
	238220	OVEN RACK E27, E28, 600 x 400	D
10	232683	SIDE RACK RH E23	D
	234722	SIDE RACK RH E27, 2 Tray	D
	233559	SIDE RACK RH E27, 3 Tray	D
	238215	SIDE RACK RH, E27, 2 Tray, 600 x 400	D
	238217	SIDE RACK RH, E27, 3 Tray, 600 x 400	D
	238219	SIDE RACK RH, E28, 600 x 400	D
	233556	SIDE RACK, E28	D
	232682	SIDE RACK LH E23	D
11	234721	SIDE RACK LH E27, 2 Tray	D
	233558	SIDE RACK LH E27, 3 Tray	D
	238214	SIDE RACK LH E27, 2 Tray, 600x400	D
	238216	SIDE RACK LH, E27, 3 Tray, 600 x 400	D
	238218	SIDE RACK LH, E28, 600 x 400	D
	233556	SIDE RACK, E28	D
12	232879	FAN BAFFLE E23	D
	232896	FAN BAFFLE ASSY E27	D
	232685	FAN BAFFLE ASSY E28	D
13	233552	THUMBSCREW	B
Not Shown	748061	EXPANSION NUT	B

*Recommended Parts Level	
RPL	Number of units in service
A	1-5
B	5-10
C	10-50
D	50+

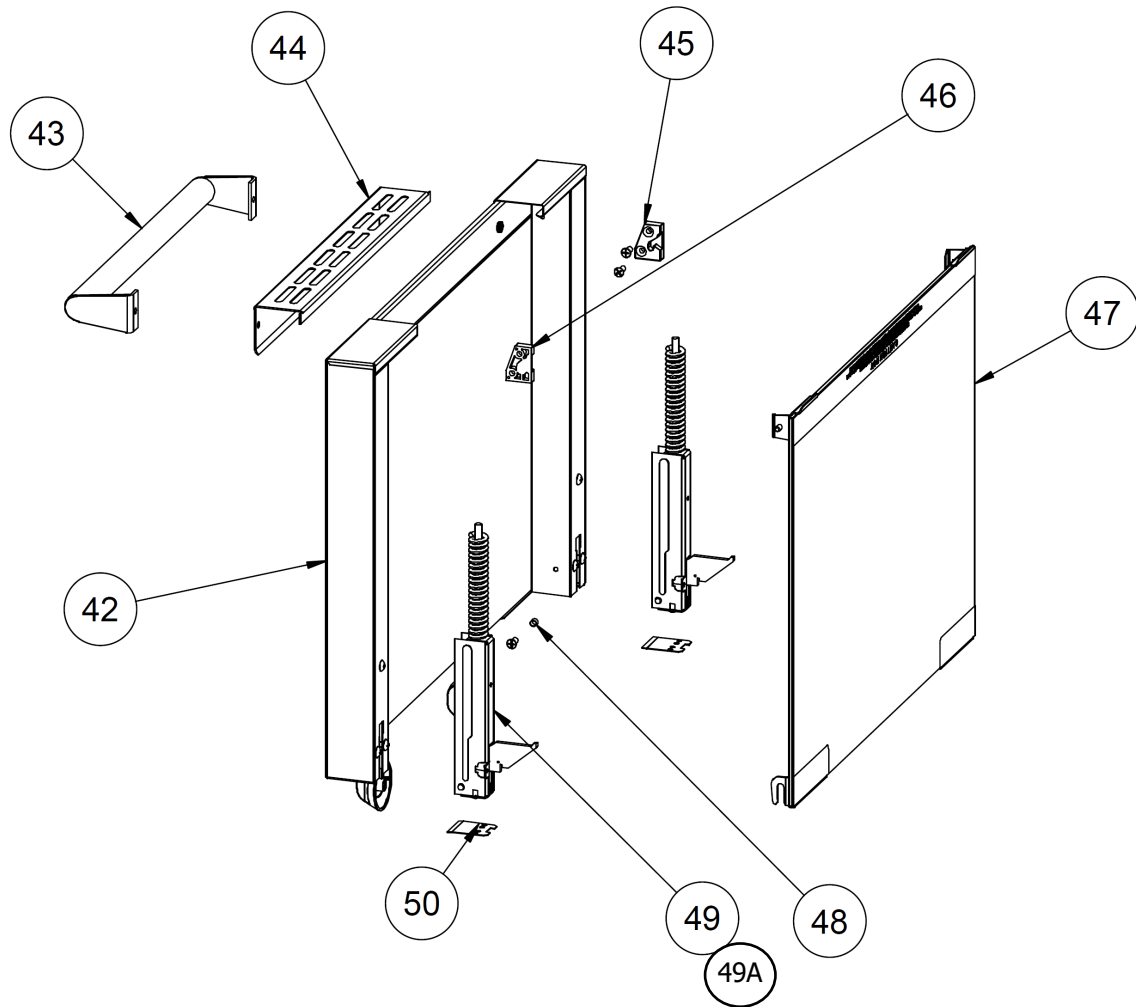
Control Panel - ALL



ITEM	PART No.	DESCRIPTION	*RPL
36	228132	TUBE CLIP	B
37	233865	BADGE MOFFAT	D
	233867	BADGE BLUE SEAL UK, CAN	D
38	234447	KNOB INDEX	B
38a	238895	KNOB STOP PLATE	
39	238407	ENCODER MOMENTARY 1.1M	A
40	238194	DIGITAL CONTROLLER KIT	B
Not Shown	242320	5-WAY MATE-N-LOK CONNECTOR / PLUG KIT	
Not Shown	242321	3-WAY MATE-N-LOK CONNECTOR / PLUG KIT	
Not Shown	242322	2-WAY MATE-N-LOK CONNECTOR / PLUG KIT	
41	238124	CONTROL PANEL LAMINATED E23D	D
	238125	CONTROL PANEL LAMINATED E27D / E28D	D

*Recommended Parts Level	
RPL	Number of units in service
A	1-5
B	5-10
C	10-50
D	50+

Door Assembly ALL Ovens



ITEM	PART No.	DESCRIPTION	*RPL
42	233911	DOOR OUTER E23	C
	233341	DOOR OUTER E27	C
	233340	DOOR OUTER E28	C
43	235151	DOOR HANDLE E23	D
	235152	DOOR HANDLE E27 / E28	D
44	233918	DOOR TOP TRIM E23	D
	233254	DOOR TOP TRIM E27 / E28	D
45	234602	INNER GLASS CATCH T-FAN LH	D
46	234624	INNER GLASS CATCH T-FAN RH	D
47	233913	DOOR INNER GLASS ASSY E23	C
	233368	DOOR INNER GLASS ASSY E27	C
	233346	DOOR INNER GLASS ASSY E28	C
48	003397	ELEMENT SPACER PLATED	D
49	233293	DOOR HINGE E23	C
	233294	DOOR HINGE E27	C
	233295	DOOR HINGE E28	C
49A	233296	HINGE COUNTER BRACKET (Not Illustrated)	
50	233352	DOOR BOTTOM COVER	D

*Recommended Parts Level	
RPL	Number of units in service
A	1-5
B	5-10
C	10-50
D	50+

SK STANDS



SK23 - Stand for E22 and E23
610mm/24"(W) x 530mm/20⁷/₈"(D) x 900mm/35¹/₂"(H)
Accepts US¹/₂ pan and EN²/₃ tray



SK2731U - Stand for E27 / E28
810mm/32"(W) x 650mm/25¹/₂"(D) x 900mm/35¹/₂"(H)
Accepts US ¹/₂ and US full pan



SK2731N — Stand for E27 / E28
810mm/32"(W) x 650mm/25¹/₂"(D) x 900mm/35¹/₂"(H)
Accepts EN 600x400 or GN1/1 pans



FOODSERVICE EQUIPMENT SPARES LTD

UNIT 4 SANDBROOK PARK, SANDBROOK WAY, ROCHDALE, OL11 1RY

01706 353 633

SALES@FOODSERVICESPARES.COM



WWW.FOODSERVICESPARES.COM