

TECHNICAL DIAGRAMS



UG505DUK

01706 353 633

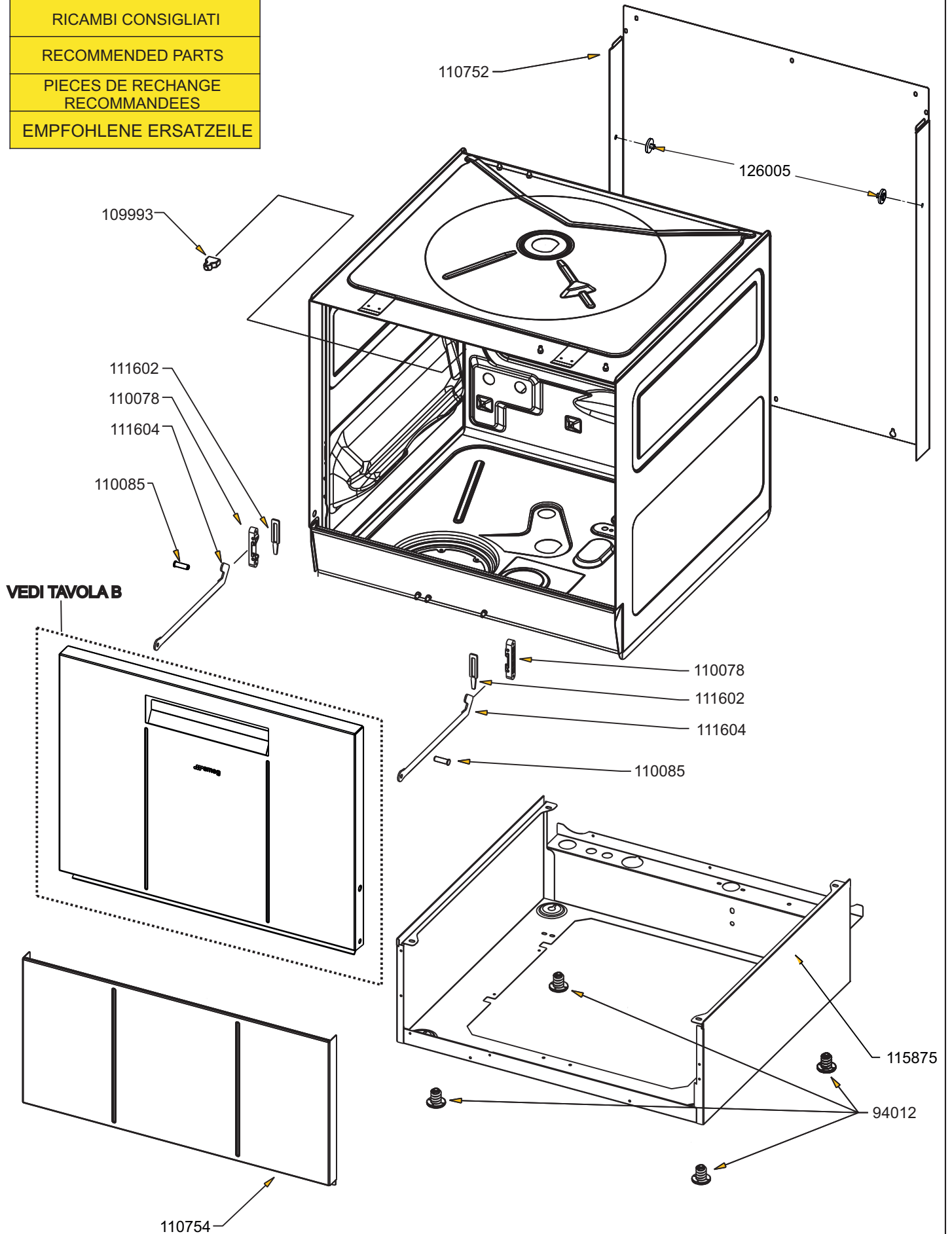
WWW.FOODSERVICESPARES.COM

RICAMBI CONSIGLIATI

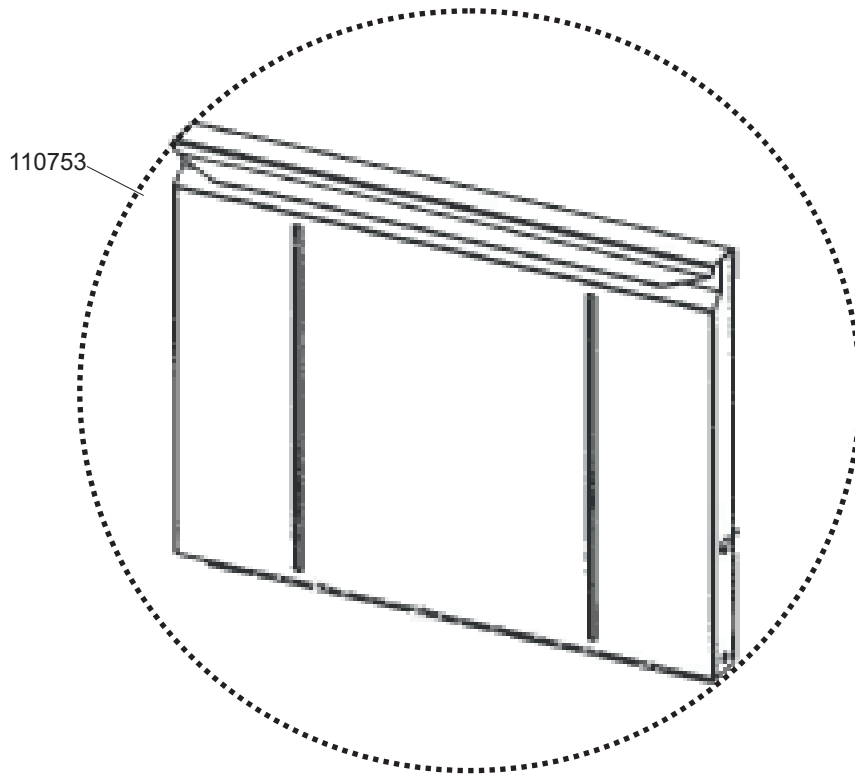
RECOMMENDED PARTS

PIECES DE RECHANGE
RECOMMANDEES

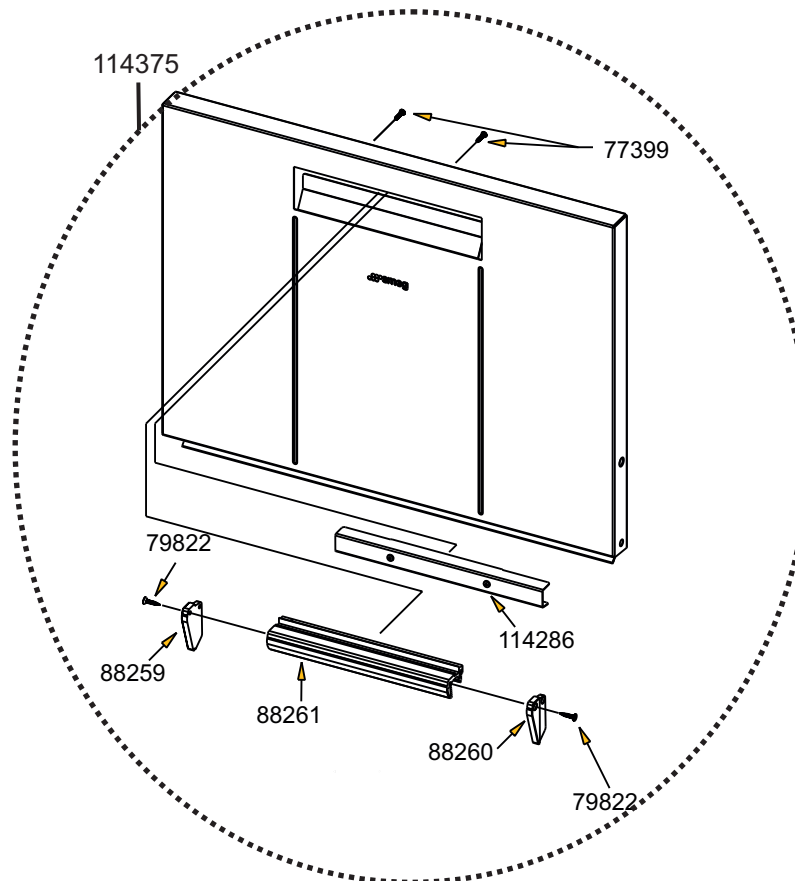
EMPFOHLENE ERSATZEILE



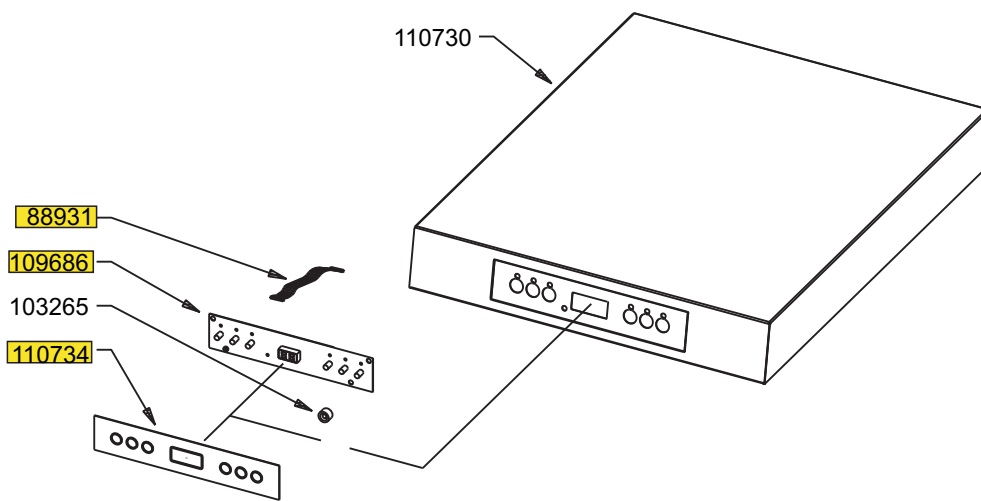
PORTA VECCHIA



PORTA NUOVA

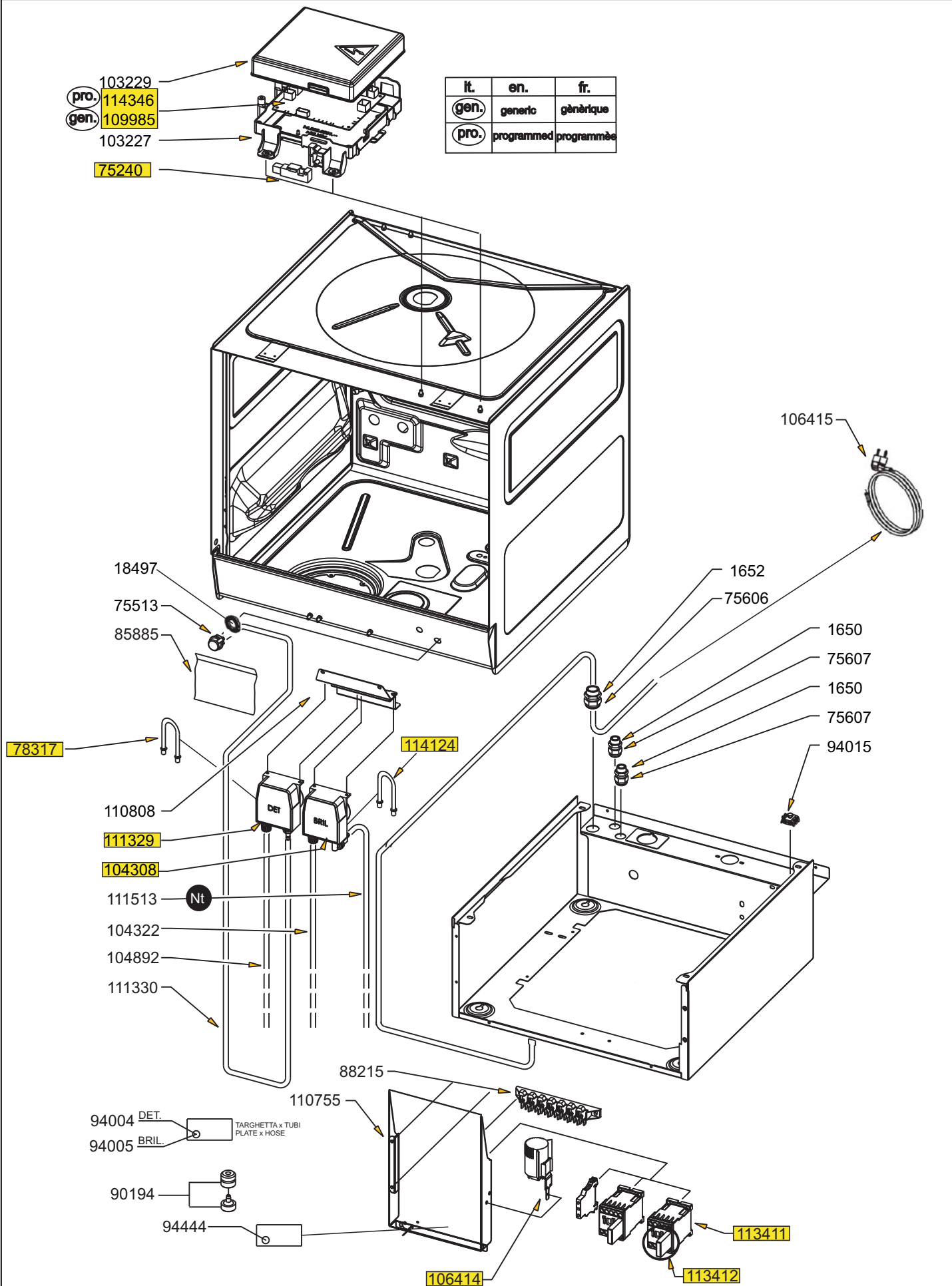


VERSIONE ECO 2016



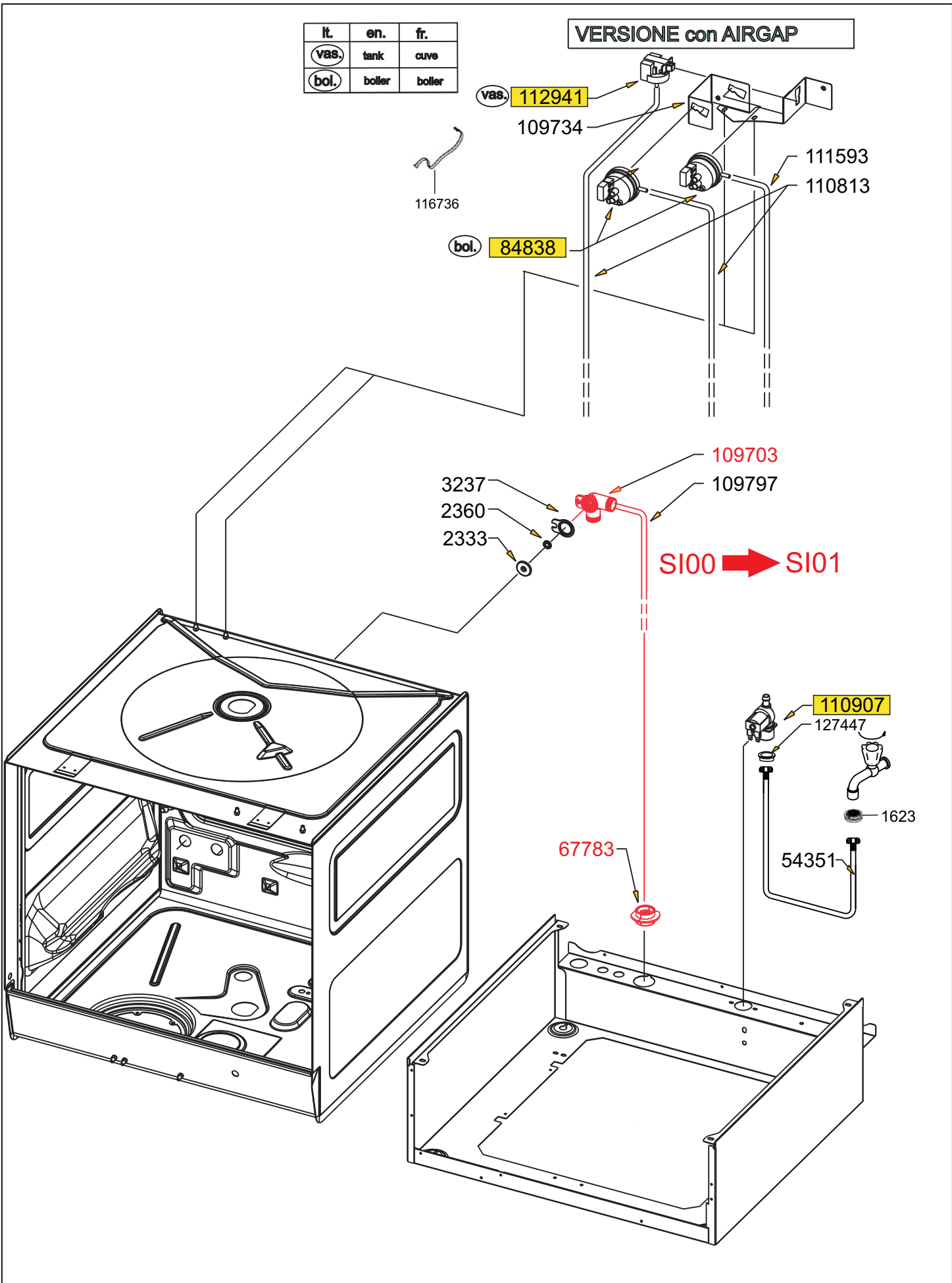
- 103229
- pro. 114346
- gen. 109985
- 103227
- 75240

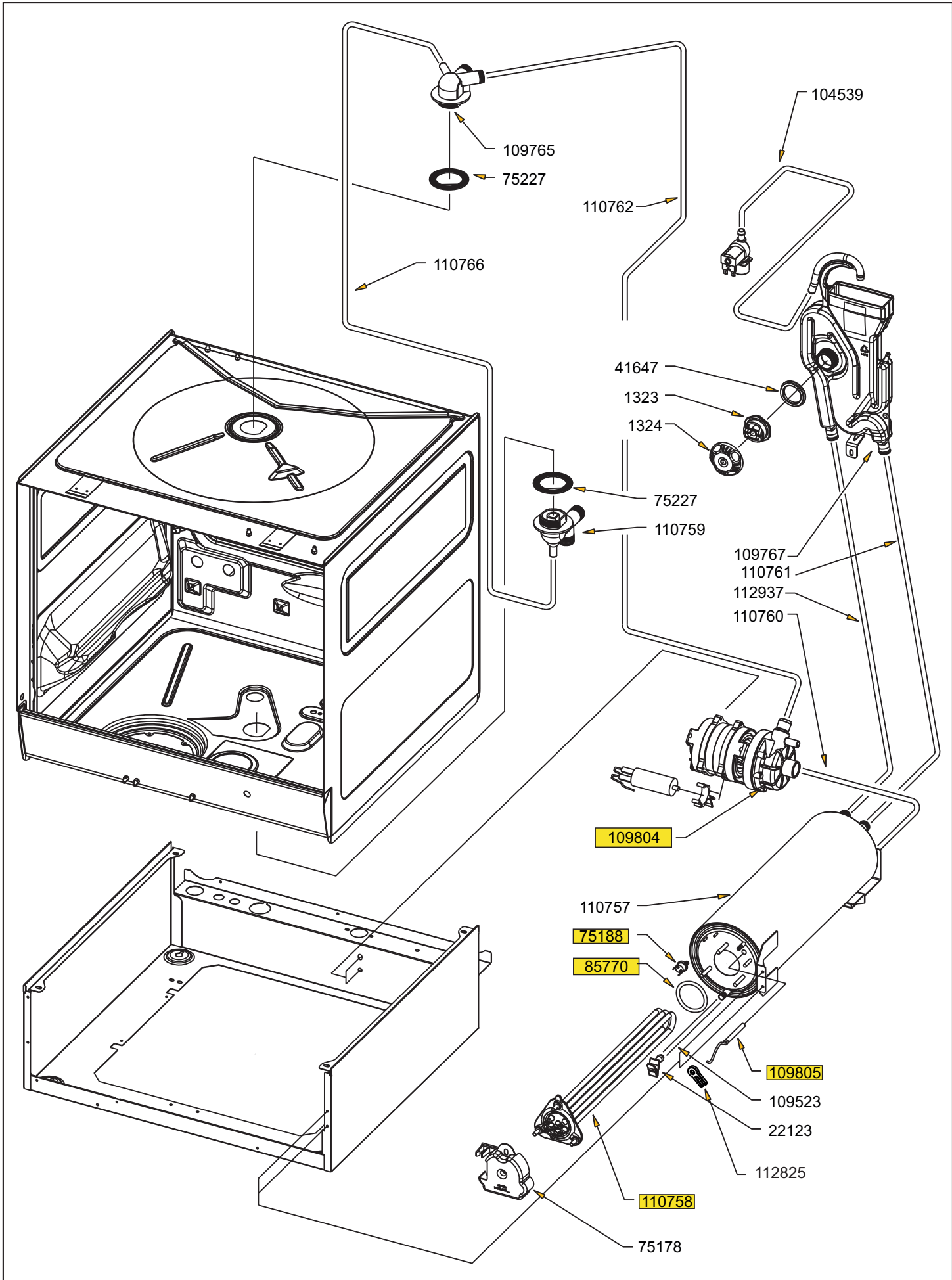
it.	en.	fr.
gen.	generic	générique
pro.	programmed	programmée

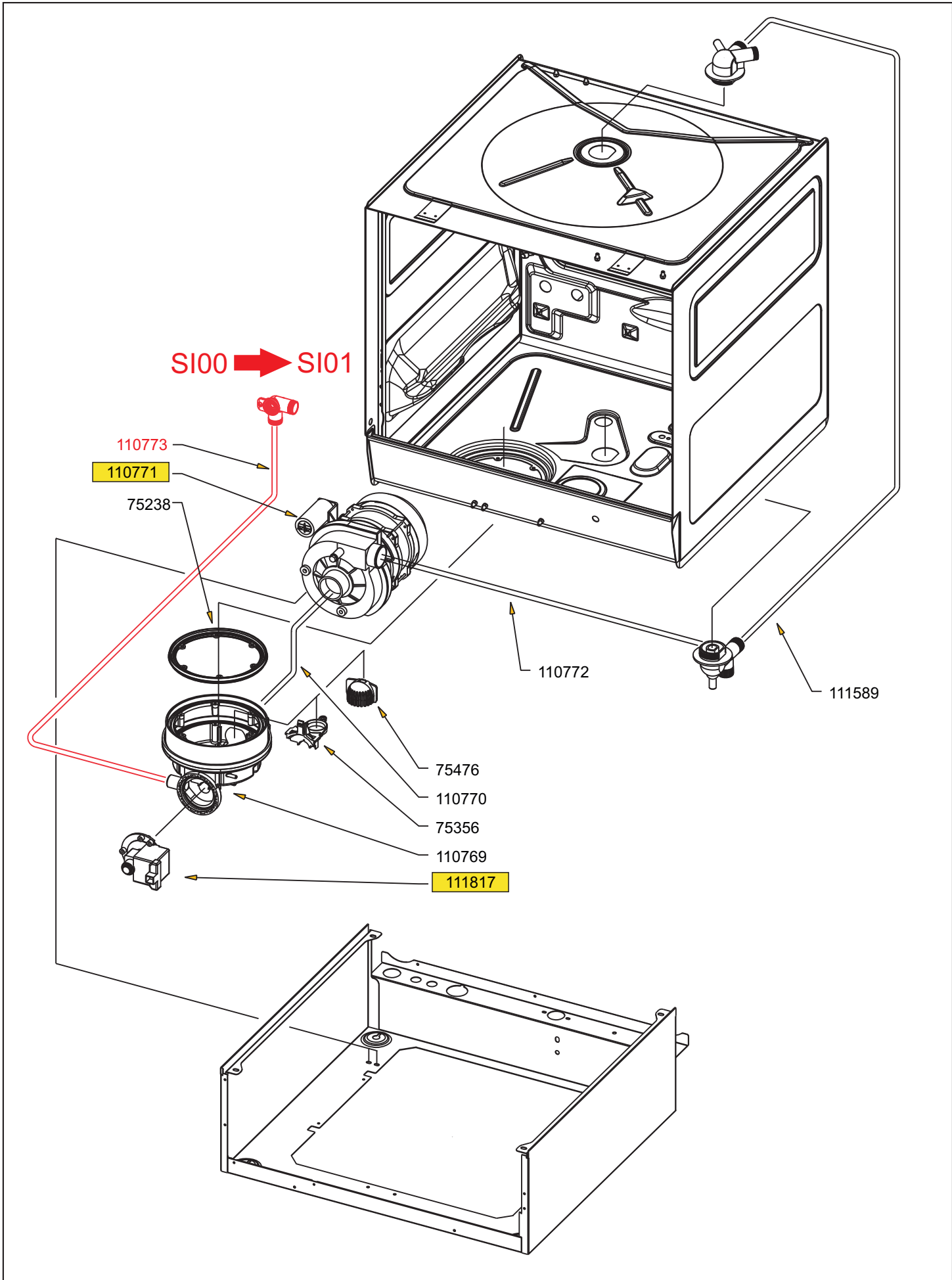


it.	en.	fr.
vas.	tank	cuve
bol.	boiler	boiler

VERSIONE con AIRGAP







SI00 → SI01

110773

110771

75238

110772

11589

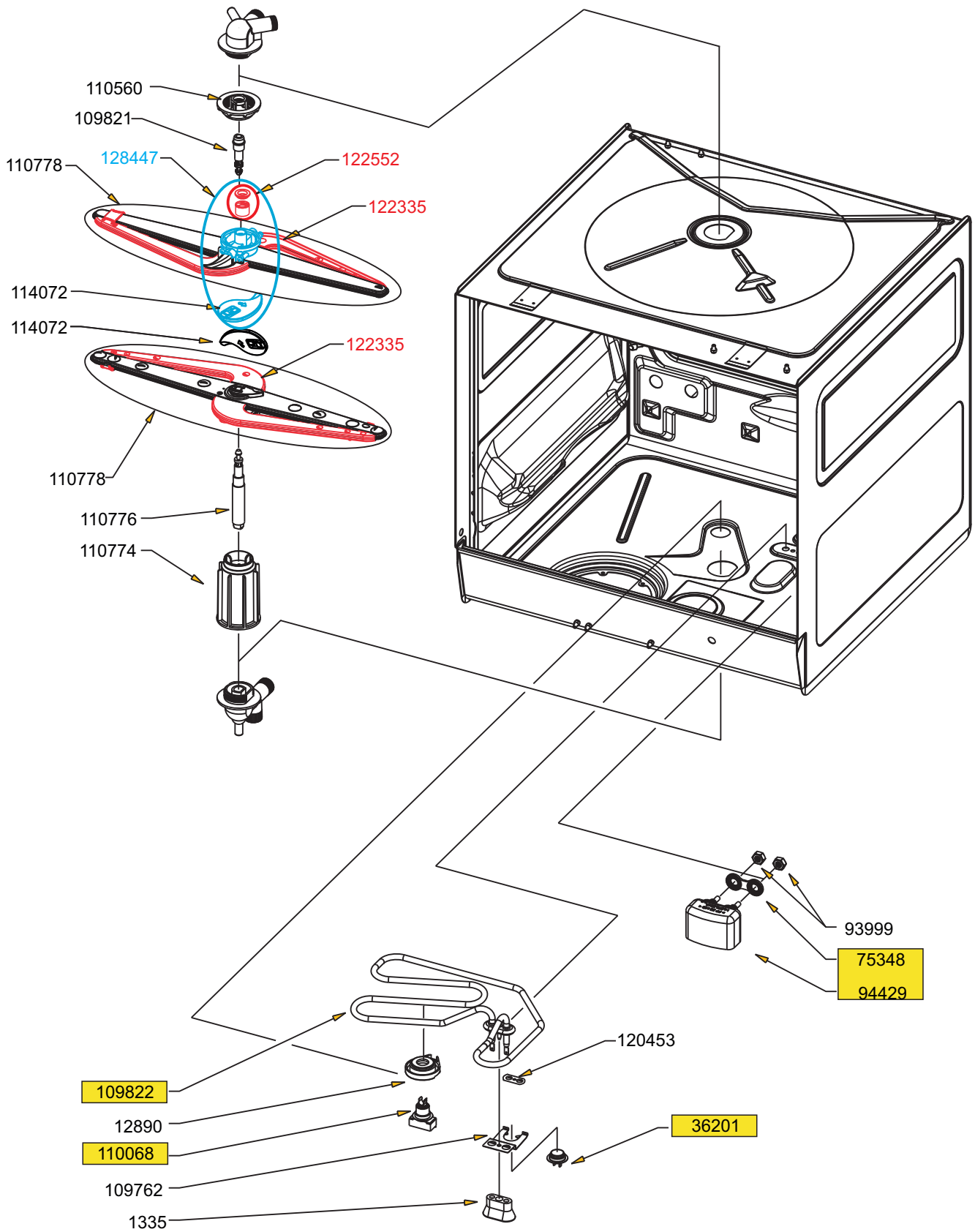
75476

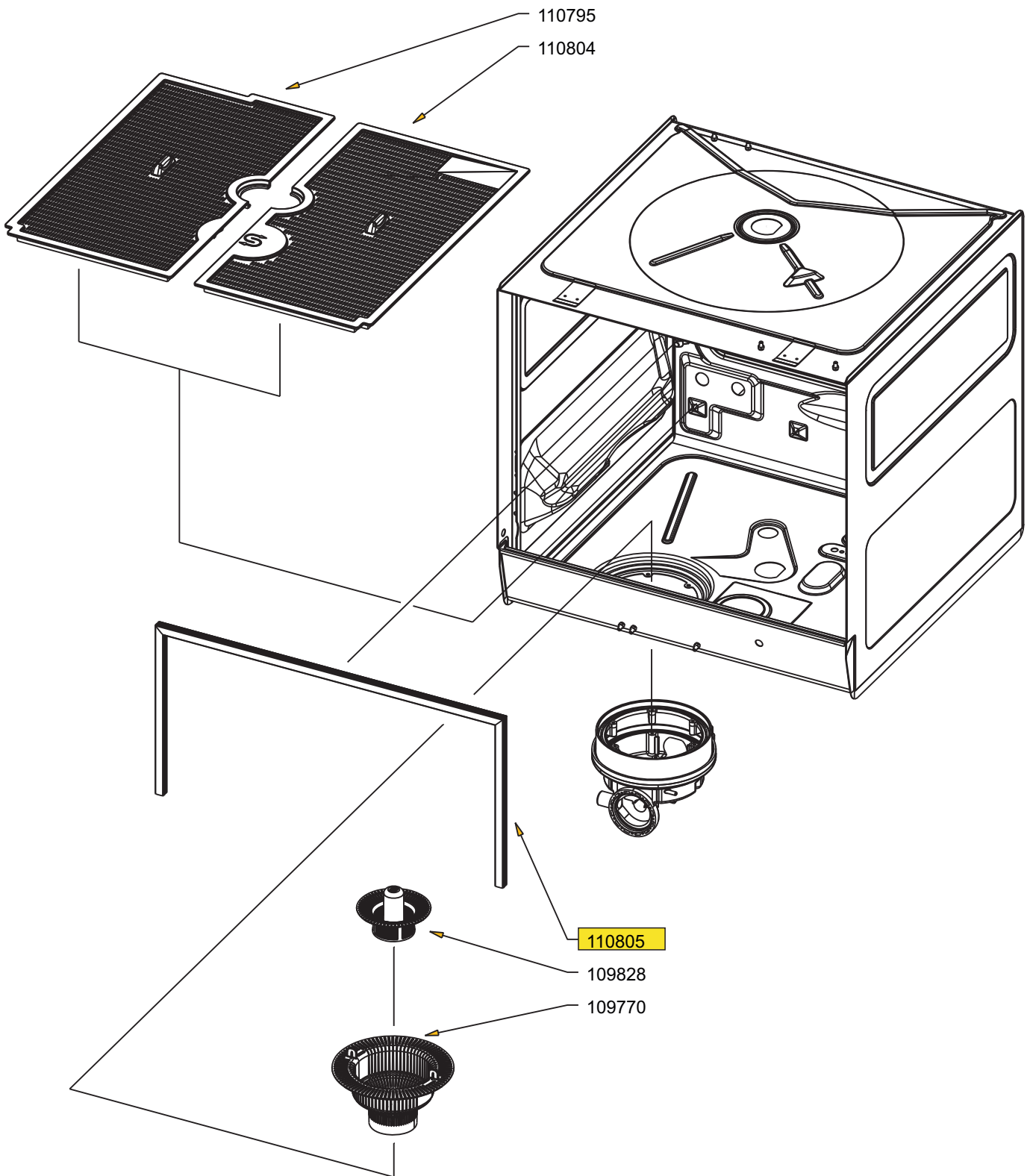
110770

75356

110769

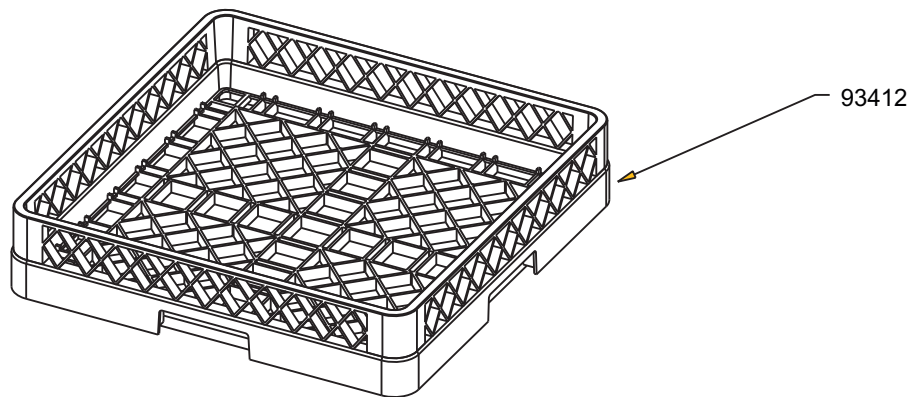
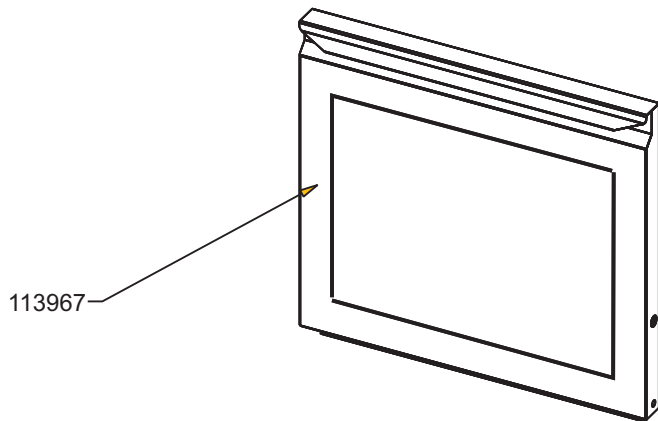
111817





110795
110804

110805
109828
109770



TUBI/HOSE/TUYAU/SCHLAUCH

TYPE	CODE	N.POS.	Qt./Mt.
Gw	758975183	111580	5
Nt	758975181	111513	5
B	758975033	109144	5
Nd	758975036	109178	5
Np	758975035	109177	5
Wt	758975034	109176	5
Az	758975317	114953	5
Rs	758975318	114954	5



FOODSERVICE EQUIPMENT SPARES LTD

UNIT 4 SANDBROOK PARK, SANDBROOK WAY, ROCHDALE, OL11 1RY

01706 353 633

SALES@FOODSERVICESPARES.COM



WWW.FOODSERVICESPARES.COM