



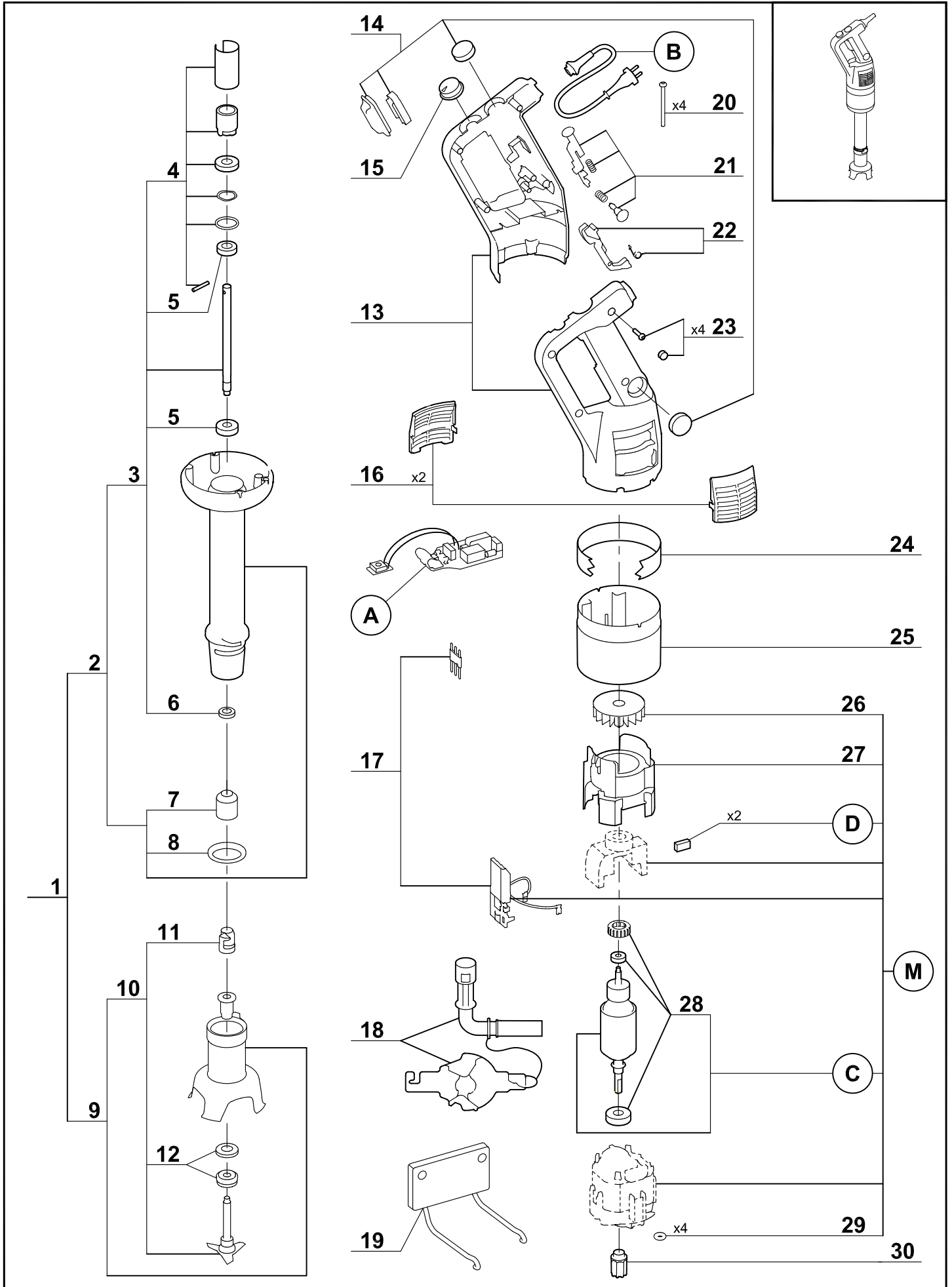
TECHNICAL DIAGRAMS

robot  ***coupe***[®]

CMP 350 VV

01706 353 633

WWW.FOODSERVICESPARES.COM



Index PDF	Référence	Designation commerciale	Tarif
A	89751	CIRCUIT BOARD	84.00 ST
B	89539	POWER CORD	23.40 ST
C	89759	INDUCED CIRCUIT	77.30 ST
D	89575	BRUSH ASSEMBLY(x2)	6.90 ST
M	89768	MOTOR	225.80 ST
1	89081	COMPLETE FOOT ASSEMBLY	214.00 ST
2	89654	COMPLETE FOOT ASSEMBLY	144.00 ST
3	89687	DRIVING SHAFT	54.40 ST
4	89643	FOOT KIT	14.40 ST
5	89645	BEARING 608 2RS	7.00 ST
6	89646	SEAL 8x18x5	7.00 ST
7	89626	DRIVING FRAME	17.60 ST
8	89628	MP/CMP FOOT SEAL	4.40 ST
9	89678	BELL COVER ASSEMBLY	126.70 ST
10	89676	BLADE	67.40 ST
11	89627	DRIVING HUB	14.00 ST
12	89642	SEAL RING	15.40 ST
13	89547	CMP HANDLES L+R KIT	27.90 ST
14	89533	WATERPROOFNESS KIT	10.10 ST
15	89536	MP/CMP VARIATOR SWITCH	13.60 ST
16	89546	VENT COVERS KIT	3.50 ST
17	89548	CONNECTOR KIT	21.20 ST
18	89662	DISMOUNTING TOOL	17.40 ST
19	89629	WALL BRACKET	25.50 ST
20	89623	SCREW M4x95	3.80 ST
21	89530	KNOBS KIT	19.10 ST

22	89531	COMMAND ARM KIT	37.10 ST
23	89289	[Spare parts translation not found]	8.00 ST
24	89607	FERRULE	12.90 ST
25	89612	MOTOR FERRULE	12.90 ST
26	89576	VENTILATOR	8.50 ST
27	89570	VENTILATOR PIPE	12.30 ST
28	89679	MOTOR BEARING	22.30 ST
29	89639	SEAL Ø2x1,5 x4	3.40 ST
30	89632	DRIVING HUB	2.70 ST



FOODSERVICE EQUIPMENT SPARES LTD

UNIT 4 SANDBROOK PARK, SANDBROOK WAY, ROCHDALE, OL11 1RY

01706 353 633

SALES@FOODSERVICESPARES.COM



WWW.FOODSERVICESPARES.COM