



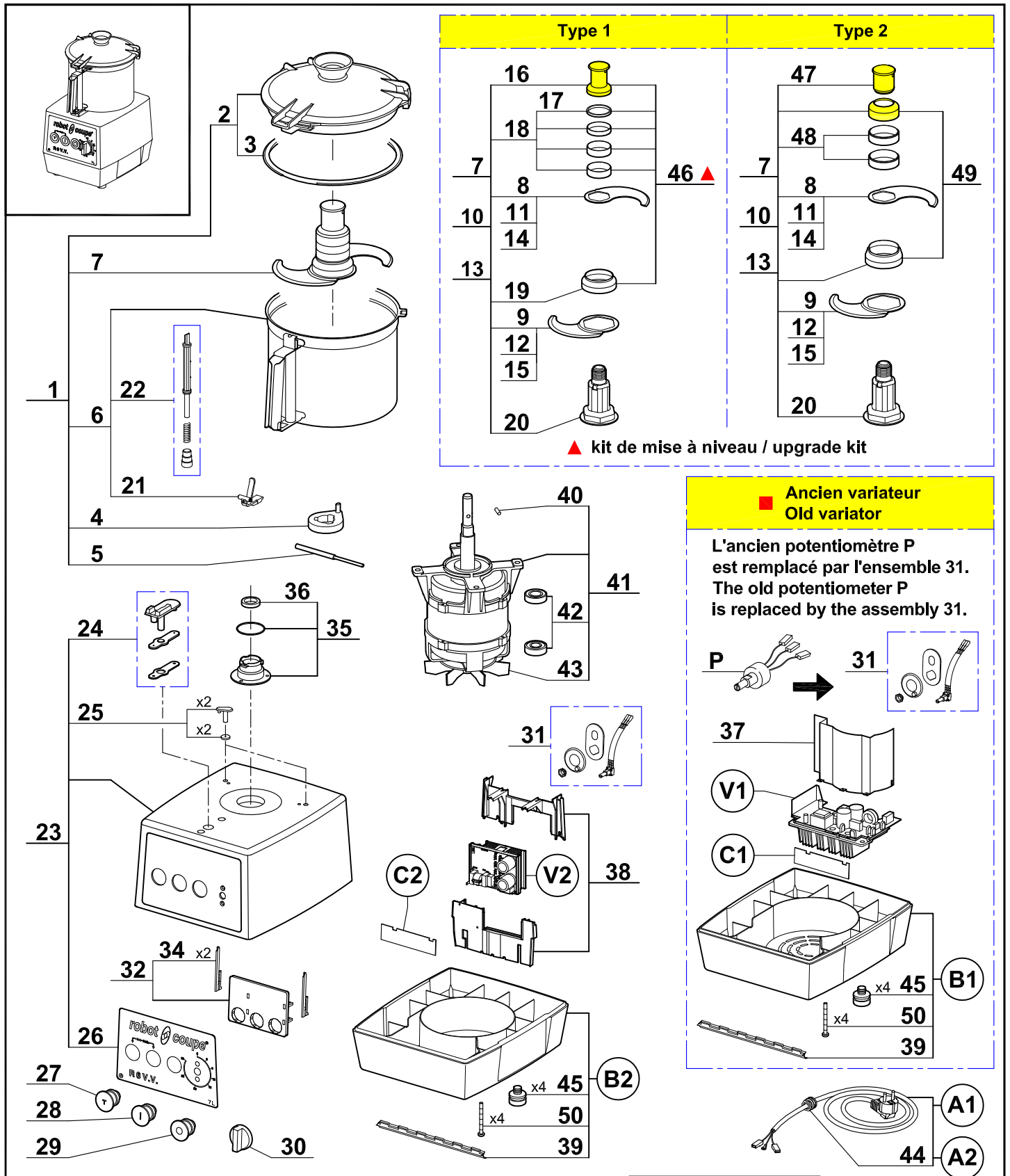
TECHNICAL DIAGRAMS

***robot***  ***coupe***<sup>®</sup>

R6VVA

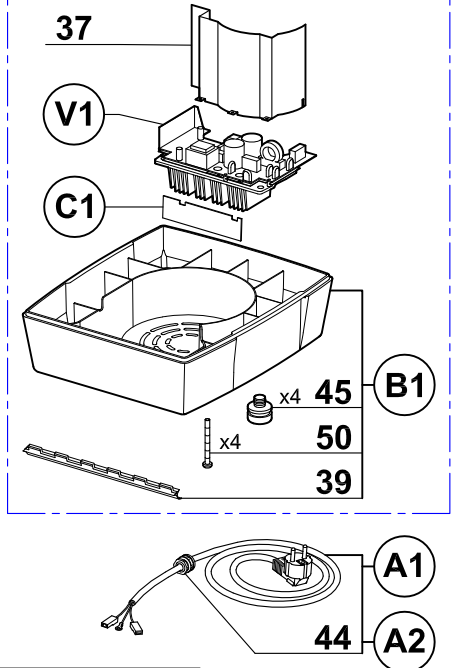
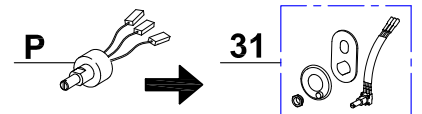
01706 353 633

WWW.FOODSERVICESPARES.COM



**Ancien variateur / Old variator**

L'ancien potentiomètre P est remplacé par l'ensemble 31.  
The old potentiometer P is replaced by the assembly 31.



L'ancien variateur n'est plus disponible, pour le remplacer commander le **kit de mise à niveau V1**. Vous recevrez le nouveau variateur V2, le socle B2, la carte boutons C2, le support variateur 38, les vis et la notice. Si vous avez déjà remplacé votre variateur par un nouveau, passez à la colonne 570.

**ATTENTION :** Si votre appareil est équipé du potentiomètre P, alors commander en plus le nouveau potentiomètre 31.

The old variator is no longer available, to replace it, order the **upgrade kit V1**. You will receive the new variator V2, the base B2, the controls board C2, the variator support 38, the screws and the technical instructions. If you have already changed your variator by a new one, use column 570.

**CAUTION :** If your machine is equipped with the potentiometer P, then order in addition the new potentiometer item 31.

<b>Index PDF</b>	<b>Référence</b>	<b>Designation commerciale</b>	<b>Tarif</b>
A1	503126	POWER CORD	19.70 ST
A2	39979	POWER CORD	28.10 ST
B1	<del>29584</del> 59191	BASE ASSEMBLY	143.80 ST
B2	<del>29620</del> 59192	BASE ASSEMBLY	141.90 ST
C1	117706S	PCB R602VV	19.30 ST
C2	39977	CONTROL BOARD	19.30 ST
V1	39975	VARIATOR	829.80 ST
V2	39972	VARIATOR	596.00 ST
1	27128	CUTTER ATTACHMENT	1,040.00 ST
2	29341	CUTTER LID	121.90 ST
3	117100S	LID SEAL R502/R602	29.50 ST
4	117320	BLADE DISMANTLING TOOL	4.00 ST
5	101845S	MINI BOWL KNIFE KEY	9.80 ST
6	117107S	CUTTER BOWL	531.40 ST
7	27124	STRAIGHT BL KNIFE CR	410.00 ST
8	49161	UPPER STRAIGHT BLADE	65.00 ST
9	49160	LOWER STRAIGHT BLADE	65.00 ST
10	27125	SERRATED BL KNIFE CR	420.00 ST
11	49163	UPPER SERRATED BLADE	75.00 ST
12	49162	LOWER SERRATED BLADE	75.00 ST
13	27352	FINE SERRATED BL KNIFE	420.00 ST
14	49165	UPPER FINE SERRATED BLADE	75.00 ST
15	49164	LOWER FINE SERRATED BLADE	75.00 ST
16	102073	BLADE LOCKING NUT	82.10 ST
17	117031	PLASTIC SPACER	14.30 ST

18	39835	S/S RING ASSEMBLY	39.10 ST
19	117029	LOWER SPACER	51.20 ST
20	103904	BLADE SUPPORT	179.70 ST
21	39827	SPRING CATCH ASSEMBLY	55.30 ST
22	39475	SAFETY ROD ASSEMBLY	35.40 ST
23	29583	MOTOR SUPPORT ASSEMBLY	667.20 ST
24	29586	REED SWITCH ASS	39.40 ST
25	29336	BOWL SUPPORT ASSEMBLY	25.90 ST
26	401565	FRONT PLATE	14.10 ST
27	502171S	PULSE BUTTON	19.70 ST
28	502170S	I BUTTON	19.70 ST
29	502169S	STOP BUTTON	19.70 ST
30	117073S	POTENTIOMETER HANDLE	12.00 ST
31	39202	POTENTIOMETER	87.80 ST
32	29533	PCB SUPPORT ASSEMBLY	18.90 ST
34	117703S	PCB LOCKING KEY (X2)	1.60 ST
35	39088	SOCKET SUPPORT SEAL ASSEMBLY	118.00 ST
36	501624S	6,5 O RING	10.20 ST
37	103905	BAFFLE	11.90 ST
38	39973	VARIATOR SUPPORT	22.60 ST
39	117705S	AIR FLOW SEPARATOR	16.80 ST
40	110308S	MOTOR SHAFT PIN	3.50 ST
41	303009	MOTOR	867.10 ST
42	39819	BEARING ASSEMBLY	53.60 ST
43	105885	MOTOR FAN	9.40 ST
44	515515S	CORD PROTECTOR D16 SAREL9	5.40 ST
45	39833	GREY FOOT ASSEMBLY (X4)	7.30 ST

46	49114	R602 BLADE UPGRADE KIT	142.80 ST
47	49115	BLADE LOCKING NUT ASSEMBLY	93.70 ST
48	49117	STAINLESS STEEL RING H15MM ASSEMBLY	32.10 ST
49	49119	BLADE UPPER AND LOWER SPACER ASSEMBLY	58.10 ST
50	59542	BASE SCREWS (QTY = 4)	Contact us



FOODSERVICE EQUIPMENT SPARES LTD

UNIT 4 SANDBROOK PARK, SANDBROOK WAY, ROCHDALE, OL11 1RY

01706 353 633

SALES@FOODSERVICESPARES.COM



WWW.FOODSERVICESPARES.COM