



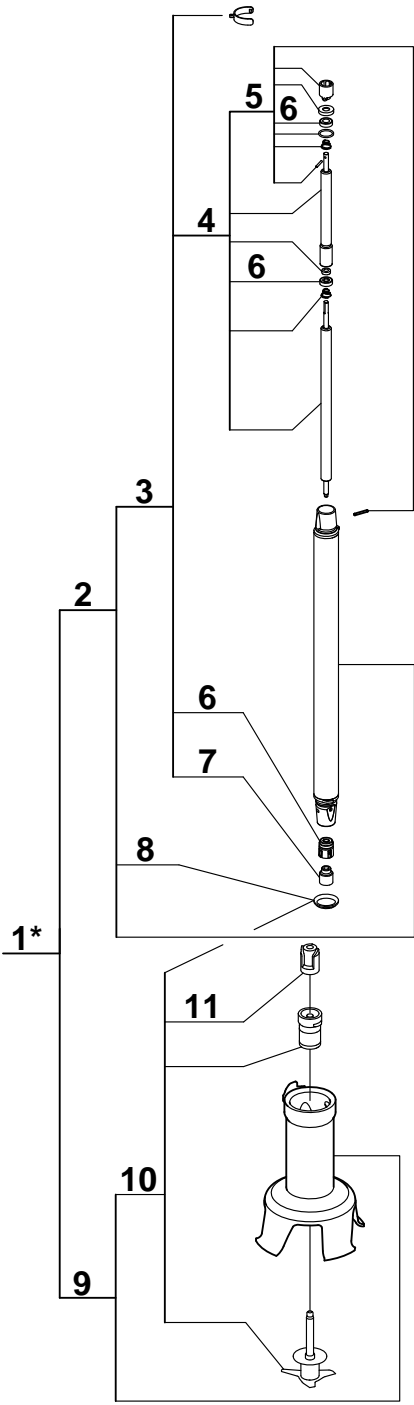
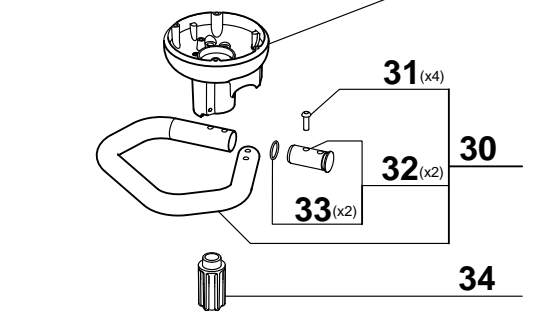
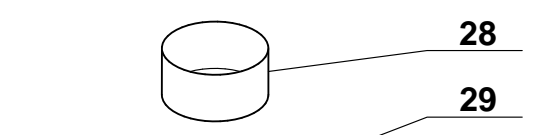
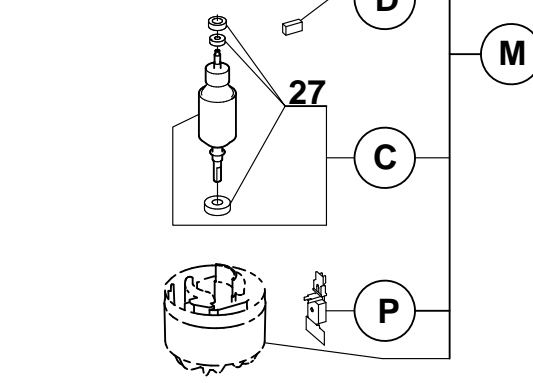
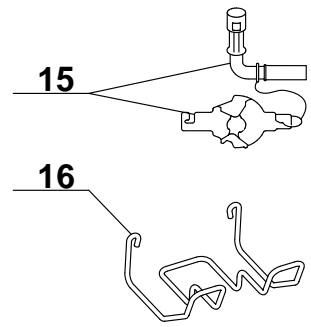
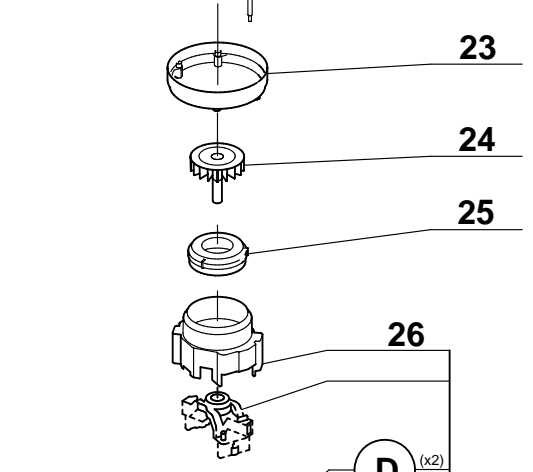
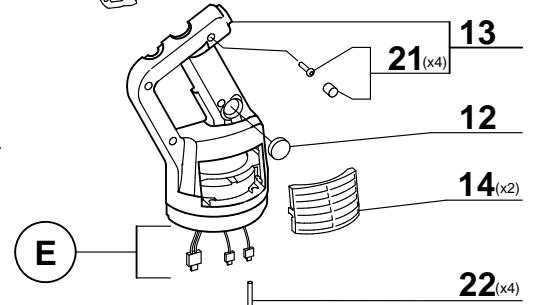
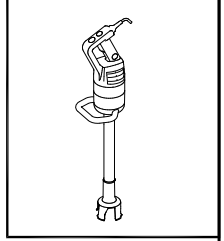
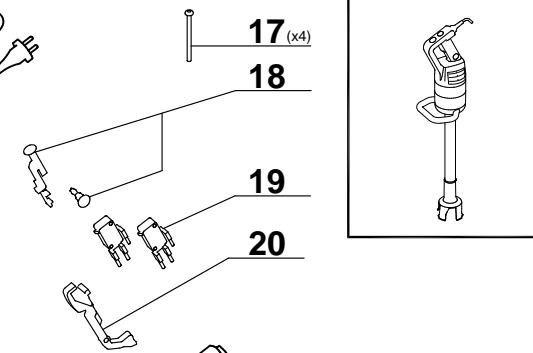
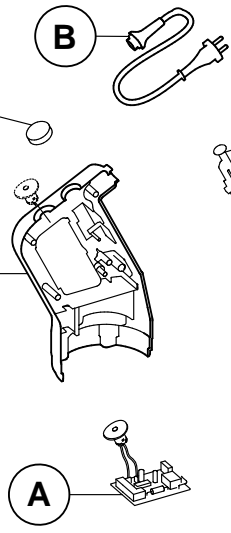
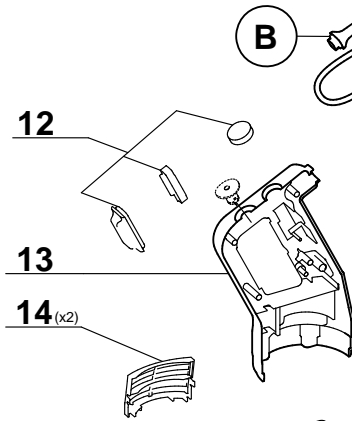
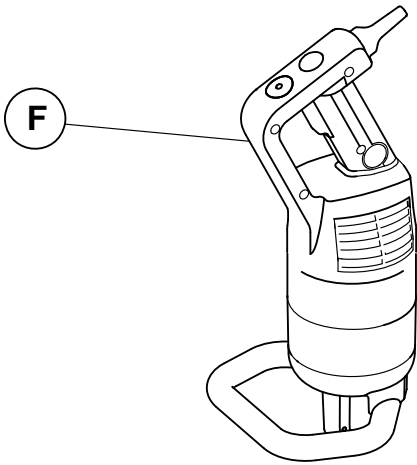
TECHNICAL DIAGRAMS

robot  coupe®

800 MP TURBO

01706 353 633

WWW.FOODSERVICESPARES.COM



* Voir tarif machine / see export price list

Index PDF	Référence	Designation commerciale	Tarif
A	89428	CIRCUIT BOARD	63.10 ST
B	89394	POWER CORD	26.20 ST
C	89976	INDUCED CIRC	140.00 ST
D	89535	BRUSH ASSEMBLY(x2)	8.10 ST
E	89011	ELECT WIRING ASSEMBLY	16.20 ST
F	89013	COMPLETE MOTOR BLOCK ASSEMBLY	532.90 ST
M	89021	MOTOR	340.90 ST
P	89615	RECTIFIER BRIDGE	22.70 ST
1	89001	COMPLETE FOOT ASSEMBLY	393.30 ST
2	89002	FOOT ASSEMBLY MP800T	360.20 ST
3	89003	COMPLETE DRIVING SHAFT ASSEMBLY MP800T	204.70 ST
4	89004	DRIVING SHAFT	174.00 ST
5	89643	FOOT KIT	11.90 ST
6	89006	FOOT BEARING	21.00 ST
7	89624	STAINL ST DRIVING FRAME	16.80 ST
8	89628	MP/CMP FOOT SEAL	3.60 ST
9	39344	STAINLESS STEEL BELL ASSEMBLY	167.80 ST
10	39345	BLADE	67.80 ST
11	89625	DRIVING HUB	13.80 ST
12	89533	WATERPROOFNESS KIT	8.00 ST
13	89534	HANDLES L+R KIT	31.60 ST
14	89508	GRID (x2)	4.20 ST
15	89662	DISMOUNTING TOOL	14.60 ST
16	89007	WALL BRACKET	33.90 ST
17	89622	SCREW M4x60	3.00 ST
18	89530	KNOBS KIT	15.90 ST

19	89365	MICROSWITCH	9.90 ST
20	89364	COMMAND ARM KIT	31.00 ST
21	89532	HANDLE SCREW	6.60 ST
22	89631	SCREWED SPACER	6.90 ST
23	89620	MOTOR FERRULE	7.80 ST
24	89573	VENTILATOR	8.30 ST
25	89577	AIR CONDUCTOR	4.60 ST
26	89569	VENTILATOR PIPE	10.20 ST
27	89507	MOTOR BEARING	20.10 ST
28	89008	FERRULE	21.00 ST
29	89009	ALUMINIUM CASING	46.70 ST
30	89000	ST STEEL HANDLE	54.70 ST
31	89022	HANDLE SCREW AFS	3.60 ST
32	89023	CAP AFS	20.60 ST
33	89024	SEAL CAP AFS	2.10 ST
34	89010	DRIVING HUB	4.70 ST



FOODSERVICE EQUIPMENT SPARES LTD

UNIT 4 SANDBROOK PARK, SANDBROOK WAY, ROCHDALE, OL11 1RY

01706 353 633

SALES@FOODSERVICESPARES.COM



WWW.FOODSERVICESPARES.COM