



TECHNICAL **DIAGRAMS**



Catering Equipment

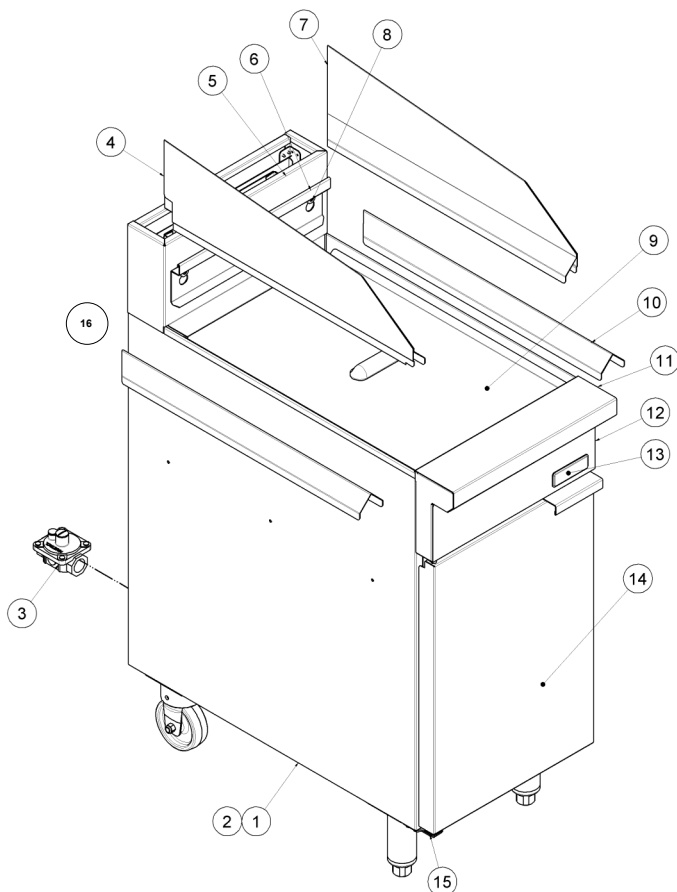
**COBRA CF4 GAS FRYER**

01706 353 633

[WWW.FOODSERVICESPARES.COM](http://WWW.FOODSERVICESPARES.COM)

## 8.1 CF4 Fryer

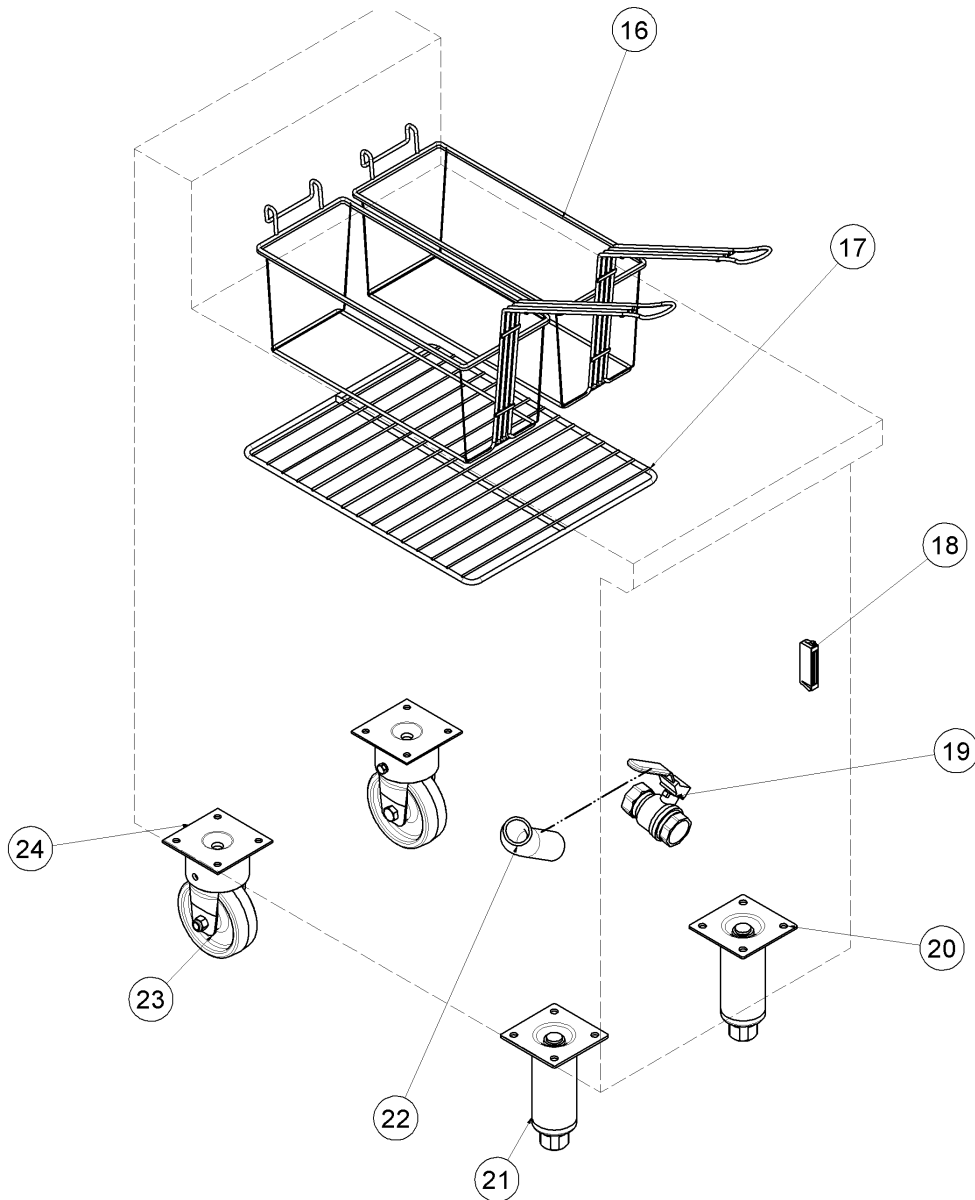
### 8.1.1 CF4 Main Assembly



Item	Part No.	Description	*RPL
1	229882	FRYER SIDE PANEL RH	D
2	229883	FRYER SIDE PANEL LH	D
3	228531	REGULATOR <sup>3</sup> / <sub>4</sub> " CONVERTIBLE (NAT. GAS, LPG, BUTANE)	C
	230185	REGULATOR <sup>3</sup> / <sub>4</sub> " ADJUSTABLE (TOWN GAS)	C
4	228898	SPLASHGUARD LH (OPTIONAL EXTRA)	D
5	229904	SPLASHBACK 400 COBRA	D
6	230613	BASKET HANGER COBRA	D
7	228899	SPLASHGUARD RH (OPTIONAL EXTRA)	D
8	025566	HANGER STUD	C
	041448	SCREW M5x12 CSK PHIL HD ST/ST	C
	044018	NUT M5 HEX S/S GLENLOCH LOCKNUT	D
9	230117	LID 400 FRYER (c/w HANDLE)	D
	015279	HANDLE (PART OF ITEM 9)	D
10	228600	JOINING CAP (JOINS TWO FRYERS) (OPTIONAL EXTRA)	D
11	229842	HOB FRONT WA	D
12	230507	CONTROL PANEL	D
13	230587	NAME PLATE COBRA	D
14	230714	FRYER DOOR ASSEMBLY	D
	228308	HINGE PIVOT WA	C
15	228300	HINGE PLATE	C
	228301	HINGE BUSH	C
16	230503	FRYER TANK	D
	231556	GAS TYPE CONVERSION KIT. NAT	
	231557	GAS TYPE CONVERSION KIT. LPG / PROPANE	
	231559	GAS TYPE CONVERSION KIT. BUTANE	
	232101	GAS TYPE CONVERSION KIT. TOWNS GAS	

* Recommended Parts Level	
RPL	Number of units in service
A	1-5
B	5-10
C	10-50
D	50+

8.1.2 CF4 Main Assembly

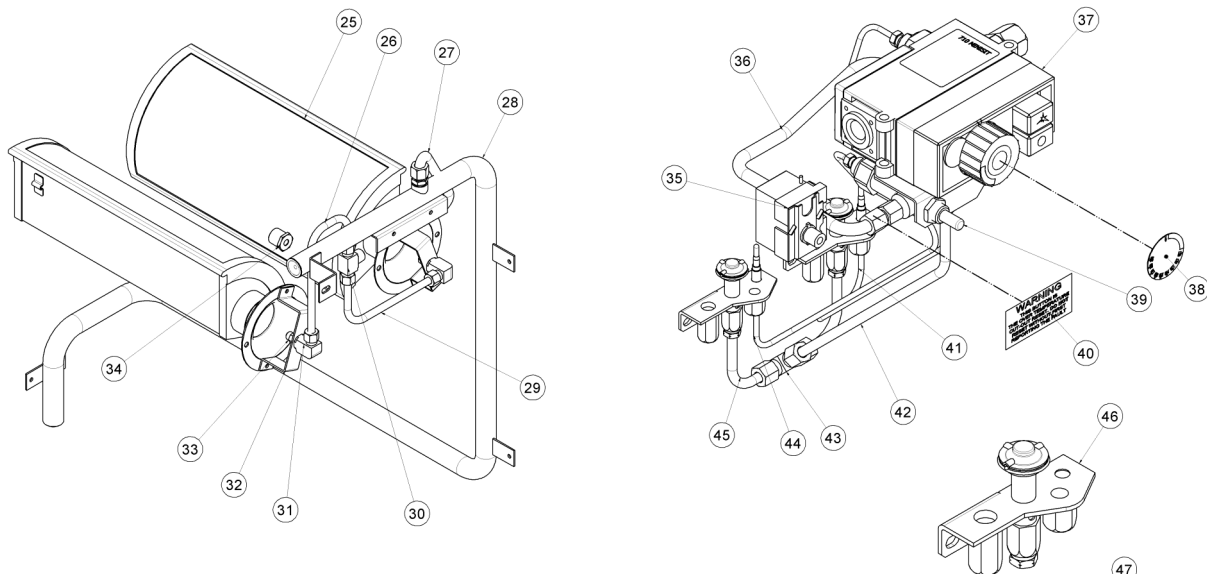


Item	Part No.	Description	*RPL
16	018019	FRYER BASKET -STANDARD	C
17	230461	BASKET GRID 400mm 1 PAN GAS	D
18	227856	MAGNETIC CATCH 02-10-201-10	C
19	019390	BALL VALVE 1"	D
20	230577	LEG PLATE	D
21	234059	LEG ASSY 150mm ST/ST	D
22	230116	DRAIN EXTENSION	C
23	229674	REAR ROLLER ASSY	D
24	229671	LEG RING PLATE THREADED	D
	235281	THERMOSTAT BULB GUARD - NOT ILLUSTRATED	C
	018176	DRAIN STICK - NOT ILLUSTRATED (OPTIONAL EXTRA)	D

*Recommended Parts Level	
RPL	Number of units in service
A	1-5
B	5-10
C	10-50
D	50+

# 7 Exploded Parts Lists

## 8.1.3 CF4 Gas Control Assembly



Item	Part No.	Description	*RPL
25	022575	BURNER	B
26	230072	BURNER SUPPLY PIPE LH	D
27	014408	MALE CONNECTOR 1/2" TUBE	D
28	229916	MANIFOLD	D
Not Shown	241887	TEST POINT SCREW	C
29	229927	BURNER SUPPLY PIPE RH	D
30	230261	TEE - 3/8" FITTING	D
31	229511	INJECTOR ELBOW x 3/8" T	D
	015152	NUT	
	015153	OLIVE	
32	227694	BURNER INJECTOR MTG BRACKET	D
33	032300	INJECTOR 3.00mm NAT GAS	C
	032180	INJECTOR 1.80mm LPG / PROPANE	C
	032630	INJECTOR 6.30mm TOWN GAS	C
	032170	INJECTOR 1.70mm BUTANE	C
34	230442	ADAPTOR 1/2" BSP x M9 (OVERTEMP)	D
35	229969	OVERTEMP 220C MILLIVOLT	A
36	230319	FLEXTUBE 12" x 1/4"OD ST/ST	D
	018097	NUT AND OLIVE COMBINED	D
37	231587	MINISIT 110-190C KIT (INCLUDES ITEM 38)	A
	235558	KNOB (INCLUDES LABEL)	B
38	230715	LABEL TEMPERATURE CONTROL COBRA 110°-190°	C
39	019237	FLAME FAILURE VALVE M1A/HP	B
	018904	FIXING NUT	
	011742	CONNECTOR VALVE END	
	013836	ELBOW	
	017744	MAGNET FOR FLAME FAILURE VALVE (PART OF ITEM 39)	B
40	021965	LABEL RESET	D
41	236265	THERMOCOUPLE INT LEADED	A
42	230074	PILOT SUPPLY TUBE	D
43	018111	TEE 64x4 TITON FITTING	D
44	018901	THERMOCOUPLE 450mm M8	A
45	227779	PILOT TUBE	D
46	018090K	PILOT BURNER KIT (INCLUDES ITEMS 48)	A
47	018743	THERMOCOUPLE SPACER	C
48	018091	PILOT SPUD - NAT 0.62mm	A
	018092	PILOT SPUD - LPG / BUTANE 0.35mm	A
	018091	PILOT SPUD - TOWN 0.75mm	A

*Recommended Parts Level	
RPL	Number of units in service
A	1-5
B	5-10
C	10-50
D	50+



FOODSERVICE EQUIPMENT SPARES LTD

UNIT 4 SANDBROOK PARK, SANDBROOK WAY, ROCHDALE, OL11 1RY

01706 353 633

SALES@FOODSERVICESPARES.COM



WWW.FOODSERVICESPARES.COM