



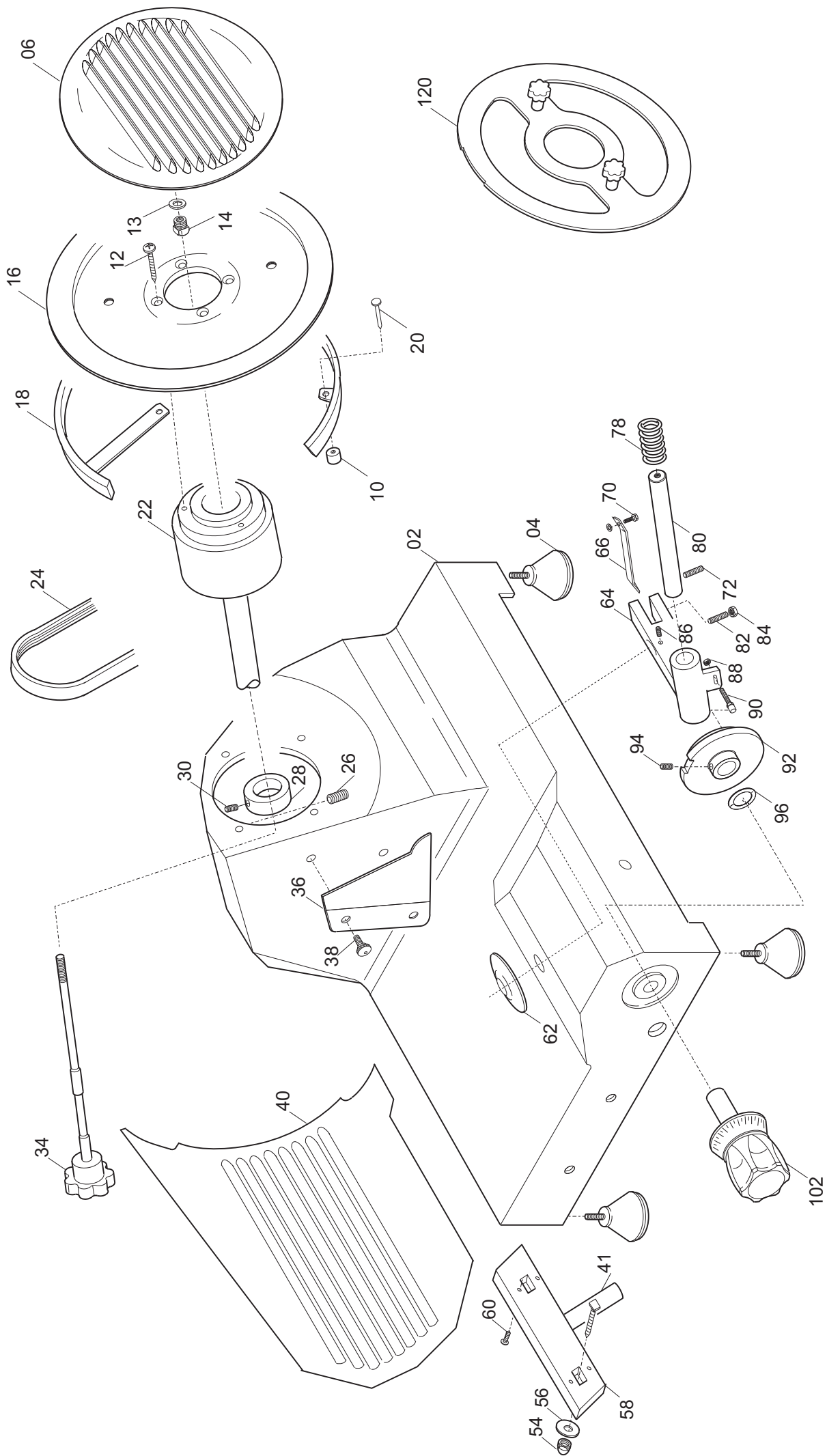
TECHNICAL DIAGRAMS



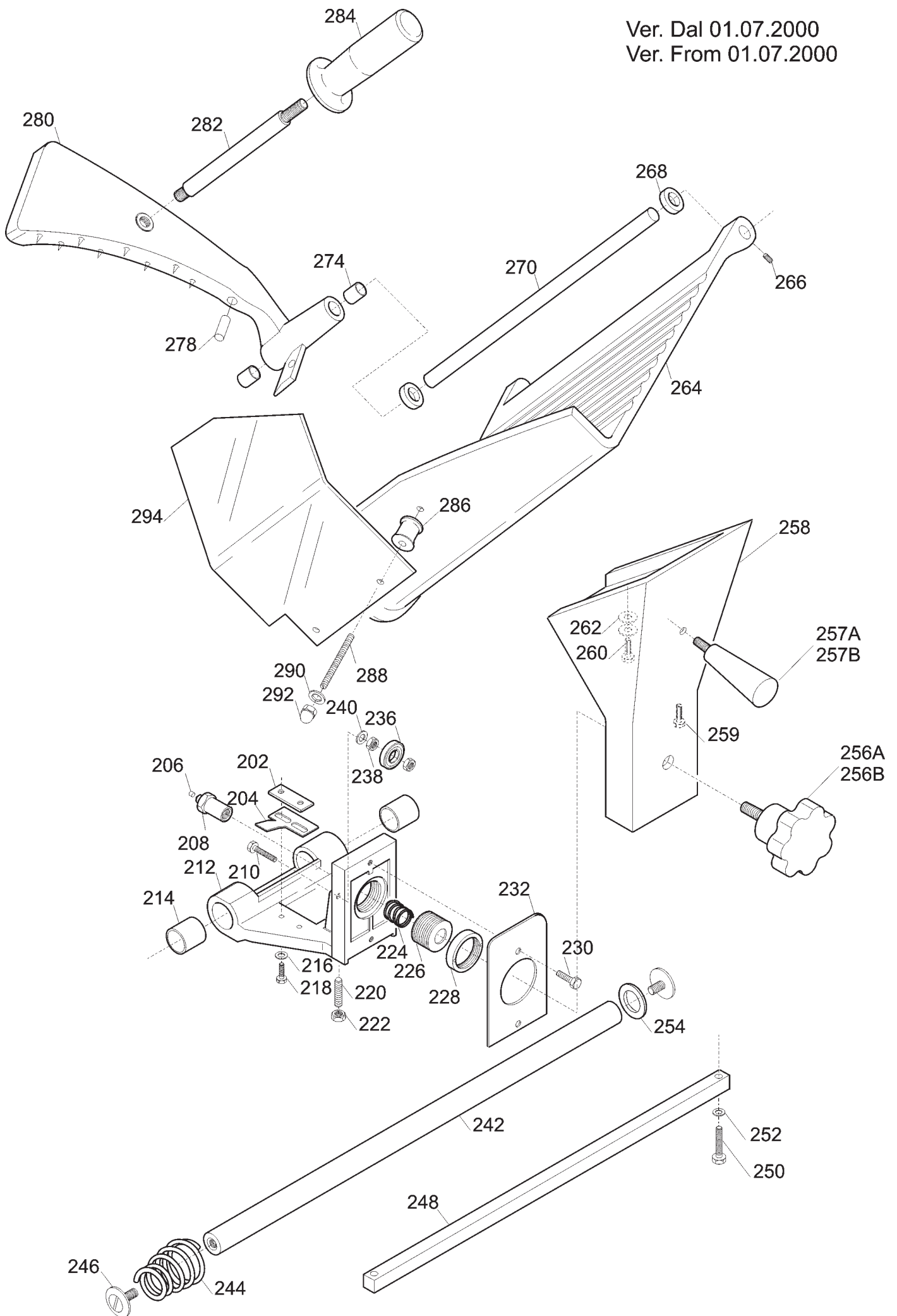
300 Y09

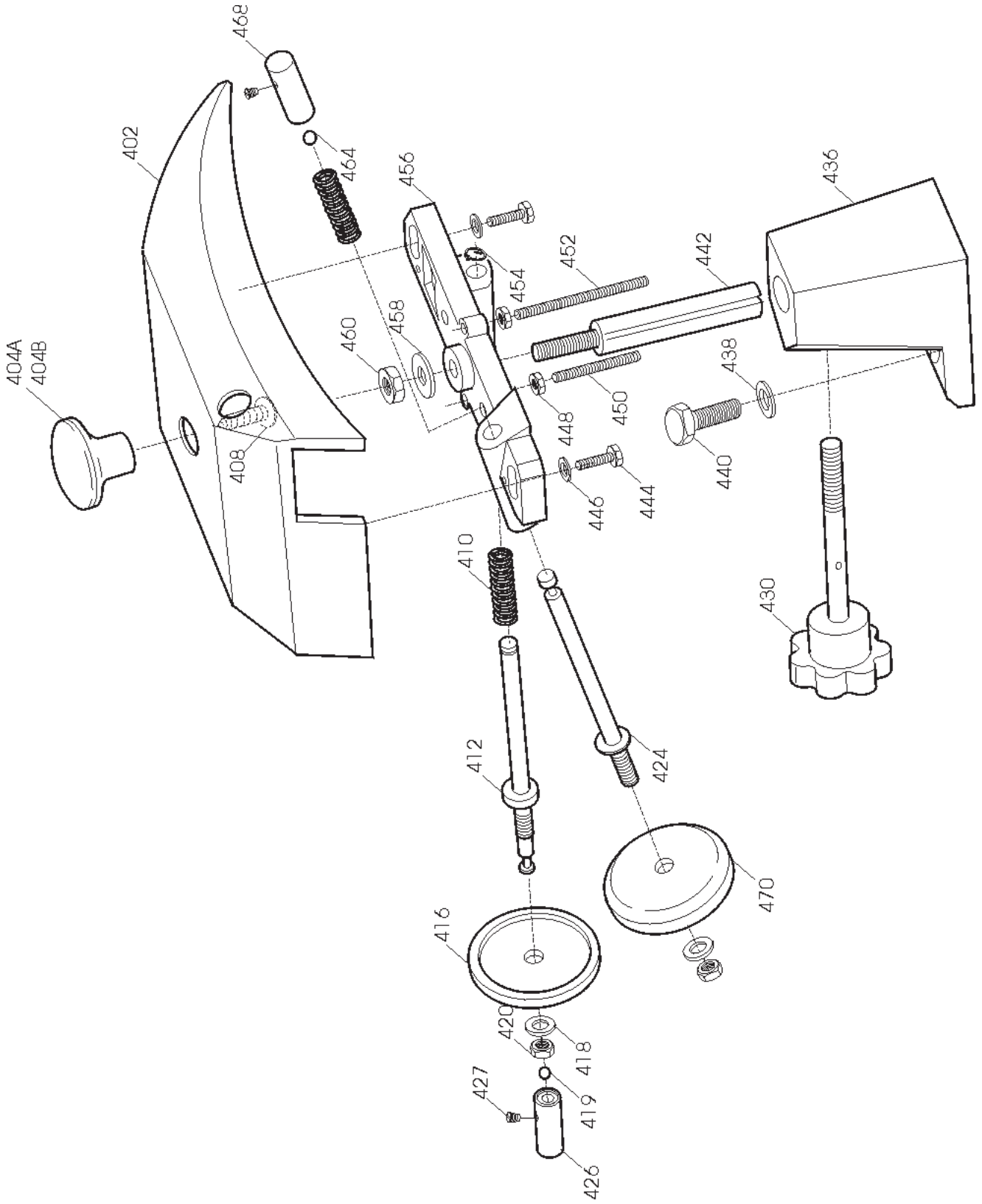
01706 353 633

WWW.FOODSERVICESPARES.COM

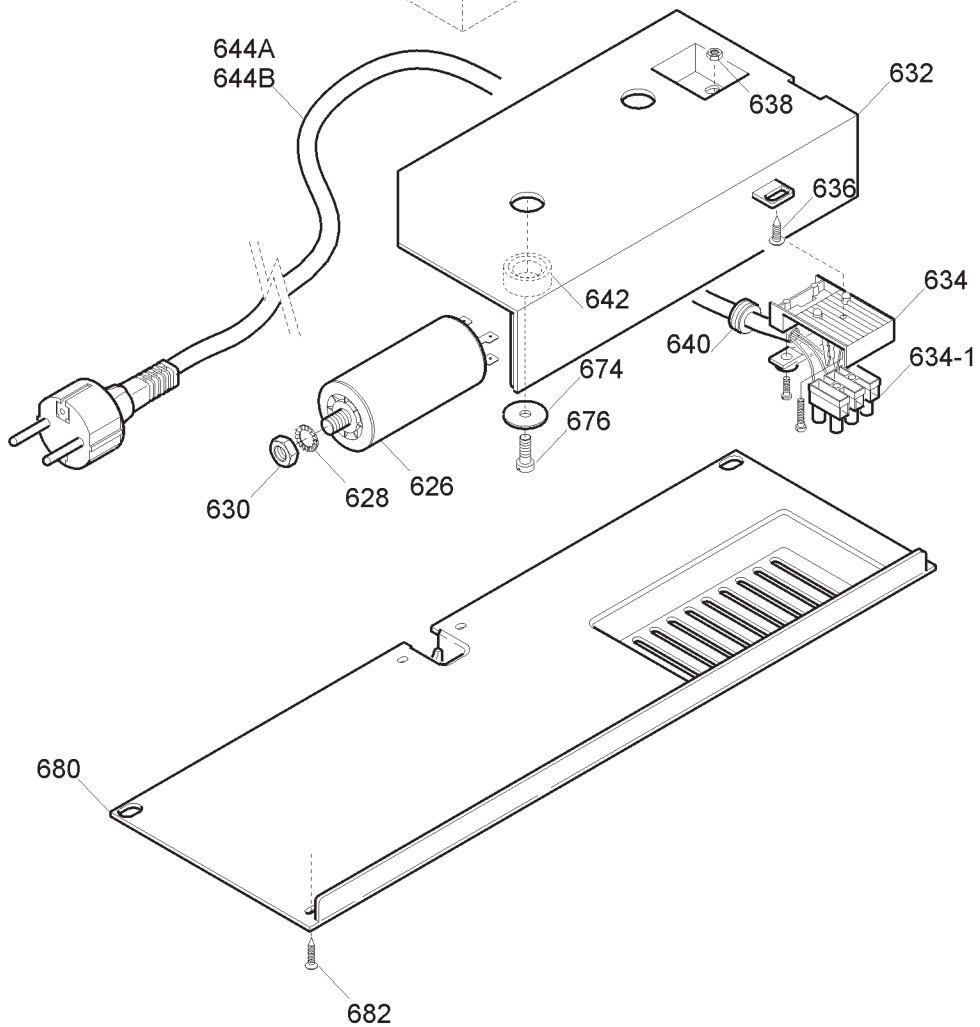
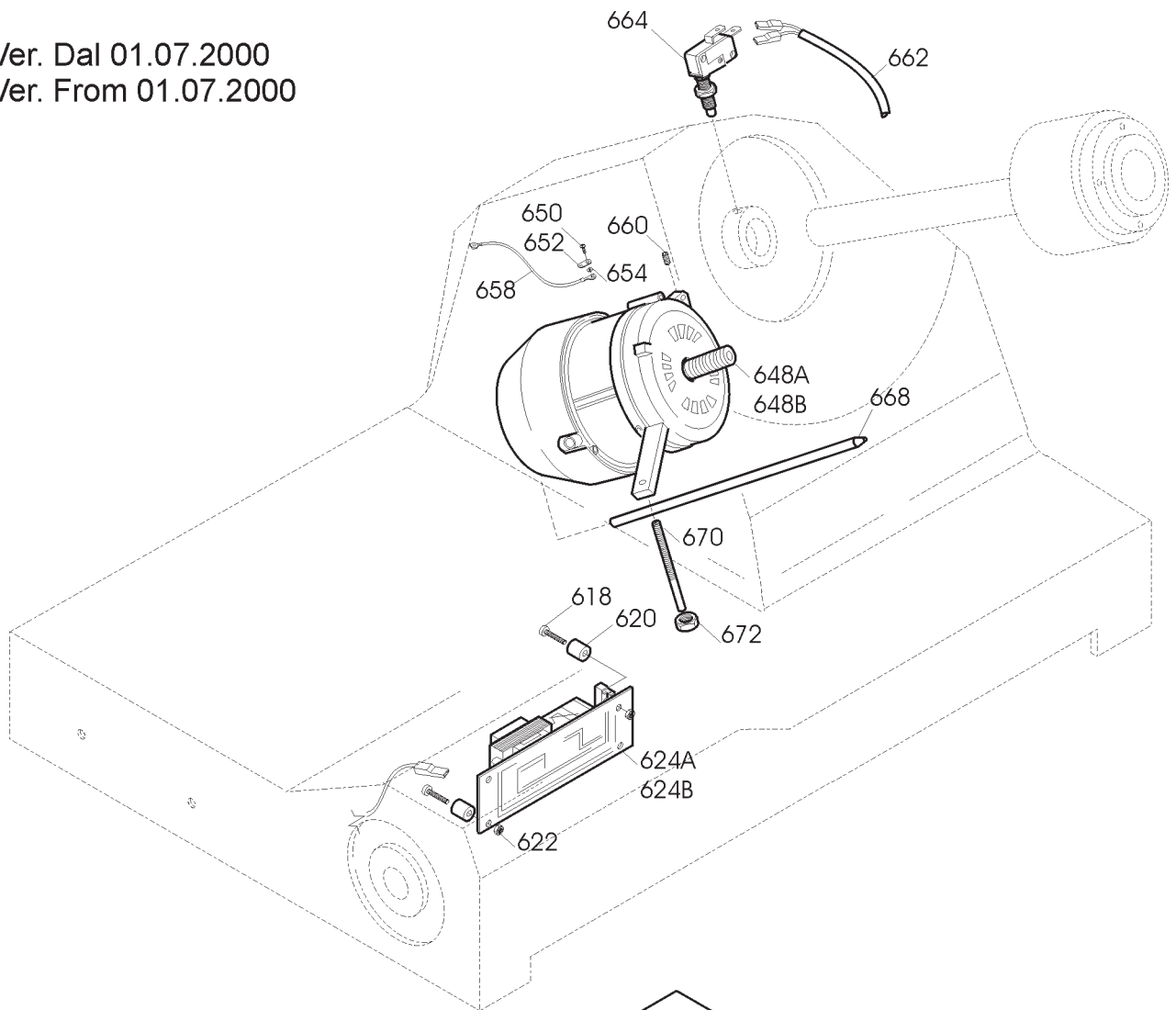


Ver. Dal 01.07.2000
Ver. From 01.07.2000

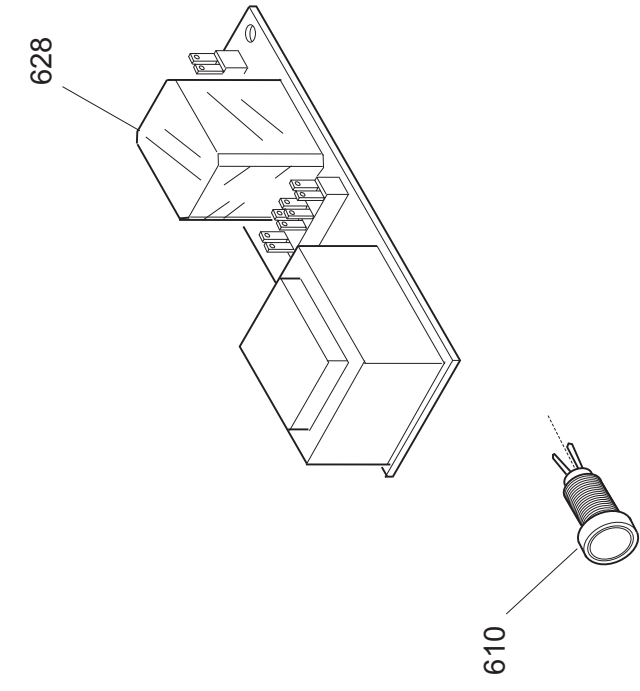
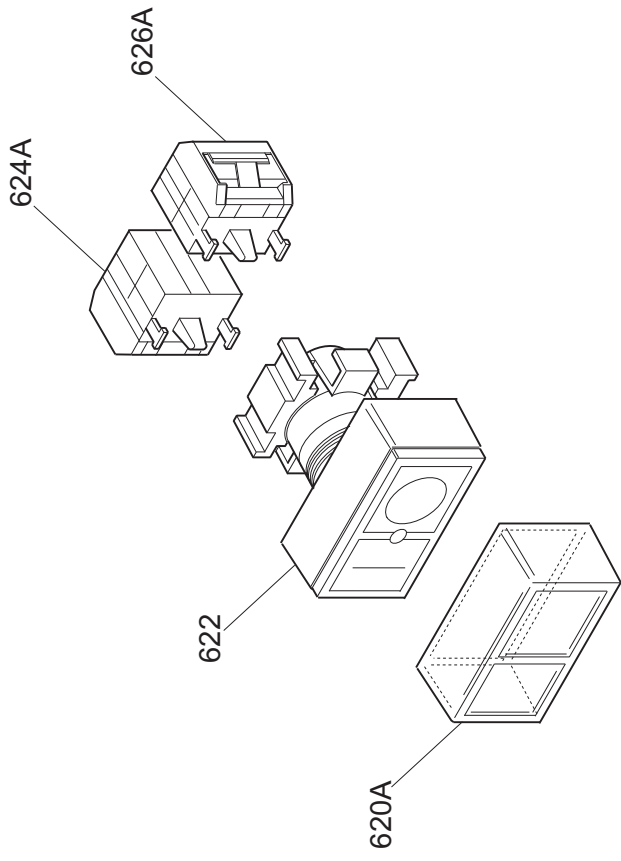




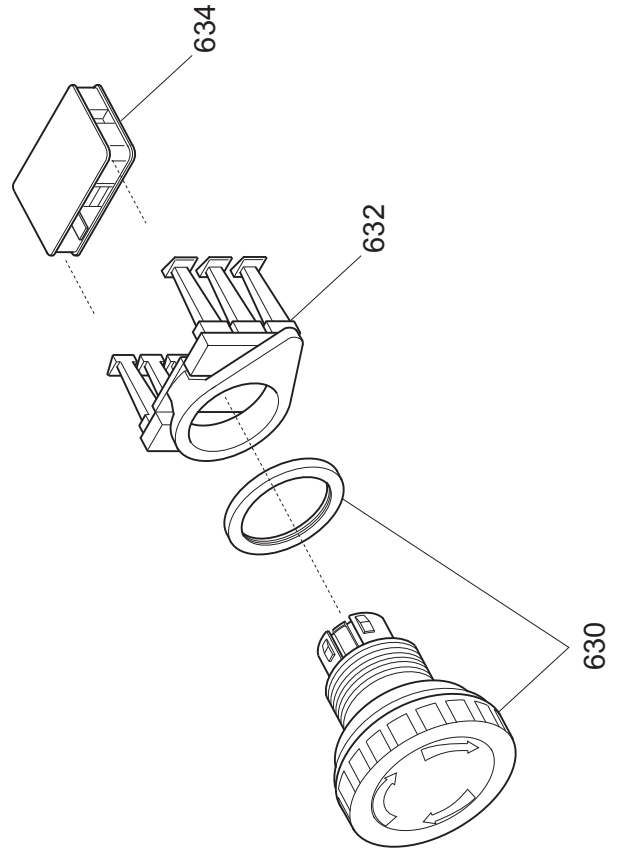
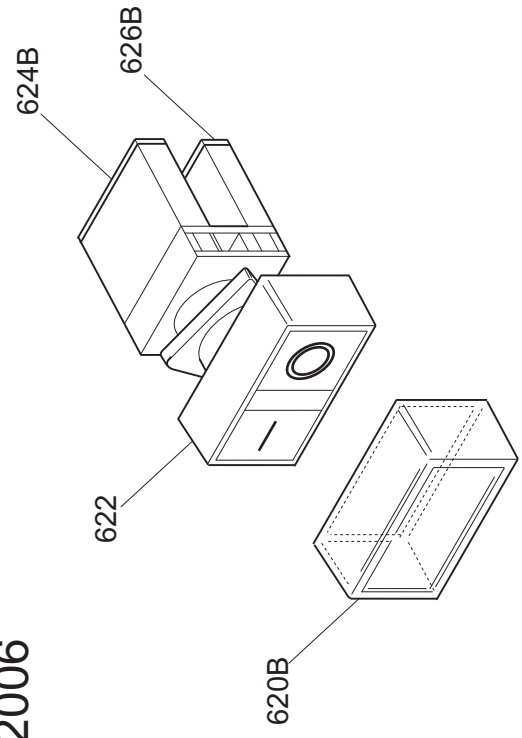
Ver. Dal 01.07.2000
Ver. From 01.07.2000



Until 2005



From 2006





FOODSERVICE EQUIPMENT SPARES LTD

UNIT 4 SANDBROOK PARK, SANDBROOK WAY, ROCHDALE, OL11 1RY

01706 353 633

SALES@FOODSERVICESPARES.COM



WWW.FOODSERVICESPARES.COM