



TECHNICAL **DIAGRAMS**

marco ®

POURING PERFECTION

UBER FONT 240214

01706 353 633

WWW.FOODSERVICESPARES.COM

UBER FONT

SERVICE MANUAL



Marco Beverage Systems Ltd.
63d Heather Road,
Sandyford Industrial Estate,
Dublin 18,
Republic of Ireland

Ireland Tel: (01) 295 2674
Ireland Fax: (01) 295 3715

UK Tel: (0207) 274 4577
UK Fax: (0207) 978 8141

CONTENTS

	PAGE
INTRODUCTION	3
STANDARD INSTRUCTION MANUAL	4
ASSEMBLY DRAWINGS	
PARTS LIST	10
SWITCH REMOVAL	11
DISPENSE HEAD REMOVAL	12

INTRODUCTION

The information provided in this manual is intended to assist in the installation and maintenance of the Marco Uber Font range. Please read the instructions carefully to prevent accidents and ensure an efficient installation.

This manual is not a substitute for any safety instructions or technical data affixed to the machine or its packaging. All information in this manual is current at the time of publication and is subject to change without notice.

Only technicians or service providers authorised by Marco should carry out installation and maintenance of these machines.

Marco accepts no responsibility for any damage or injury caused by incorrect or unreasonable installation and operation.



POURING PERFECTION

Marco Beverage Systems Ltd.

INSTRUCTIONS FOR MODEL

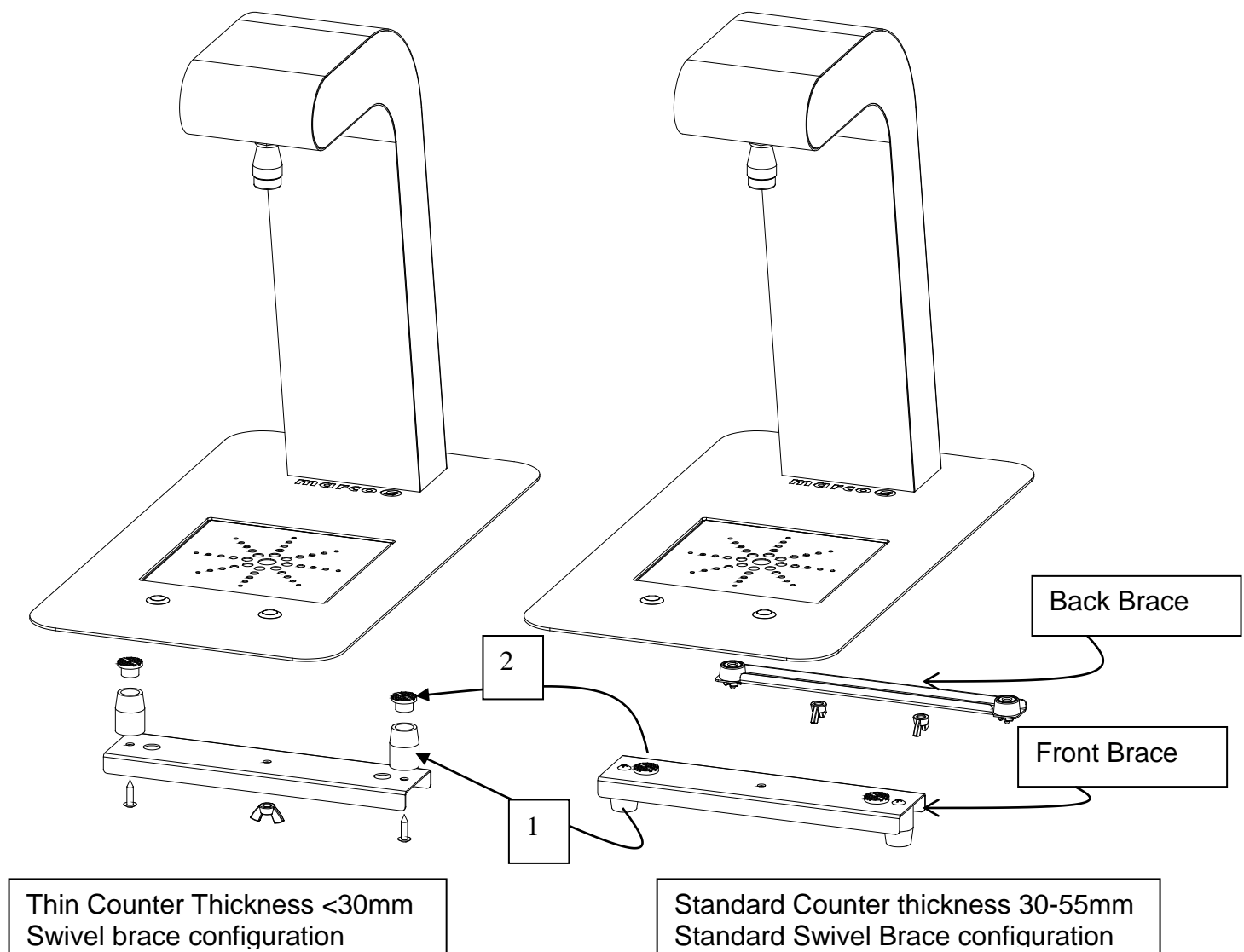
Font Uber Style

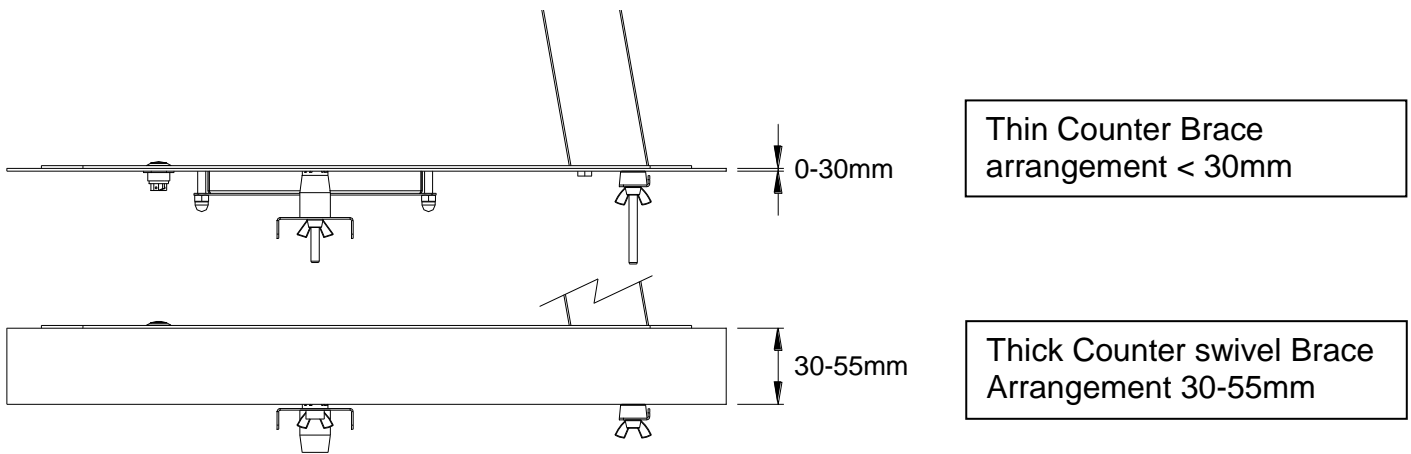
--	--

INSTALLATION:

MOUNTING:

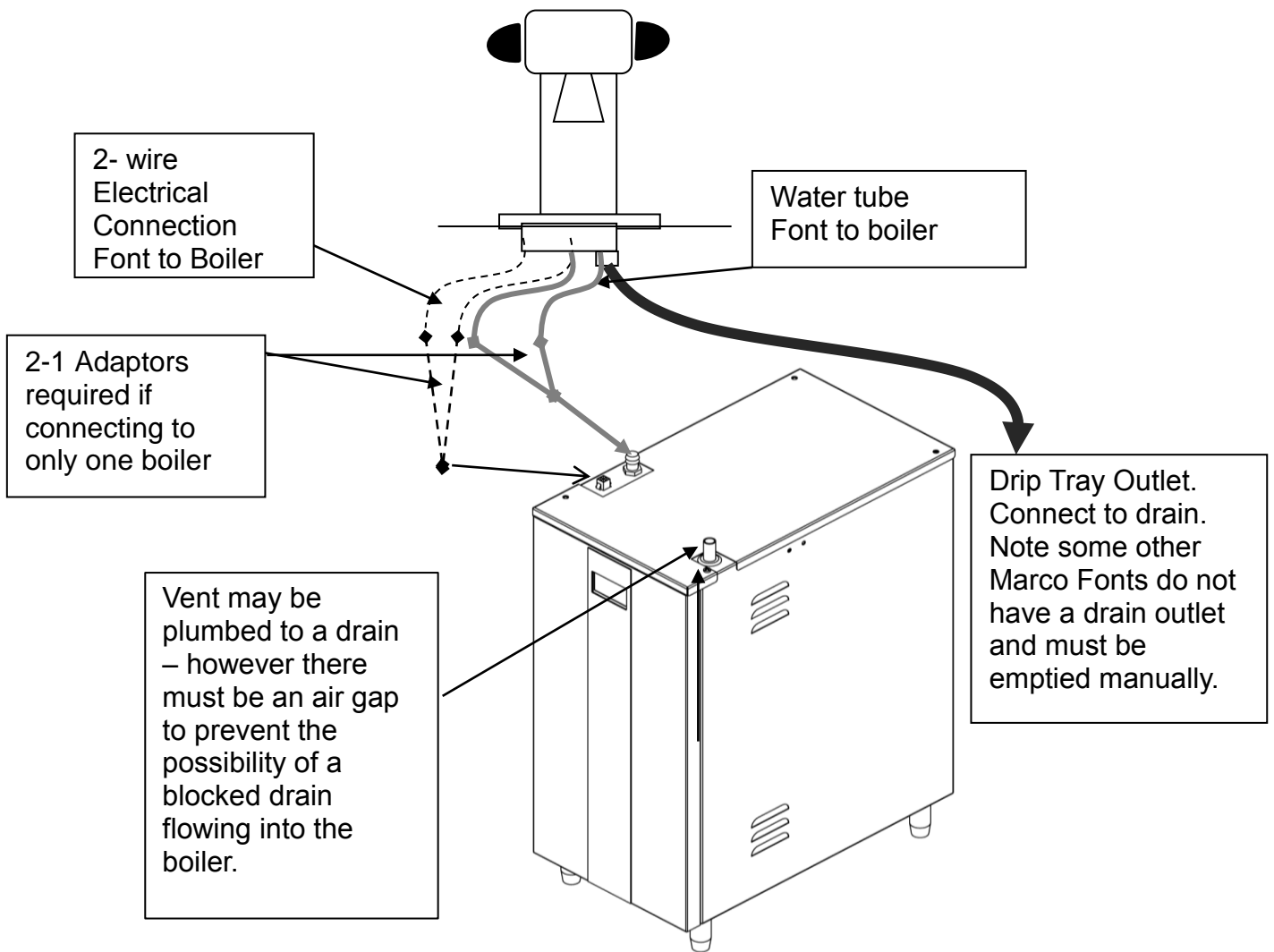
- Cutout the counter using the dimensions on drawing provided.
- Remove the single wing nut and attach the Front Brace to the underside of the drip tray as shown so that when tightened in place it firmly clamps the Font to the counter top.
- Remove both wing nuts and attach the Back Brace in the position shown when the font is in the counter.
- The 2 standard braces can accommodate counter thicknesses up to 55mm. Where the counter thickness is less than 30mm the hard plastic legs on the Front Brace must be removed and reattached to the other side of the brace using a screwdriver. The rubber inserts in the brace should be removed and repositioned in the plastic legs as shown below.
- Ensure that the Front Brace folded edges are pointing away from the drip tray so as to avoid contact with the electrical wires.
- Ensure the Back Brace is positioned as shown so it does not interfere with the hosing & wires coming out of the font head.
- For added stability a bead of silicone sealant may be applied to the underside of the tile around the perimeter.





PLUMBING:

- The Font has a grey hose which can be attached to the boiler's vent outlet (secured with the supplied F clip). This allows steam & condensate to be directed into the font drip tray. This hose must have a constant rise with no sags or kinks which would allow an airlock to form in the line which would effect the boilers performance. The hose should be trimmed to size.
- The Font is supplied with 1 or 2 semi transparent Font water tubes so that it can be connected to 1 or 2 boilers. The Y piece can be removed if connecting to 2 machines. If connecting to 1 machine the Y piece should be used to direct water up both silicone tubes (see diagram below). Use a cable tie to secure the Y piece to the tank outlet. Hoses & insulation can be trimmed down to reduce heat loss, ensure there are no kinks in the tubes.
- If connecting to only 1 boiler unit then the 2-1 wiring adaptor kits must be used (see diagram below).
- The Font has a drip tray attached with a drain outlet which may be plumbed.



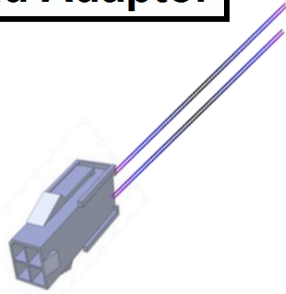
1501185 - Y-Lead Adaptor

ELECTRICAL:

- The wires from the font are terminated in a Mini Fit connector which will plug into a similar Mini Fit connector mounted on the top lid of the undercounter boiler. Applies to Boiler part numbers 1000740 – 1000755 including numbers containing suffixes.

Note: when connected to a Marco undercounter boiler the electrical connections are not polarity sensitive. If a non-Marco Font or Boiler is being used contact your representative to ensure that the electrical connections are appropriate.

1501185 - Y-Lead Adaptor



2 -1 Adaptors
required
If connecting
to
only 1 boiler

USING THE FONT:

The font is simply activated by pressing the switch on the unit. The font will either dispense a set amount of liquid after a single press, or, need to be pressed continuously to dispense the required amount of liquid.

The dispense functionality is determined by the electronics in the undercounter boiler and is not changeable at the font. When the 2-1 adaptor connectors are used – either button will operate the same dispense function.

CLEANING:

The exterior of these fonts may be cleaned with a damp cloth and a light detergent. Do not use abrasive cloths or creams, as this will spoil the finish of the font. Do not use a water jet or spray. Beware of accidentally operating the font when cleaning the front of the machine.

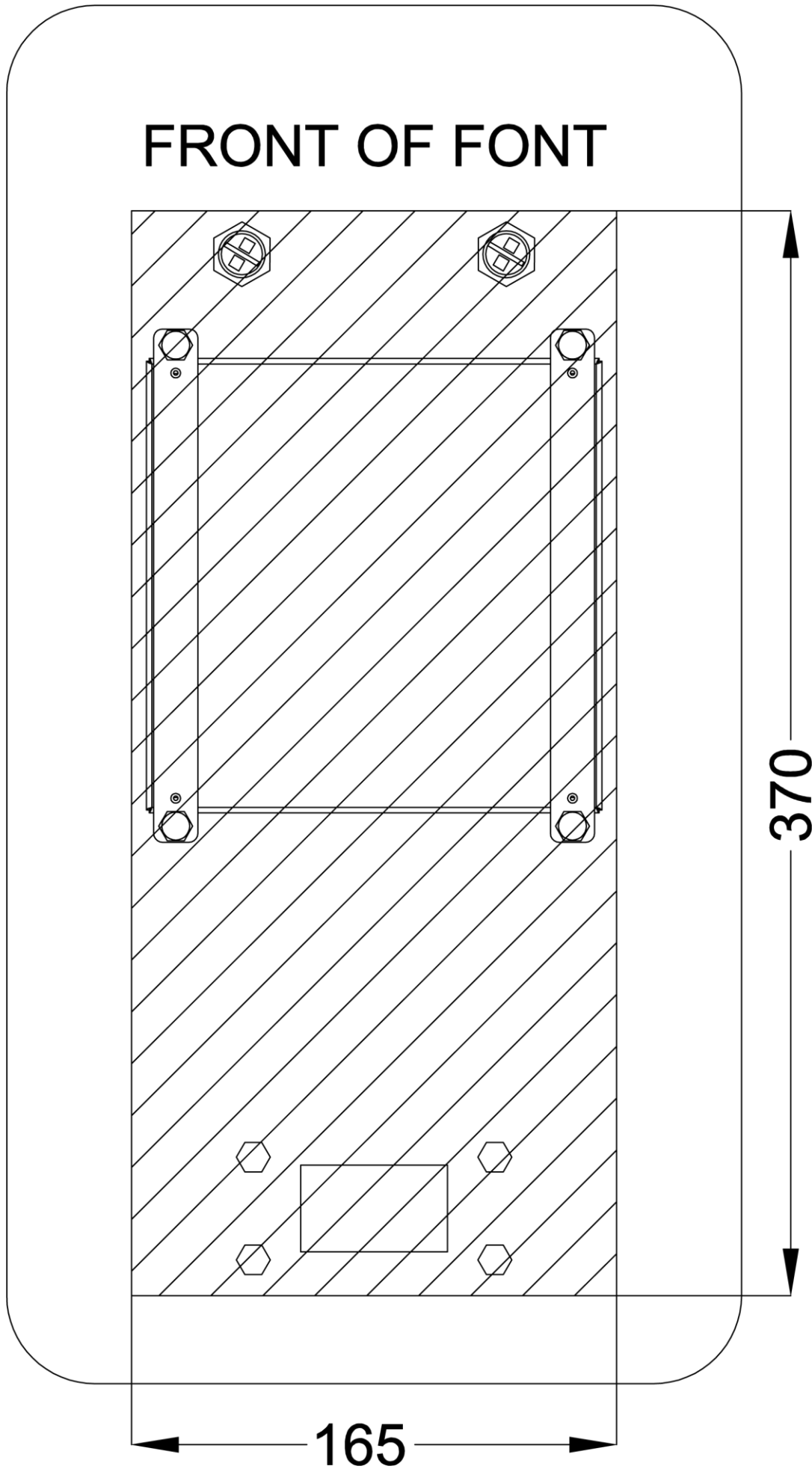
RISK OF SCALDING:

Beware of accidentally operating the font –especially when cleaning the front of the boiler.

The utmost care has been taken in the manufacture and testing of this unit. Failure to install, maintain and/or operate this font according to the manufacturer's instructions may result in conditions that can cause bodily injury or damage to property. If in doubt about the serviceability of the font always contact the manufacturer or your own supplier for advice.

DRILLING/CUTOUT TEMPLATE

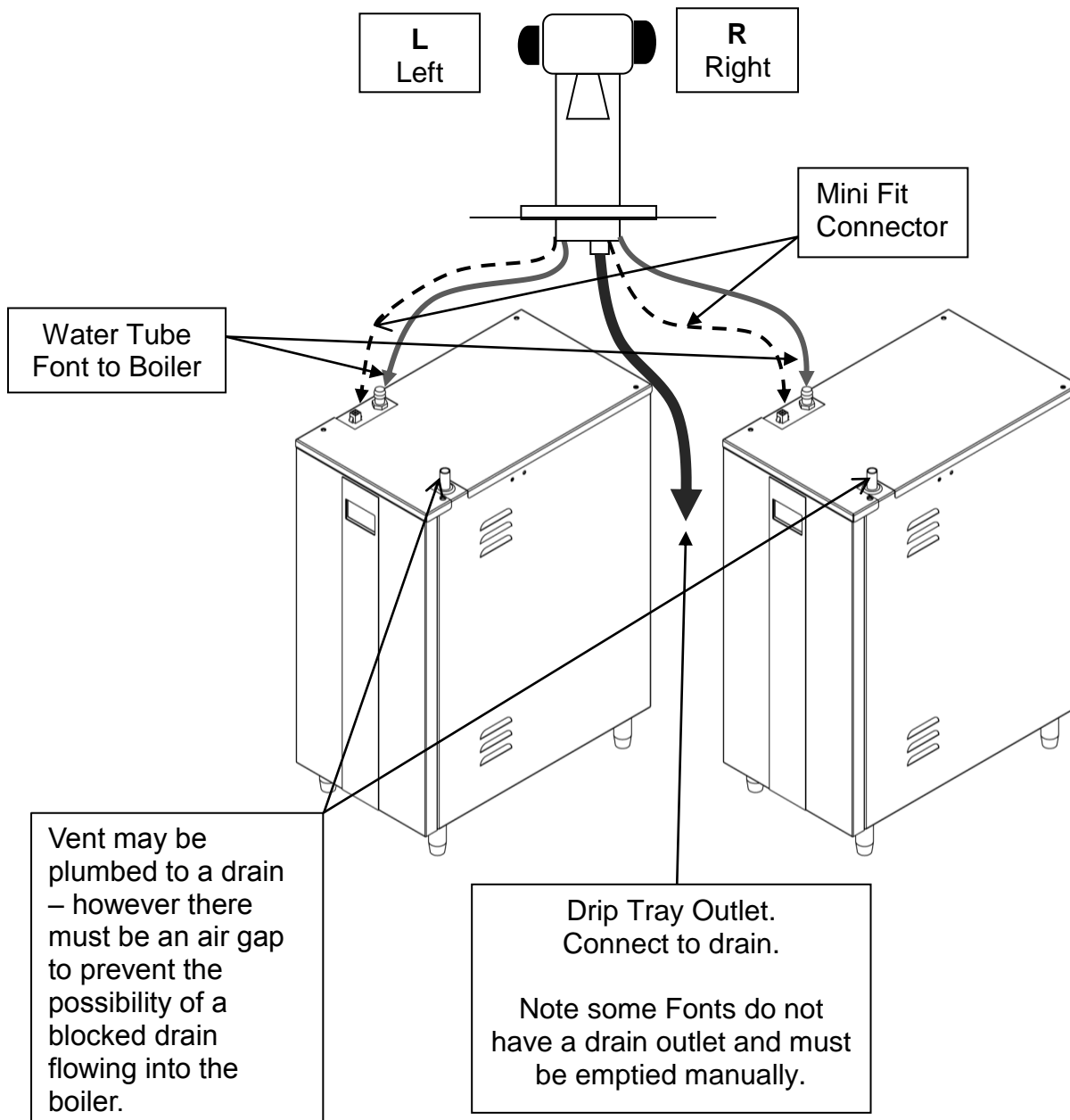
FRONT OF FONT



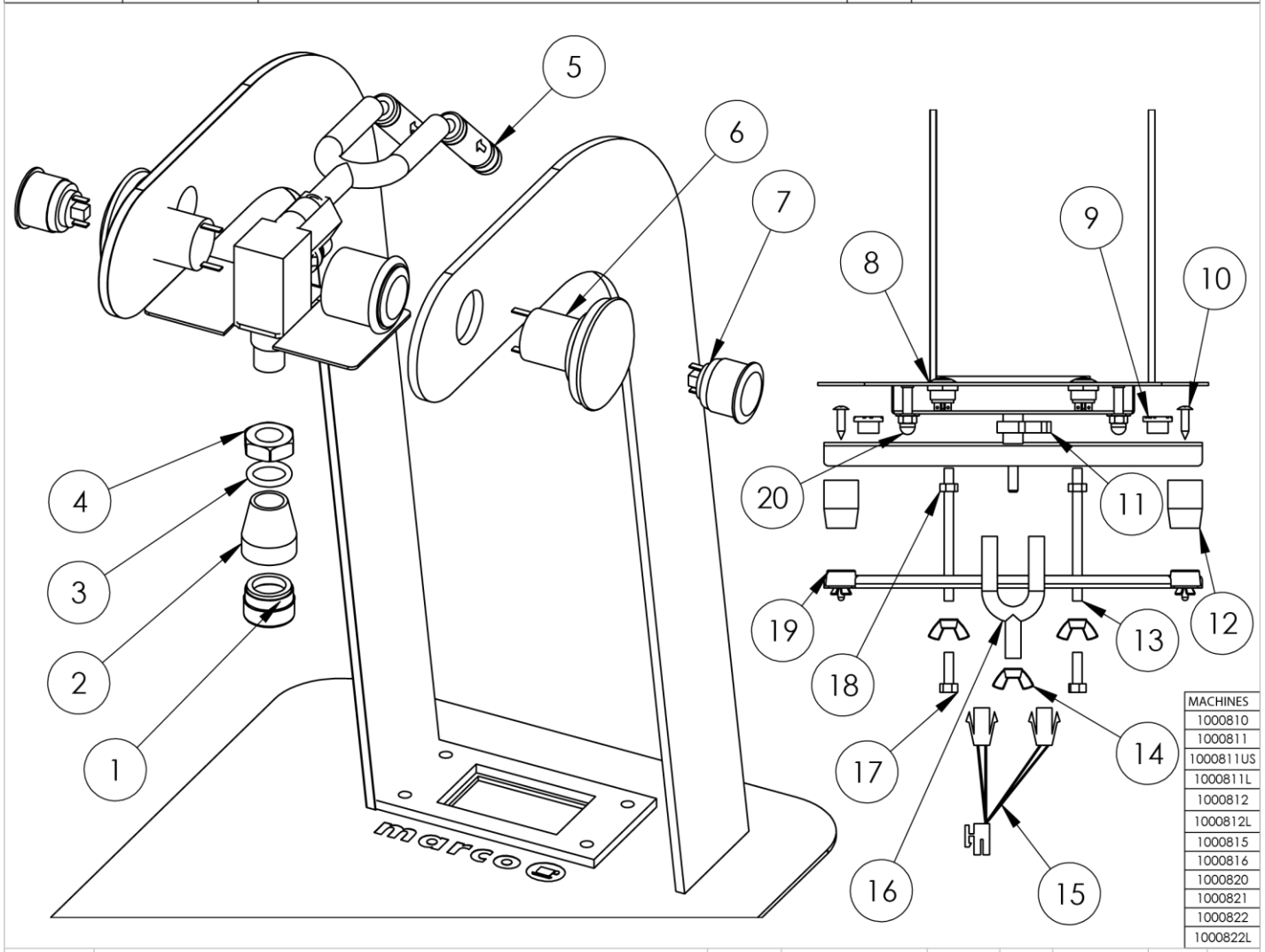
CONNECTING 2 BOILERS:

The Font has a grey hose which can be attached to the 2 boiler vent outlets. An additional T-piece with 2 grey hoses is supplied to connect the 2 boilers to the main vent hose on the font (secured with the supplied F clips). This allows steam & condensate to be directed into the font drip tray. These hoses must have a constant rise with no sags or kinks which would allow an airlock to form in the line which would effect the boilers performance. The hoses should be trimmed to size to stop sags.

2 boilers can be connected to a single font which can be set to different temperatures and/or dispense times. The 2 buttons on the Font can be assigned to each boiler. Below is a typical connection set up for this arrangement. You have to remove the hose Y piece and electrical adaptor on the font tubing & wiring. The font hoses & wires are marked L & R where they exit the font and correspond to the left & right buttons as shown below.

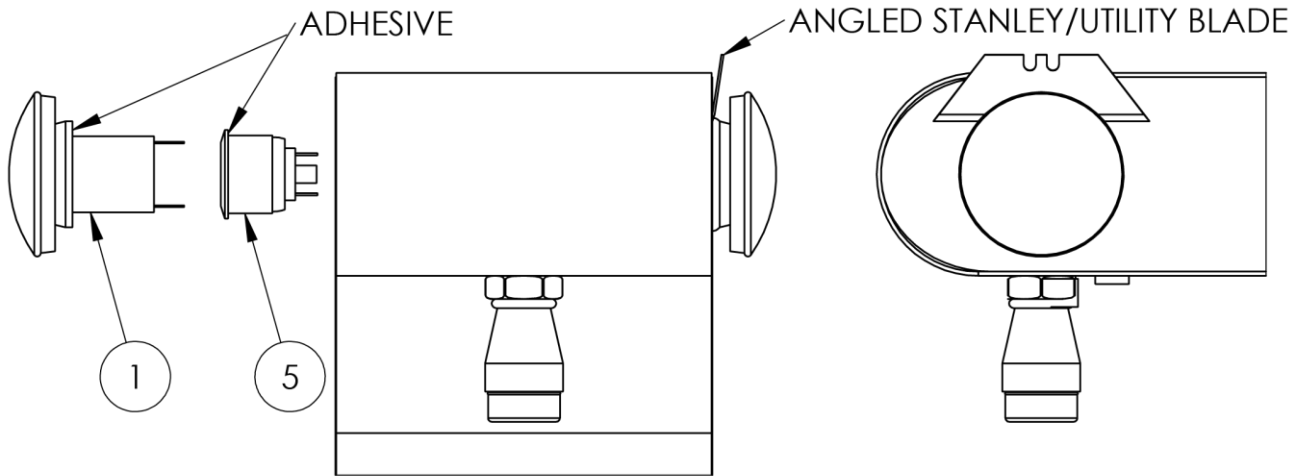


ITEM NO.	PART NUMBER	DESCRIPTION	QTY	MACHINE
1	2100010	AERATOR TOMLINSON M205Za	1	ALL
2	1400090	ADAPTOR AERATOR	1	ALL
3	1800760	O RING FOR SIGHTGLASS	1	ALL
4	1401005	LOCKNUT 1/4" B.S.P. BRASS CHROMED	1	ALL
5	1402286	Valve Non-return - Vivreau	2	1000811, 811US, 811L, 816, 821
6	1501901	Switch Palm Domed Momentary Black	2	1000820, 821, 822, 822L
7	1501221	Push button 2 pin 22mm	2	1000815, 816
8	1501218	Push Button Metal Domed 16mm DIA	2	1000810, 811, 811US, 811L, 812, 812L
9	1800193	FEET RUBBER INSERT ECOBOILER	2	ALL
10	1401725	Screw Aquacooler	2	ALL
11	1800540	Clip Hose Plastic 18.2mm Type F	1	ALL
12	1800192	FEET NYLON ECOBOILER	2	ALL
13	1200148	Rod M6 Threaded 85mm SS	2	ALL
14	1401279	NUT M6 S/S WING	3	ALL
15	1501185	Adaptor Mini Fit 2 Plug to 1 Recept	1	1000811, 811US, 811L, 812, 812L, 816, 821, 822, 822L
16	1402202	Y Piece Fitting	2	1000811, 811US, 811L, 812, 812L, 816, 821
17	1400360	Bolt M6 X 20mm Zinc Plated	2	ALL
18	1401280	NUT M6 S/S	2	ALL
19	1800225	FEET SOFT 10mm INCUP	2	ALL
20	1401320	Nut M6 Domed S/S	4	ALL



DESCRIPTION: PARTS LIST	DWG NO.: UBFT-030A-f	DRAWN BY: PJT	07-09-12	C.O. 136
-------------------------	----------------------	---------------	----------	----------

ITEM NO.	PART NUMBER	DESCRIPTION	QTY	MACHINE
1	1501901	Switch Palm Domed Momentary Black	2	1000820, 1000821, 1000822, 1000822L
2	1501218	Push Button Metal Domed 16mm DIA	2	1000810, 811, 811US, 811L, 812, 812L
5	1501221	Push button 2 pin 22mm	2	1000815, 1000816



Both types of switches in the head of the font are fixed in place with adhesive. To remove them you must break this seal.

This is best done by wedging a stanley/utility blade in between the switch and font side until there is a visible gap, the blade will require a gentle tapping downwards with a blunt object. Then insert a flat head screwdriver into the gap and lever the switch out. (Do not lever out with the stanley blade as they are brittle and may snap)

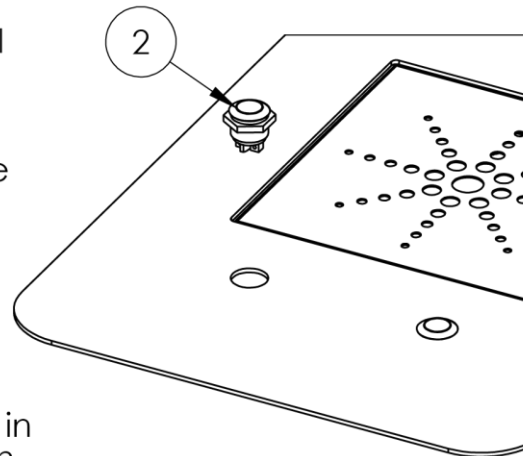
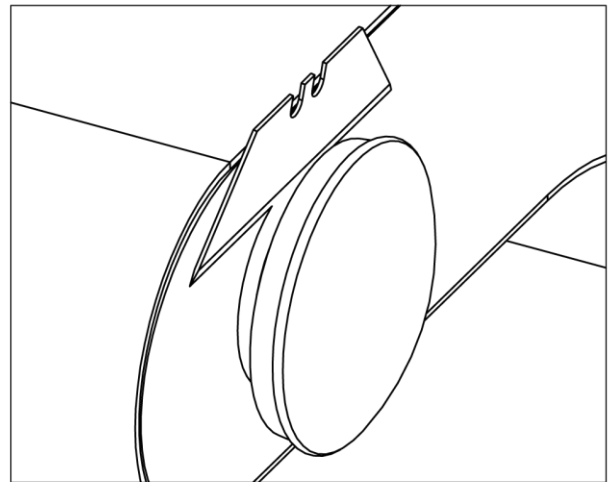
New switches require resoldering to the wires and should have new heat shrink applied or be wrapped in suitable electrical insulation tape to prevent them contacting the metal plumbing inside.

The switches in the head may come with 4 solder connections, the outer tabs are to be used (normally open operation). The others may be snipped off.

The switches must be glued back in place around their bezel with a suitable adhesive such as epoxy putty or epoxy resins.

The buttons on the lower tile/plate are held in place with a nut and the wires are fixed with screw terminals.

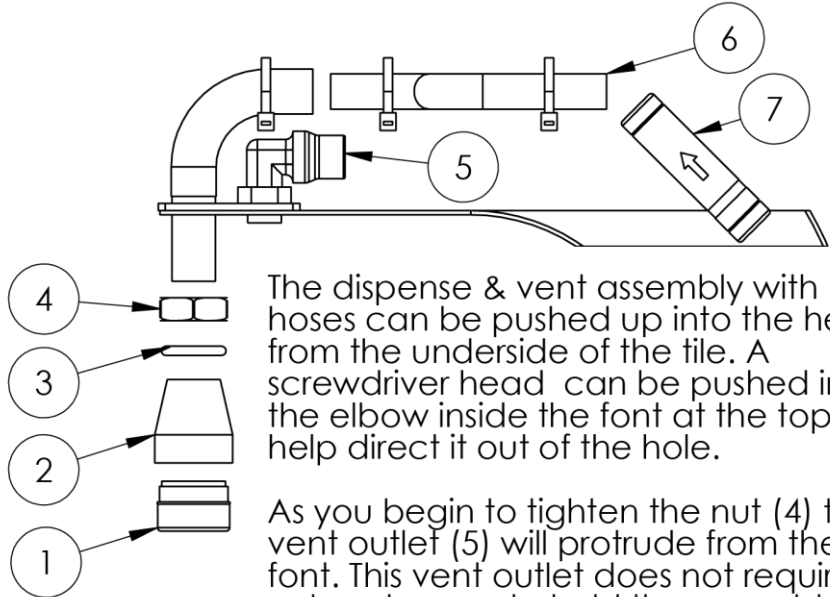
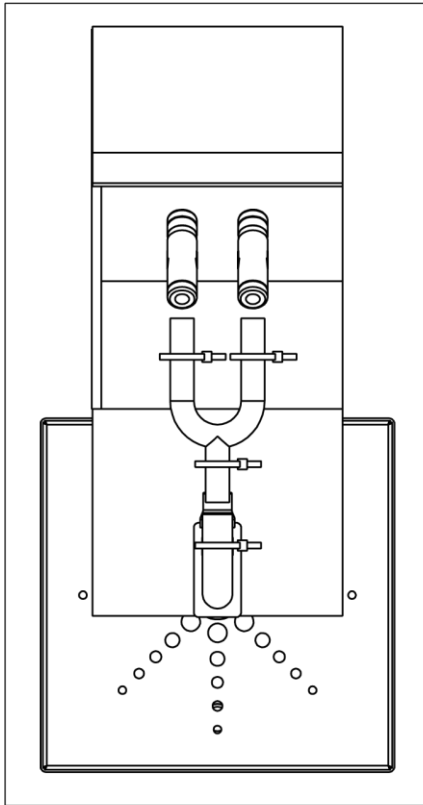
The switches are all low voltage and are not polarity sensitive.



MACHINES
1000810
1000811
1000811US
1000811L
1000812
1000812L
1000815
1000816
1000820
1000821
1000822
1000822L

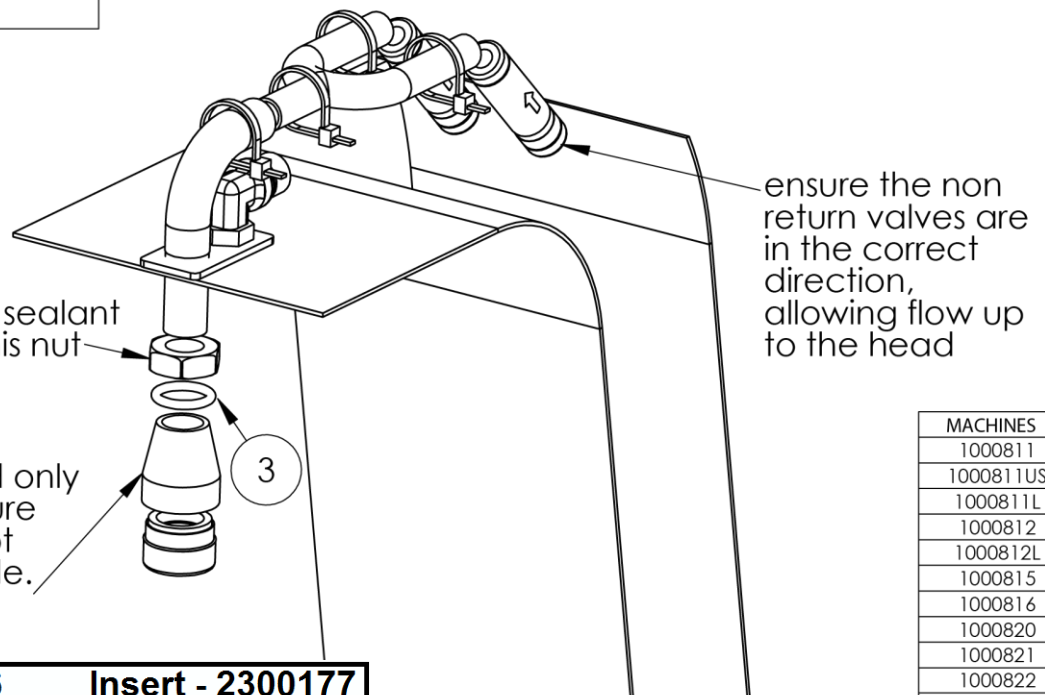
DESCRIPTION: SWITCH REMOVAL	DWG NO.: UBFT-031A-f	DRAWN BY: PJT	05-09-12	C.O. 136
-----------------------------	----------------------	---------------	----------	----------

ITEM NO.	PART NUMBER	DESCRIPTION	QTY	MACHINE
1	2100010	AERATOR TOMLINSON M205Za	1	ALL
2	1400090	ADAPTOR AERATOR	1	ALL
3	1800760	O RING FOR SIGHTGLASS	1	ALL
4	1401005	LOCKNUT 1/4" B.S.P. BRASS CHROMED	1	ALL
5	1400731	Screwing	1	ALL
6	1402202	Y Piece Fitting	1	1000811, 811US, 811L, 812, 812L, 816, 821
7	1402286	Valve Non-return - Vivreau	2	1000811, 811US, 811L, 812, 812L, 816, 821



The dispense & vent assembly with hoses can be pushed up into the head from the underside of the tile. A screwdriver head can be pushed into the elbow inside the font at the top to help direct it out of the hole.

As you begin to tighten the nut (4) the vent outlet (5) will protrude from the font. This vent outlet does not require a nut and serves to hold the assembly in the correct orientation while the nut is being tightened. Otherwise the elbow would twist inside the head and risk kinking the tubes and pushing against the switches.



Foodgrade thread sealant must be used on this nut

The adaptor should only be hand tight, ensure the O-Ring does not squeeze out the side.

ensure the non return valves are in the correct direction, allowing flow up to the head

Drip Tray - 2300176 Insert - 2300177

MACHINES
1000811
1000811US
1000811L
1000812
1000812L
1000815
1000816
1000820
1000821
1000822
1000822L



FOODSERVICE EQUIPMENT SPARES LTD

UNIT 4 SANDBROOK PARK, SANDBROOK WAY, ROCHDALE, OL11 1RY

01706 353 633

SALES@FOODSERVICESPARES.COM



WWW.FOODSERVICESPARES.COM