



TECHNICAL DIAGRAMS

**MagiKitch'n®**

24V OPTION

01706 353 633

[WWW.FOODSERVICESPARES.COM](http://WWW.FOODSERVICESPARES.COM)



**IMPORTANT FOR FUTURE REFERENCE**

Please complete this information and retain this manual for the life of the equipment:

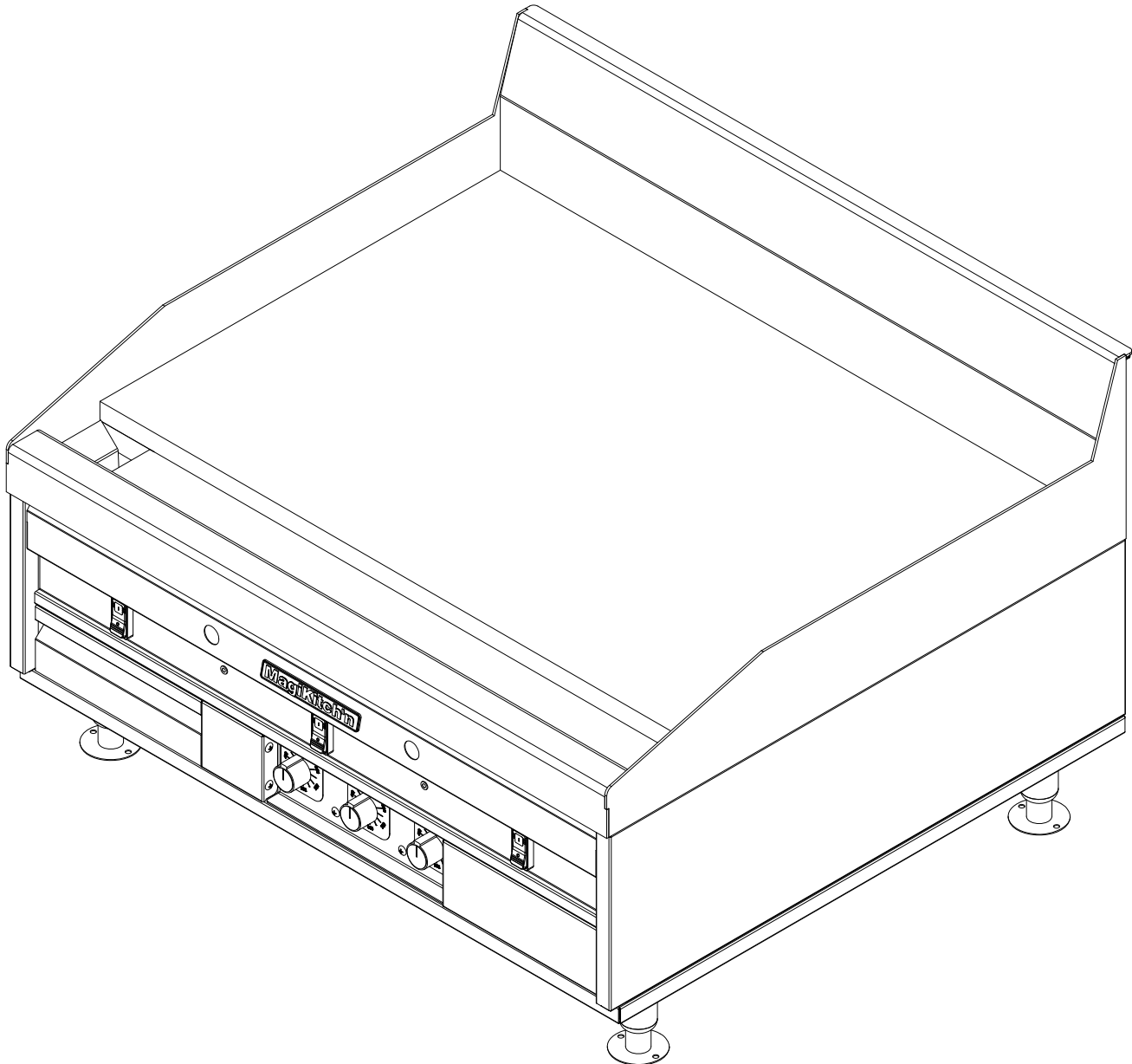
Model #: \_\_\_\_\_

Serial #: \_\_\_\_\_

Date Purchased: \_\_\_\_\_

**ENGLISH**

**Exploded Parts Manual**  
**MKG/MKH/MKGD 24,36,48,60,72**  
**All Options**  
**24 Volt Control**



**WARNING**

DO NOT store or use gasoline or other flammable vapors and liquids in the vicinity of this or any other appliance.

**WARNING**

Improper installation, alteration, service or maintenance can cause property damage, injury or death. Read the installation, operating and maintenance instructions thoroughly before installing or servicing this appliance.

**WARNING**

Installation, maintenance and repairs should be performed by a MagiKitch'n Authorized Service and Parts (ASAP) company technician or other qualified personnel. Installation, maintenance or repairs by an unauthorized and unqualified personnel will void the warranty.

**WARNING**

Installation and all connections must be made according to national and local regulations and codes in force.

**WARNING**

During the warranty period if a customer elects to use a non-original part or modifies an original part purchased from MagiKitch'n and/or its Authorized Service and Parts (ASAP) companies, this warranty will be void. In addition, MagiKitch'n and its affiliates will not be liable for any claims, damages or expenses incurred by the customer which arises directly or indirectly, in whole or in part, due to the installation of any modified part and/or received from an unauthorized service center.

**WARNING**

This appliance, when installed, must be electrically grounded in accordance with local codes, or in the absence of local codes, with the National Electrical Code, ANSI/NFPA 70, or the Canadian Electrical Code, CSA C22.2, as applicable.

**WARNING**

Adequate means must be provided to LIMIT the movement of this appliance without depending on the gas or electrical cord connection. Single appliances equipped with legs must be stabilized by installing anchor straps. All appliances equipped with casters must be stabilized by installing restraining chains.

**WARNING**

An appliance equipped with casters and a flexible gas line must be connected to the gas supply with a quick disconnect device. This quick disconnect must comply with ANSI Z24.41.

**WARNING**

DO NOT alter or remove structural material on the appliance to accommodate placement under a ventilation hood.

**WARNING**

This appliance is intended for professional use only and should be operated by fully trained and qualified personnel.

**WARNING**

If the appliance is equipped with a power cord and it is damaged, it must be replaced by a MagiKitch'n Authorized Service and Parts (ASAP) company technician, or a similarly qualified person in order to avoid a hazard.

**WARNING**

The power supply must be disconnected before servicing, maintaining or cleaning this appliance.

**WARNING**

The appliance is NOT jet stream approved. DO NOT clean the appliance with a water jet.

**WARNING**

DO NOT attempt to move this appliance or transfer hot liquids from grease box to another container when the unit is at operating temperature or filled with hot liquids. Serious personal injury could result if skin comes in contact with the hot surfaces or liquids.

**WARNING**

DO NOT sit or stand on this appliance. The appliance's front panel, cook plate, splash back, sides, workshelf is not a step. Serious injury could result from slipping, falling or contact with hot surfaces or hot liquids.

**WARNING**

NEVER use the appliance as a step for cleaning or accessing the ventilation hood. Serious injury could result from slips, trips or from contacting hot surfaces or liquids.

**WARNING**

This appliance is intended for indoor use only.

**WARNING**

DO NOT operate appliance unless all panels and access covers are attached correctly.

**WARNING**

It is recommended that this appliance be inspected by a qualified service technician for proper performance and operation on a yearly basis.

**WARNING**

There is an open flame inside this appliance. The unit may get hot enough to set nearby materials on fire. Keep the area around the appliance free from combustibles.

**WARNING**

DO NOT supply the appliance with a gas that is not indicated on the data plate. If you need to convert the appliance to another type of fuel, contact your equipment dealer or a MagiKitch'n Authorized Service and Parts (ASAP) Company.

**WARNING**

DO NOT use an open flame to check for gas leaks!

**WARNING**

If gas flow to appliance is interrupted, or pilots extinguish, wait 5 minutes before attempting to relight the pilot to allow any residual gas in appliance to dissipate.

**WARNING**

Ensure that the appliance can get enough air to keep the flame burning correctly. If the flame is starved for air, it can give off a dangerous carbon monoxide gas. Carbon monoxide is a clear odorless gas that can cause suffocation.

## TABLE OF CONTENTS

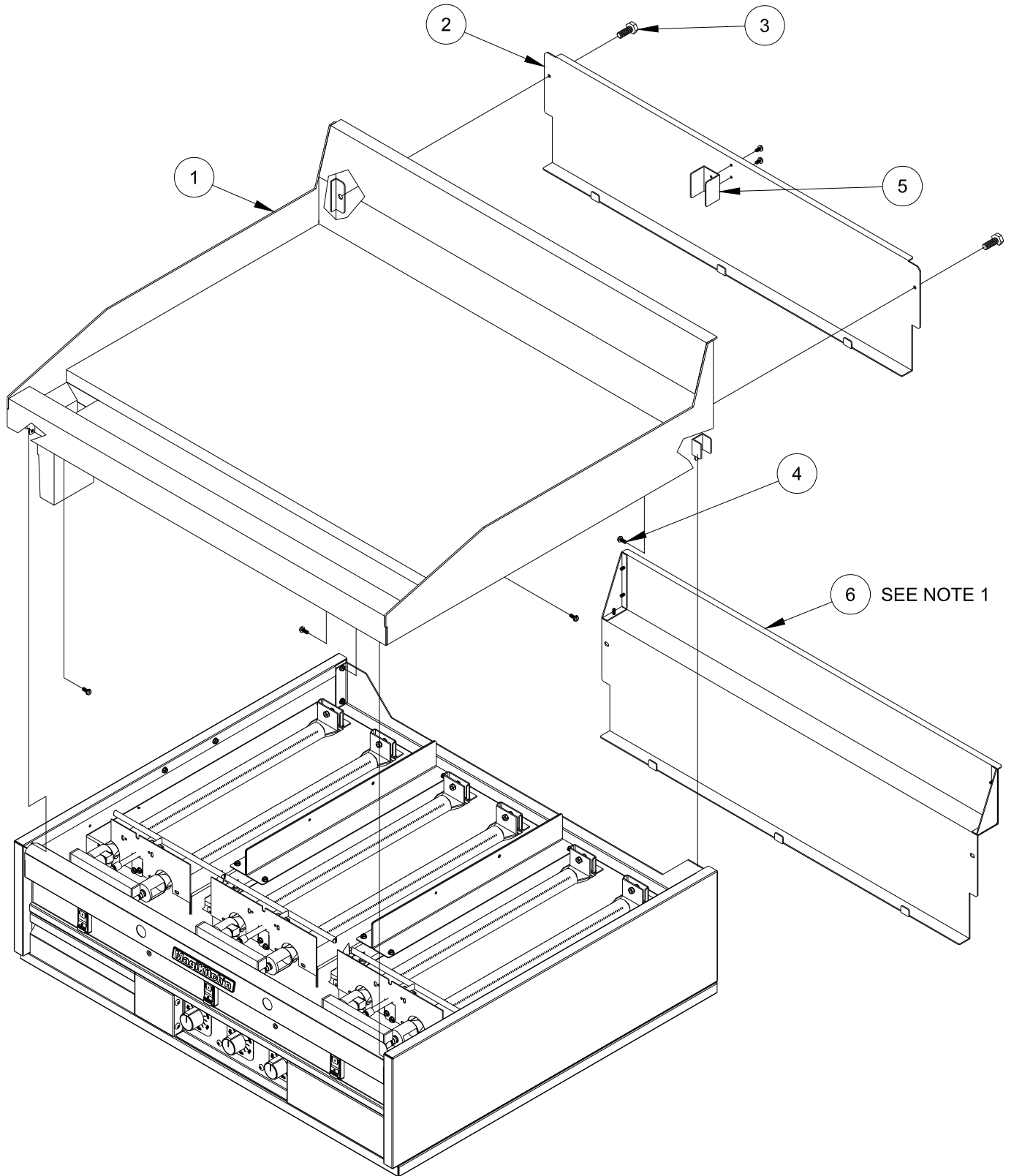
|   |           |
|---|-----------|
| <b>A) GRIDDLE ASSEMBLY .....</b>  | <b>5</b>  |
| GRIDDLE ASSEMBLY EXPLODED VIEW A PARTS LIST .....                             | 5         |
| GRIDDLE ASSEMBLY EXPLODED VIEW A .....  | 6         |
| GRIDDLE ASSEMBLY EXPLODED VIEW A1 PARTS LIST .....                            | 7         |
| GRIDDLE ASSEMBLY EXPLODED VIEW A1 .....                                       | 8         |
| <b>B) CONTROLS .....</b>  | <b>9</b>  |
| SNAP ACTION WITH PIEZO IGNITION CONTROLS EXPLODED VIEW B PARTS LIST.....      | 9         |
| SNAP ACTION WITH PIEZO IGNITION CONTROLS EXPLODED VIEW B.....                 | 10        |
| MATCHLESS IGNITION CONTROLS EXPLODED VIEW B1 PARTS LIST .....                 | 11        |
| MATCHLESS IGNITION CONTROLS EXPLODED VIEW B1 .....                            | 12        |
| <b>C) CABINET .....</b>   | <b>13</b> |
| CABINET FRAME EXPLODED VIEW C PARTS LIST .....                                | 13        |
| CABINET FRAME EXPLODED VIEW C .....   | 14        |
| <b>D) GAS CONTROL PIPING .....</b>  | <b>15</b> |
| SNAP ACTION WITH PIEZO IGNITION GAS ASSEMBLY EXPLODED VIEW D PARTS LIST ..... | 15        |
| SNAP ACTION WITH PIEZO IGNITION GAS ASSEMBLY EXPLODED VIEW D.....             | 16        |
| MATCHLESS IGNITION GAS ASSEMBLY EXPLODED VIEW D1 PARTS LIST .....             | 17        |
| MATCHLESS IGNITION GAS ASSEMBLY EXPLODED VIEW D1 .....                        | 18        |
| PILOT ASSEMBLY EXPLODED VIEW D2 PARTS LIST .....                              | 19        |
| PILOT ASSEMBLY EXPLODED VIEW D2 .....   | 20        |
| <b>E) ELECTRICAL INFORMATION.....</b>   | <b>21</b> |
| SOLID STATE CONTROL SCHEMATIC VIEW E.....                                     | 21        |
| ELECTRIC THERMOSTAT SCHEMATIC VIEW E1 .....                                   | 22        |
| SINGLE POWER SWITCH ELECTRIC THERMOSTAT SCHEMATIC VIEW E2.....                | 23        |
| SINGLE POWER SWITCH SOLID STATE THERMOSTAT SCHEMATIC VIEW E3 .....            | 24        |
| SOLID STATE CONTROL TEMPERATURE PROBE RESISTANCE CHART .....                  | 25        |
| <b>F) APPENDIX A .....</b>  | <b>26</b> |
| <b>G) CHAIN SPECIFIC PARTS .....</b>  | <b>27</b> |
| CHAIN SPECIFIC PARTS LIST .....   | 27        |

**A) GRIDDLE ASSEMBLY**

## Griddle Assembly Exploded View A Parts List

| ITEM # | PART #         | PART DESCRIPTION                        |
|--------|----------------|---|
| 1      | SEE APPENDIX A | Weld Assembly, Griddle Top              |
| 2      | 5425-1531001   | Cabinet Back, Removable MKG24           |
|        | 5425-1531002   | Cabinet Back, Removable MKG36           |
|        | 5425-1531003   | Cabinet Back, Removable MKG48           |
|        | 5425-1531004   | Cabinet Back, Removable MKG60           |
|        | 5425-1531005   | Cabinet Back, Removable MKG72           |
|        | 5425-1538901   | Cabinet Back, Removable MKG24 Five Guys |
|        | 5425-1538902   | Cabinet Back, Removable MKG36 Five Guys |
|        | 5425-1538903   | Cabinet Back, Removable MKG48 Five Guys |
|        | 5425-1538904   | Cabinet Back, Removable MKG60 Five Guys |
|        | 5425-1538905   | Cabinet Back, Removable MKG72 Five Guys |
| 3      | P0020600       | Bolt, ¼-20 UNC x ½" Thread              |
| 4      | P0075400       | Screw, 10-24 x ½" Self Tap              |
| 5      | 5425-1540301   | Cabinet, Back Spacer Bracket MKG        |
| 6      | 5225-1539701   | Cabinet Back, Removable W/Flue MKG24    |
|        | 5225-1539702   | Cabinet Back, Removable W/Flue MKG36    |
|        | 5225-1539703   | Cabinet Back, Removable W/Flue MKG48    |
|        | 5225-1539704   | Cabinet Back, Removable W/Flue MKG60    |
|        | 5225-1539705   | Cabinet Back, Removable W/Flue MKG72    |

Griddle Assembly Exploded View A

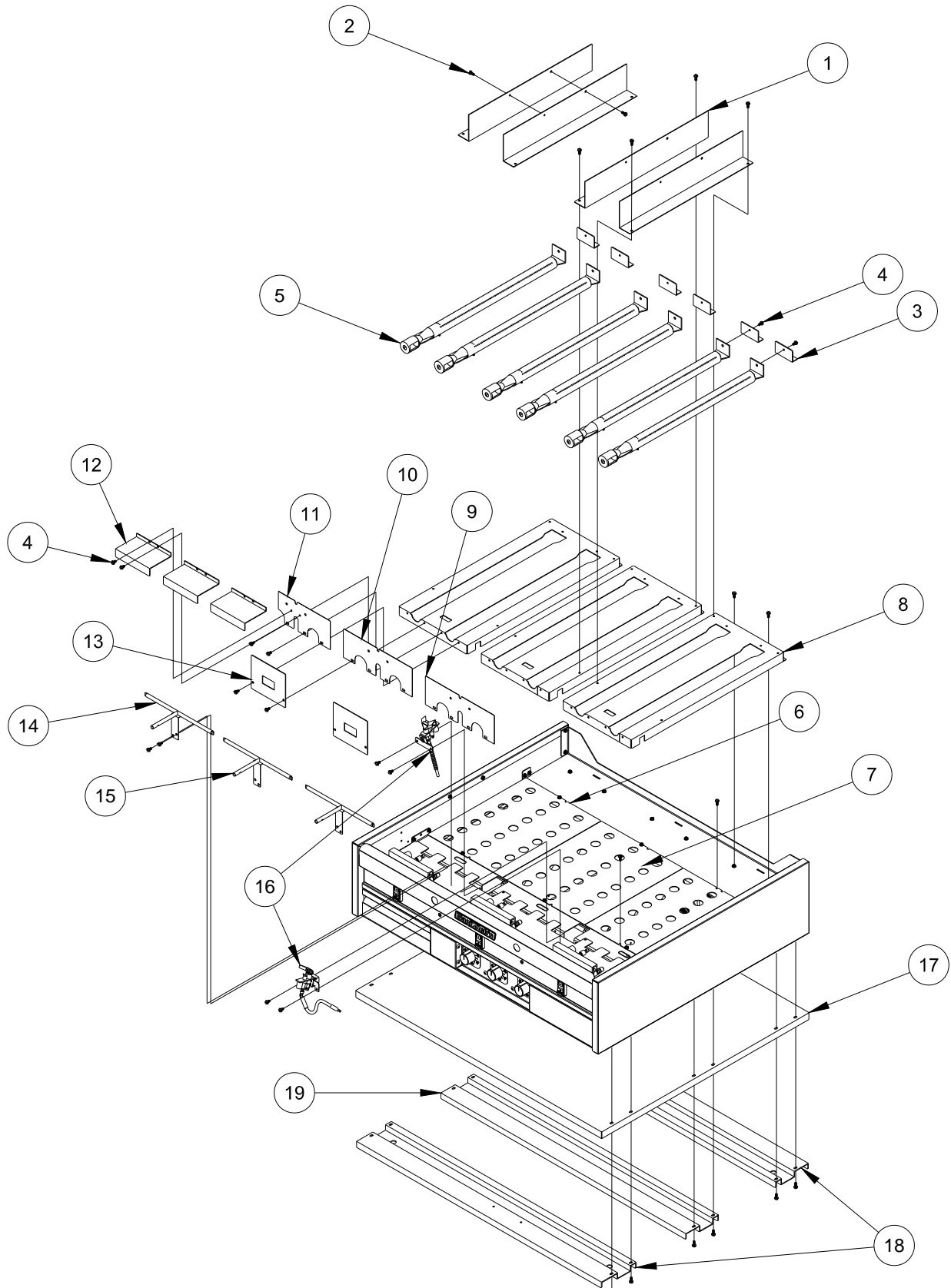


NOTE 1: Item 2 can be replaced with item 6, this allows flue to vent upwards.

## Griddle Assembly Exploded View A1 Parts List

| ITEM # | MKG<br>PART # | MKH<br>PART # | MKGD<br>PART # | PART DESCRIPTION                             |
|--------|---------------|---------------|----------------|--|
| 1      | 5425-1529301  | 5425-1529302  | 5425-1529303   | Cabinet, Burner Upright Divider              |
| 2      | P0075400      |               |                | Screw, 10-24 x 1/2" Self Tap                 |
| 3      | 5425-1531301  |               |                | Cabinet, Burner Mounting Bracket             |
| 4      | P0076100      |               | P0076100       | Screw, 10-24 x3/4" Self Tap                  |
| 5      | 60138901      |               | 60177201       | Burner, 1.25" Diameter                       |
|        | 60138902      |               | N/A            | Burner, 1.25" Diameter Reduced Port          |
| 6      | 5425-1530401  | 5425-1530405  | 5425-1562201   | Cabinet, Shelf Seal Plate Outer              |
|        | 5425-1530404  | 5425-1530408  | N/A            | Cabinet, Shelf Seal Plate Side Trough        |
| 7      | 5425-1530403  | 5425-1530407  | 5425-1562202   | Cabinet, Shelf Seal Plate Center/Inner       |
| 8      | 5425-1531201  | 5425-1531204  | 5425-1531208   | Cabinet, Burner Mounting Plate               |
|        | 5425-1531202  | 5425-1531205  | 5425-1531202   | Cabinet, Burner Mounting Plate LH Trough     |
| 9      | 5425-1530303  | 5425-1530305  | 5425-1530303   | Cabinet, Burner Seal Plate L/R Pilot         |
| 10     | 5425-1530302  | 5425-1530306  | 5425-1530302   | Cabinet, Burner Seal Plate Mid Pilot         |
| 11     | 5425-1530301  | 5425-1530307  | 5425-1530301   | Cabinet, Burner Seal Plate Mid               |
| 12     | 5425-1533201  |               |                | Burner, Manifold Retainer Bracket EI         |
| 13     | 5425-1529201  |               |                | Pilot, Cover Plate                           |
| 14     | 5125-1561901  |               |                | W/A, Runner Tube LH                          |
|        | 5125-1532801  |               |                | W/A, Runner Tube LH with Side Chute MKG      |
| 15     | 5125-1561902  |               |                | W/A, Runner Tube RH MKG                      |
| 16     | 5225-1521801  | 5225-1559501  | 5225-1521801   | C/A, Pilot Assy. Nat with Matchless Ignition |
|        | 5225-1521804  | 5225-1559502  | 5225-1521804   | C/A, Pilot Assy. LP with Matchless Ignition  |
| 17     | 5425-1519101  |               | 5425-1562001   | Cabinet, Bottom Outer 24                     |
|        | 5425-1519102  |               | 5425-1562002   | Cabinet, Bottom Outer 36                     |
|        | 5425-1519103  |               | 5425-1562003   | Cabinet, Bottom Outer 48                     |
|        | 5425-1519104  |               | 5425-1562004   | Cabinet, Bottom Outer 60                     |
|        | 5425-1519105  |               | 5425-1562005   | Cabinet, Bottom Outer 72                     |
| 18     | 5125-1519201  |               |                | W/A, Cabinet Bottom Front and Rear MKG24     |
|        | 5125-1519202  |               |                | W/A, Cabinet Bottom Front and Rear MKG36     |
|        | 5125-1519203  |               |                | W/A, Cabinet Bottom Front and Rear MKG48     |
|        | 5125-1519204  |               |                | W/A, Cabinet Bottom Front and Rear MKG60     |
|        | 5125-1519205  |               |                | W/A, Cabinet Bottom Front and Rear MKG72     |
| 19     | 5425-1518801  |               |                | Cabinet, Bottom Support MKG24                |
|        | 5425-1518802  |               |                | Cabinet, Bottom Support MKG36                |
|        | 5425-1518803  |               |                | Cabinet, Bottom Support MKG48                |
|        | 5425-1518804  |               |                | Cabinet, Bottom Support MKG60                |
|        | 5425-1518805  |               |                | Cabinet, Bottom Support MKG72                |

Griddle Assembly Exploded View A1

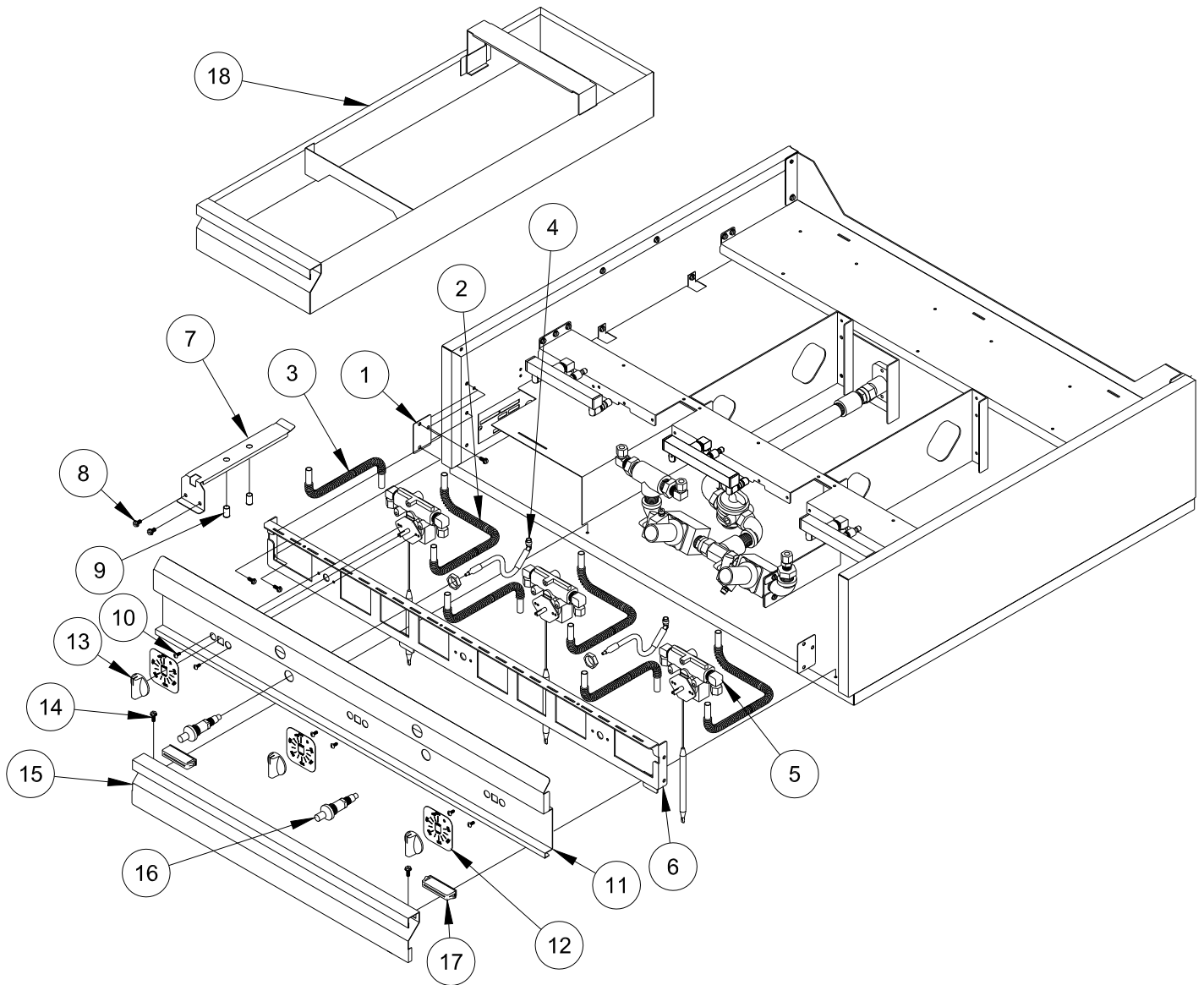


**B) CONTROLS**

## Snap Action with Piezo Ignition Controls Exploded View B Parts List

| ITEM # | PART #       | PART DESCRIPTION                            |
|--------|--------------|---|
| 1      | 5425-1522802 | Cabinet, Support Plate MKG Piezo            |
| 2      | 60119006     | Tubing, Flexible .375" OD w.o Fitting 18"   |
|        | 60119007     | Tubing, Flexible .375" OD w.o Fitting 30"   |
| 3      | 60119008     | Tubing, Flexible .375" OD w.o Fitting 8"    |
| 4      | 60141301     | Wrg, Ignition Angle X .093 Dia. Female      |
| 5      | 60138801     | Thermostat, Snap Action 200°-450°F          |
| 6      | 5425-1534601 | Cabinet, Front Support Snap Action MKG24    |
|        | 5425-1534602 | Cabinet, Front Support Snap Action MKG36    |
|        | 5425-1534603 | Cabinet, Front Support Snap Action MKG48    |
|        | 5425-1534604 | Cabinet, Front Support Snap Action MKG60    |
|        | 5425-1534605 | Cabinet, Front Support Snap Action MKG72    |
| 7      | 5425-1508701 | PG, Tstat Holder Bracket MKG                |
| 8      | P0075400     | Screw, 10-24 x ½" Self Tap                  |
| 9      | 60092102     | Nutsert, ¼-20 UNC THD                       |
| 10     | PP10687      | Screw, 6-35 x 5/16" UNC Tr HD               |
| 11     | 5425-1540111 | W/A, Front Panel Snap Action MKG24          |
|        | 5425-1540112 | W/A, Front Panel Snap Action MKG36          |
|        | 5425-1540113 | W/A, Front Panel Snap Action MKG48          |
|        | 5425-1540114 | W/A, Front Panel Snap Action MKG60          |
|        | 5425-1540115 | W/A, Front Panel Snap Action MKG72          |
| 12     | A6087301     | Label, Snap Action Thermostat               |
| 13     | PP10944      | Knob, Snap Action Thermostat                |
| 14     | PP10023      | Screw, 10-24 x 3/8" Self Tap                |
| 15     | 5225-1534901 | Door, Snap Action with Hinge MKG24          |
|        | 5225-1534902 | Door, Snap Action with Hinge MKG36          |
|        | 5225-1534903 | Door, Snap Action with Hinge MKG48          |
|        | 5225-1534904 | Door, Snap Action with Hinge MKG60          |
|        | 5225-1534905 | Door, Snap Action with Hinge MKG72          |
| 16     | 60141501     | Ignitor, Piezo with Mounting Nut            |
| 17     | P6071300     | Magnet, Door                                |
| 18     | 5125-1532401 | W/A, Grease Box 3.7 Gal.                    |
|        | 5125-1532404 | W/A, Grease Box 3.7 Gal. Rear Trough Models |
|        | 5125-1532405 | W/A, Grease Box MKGD                        |

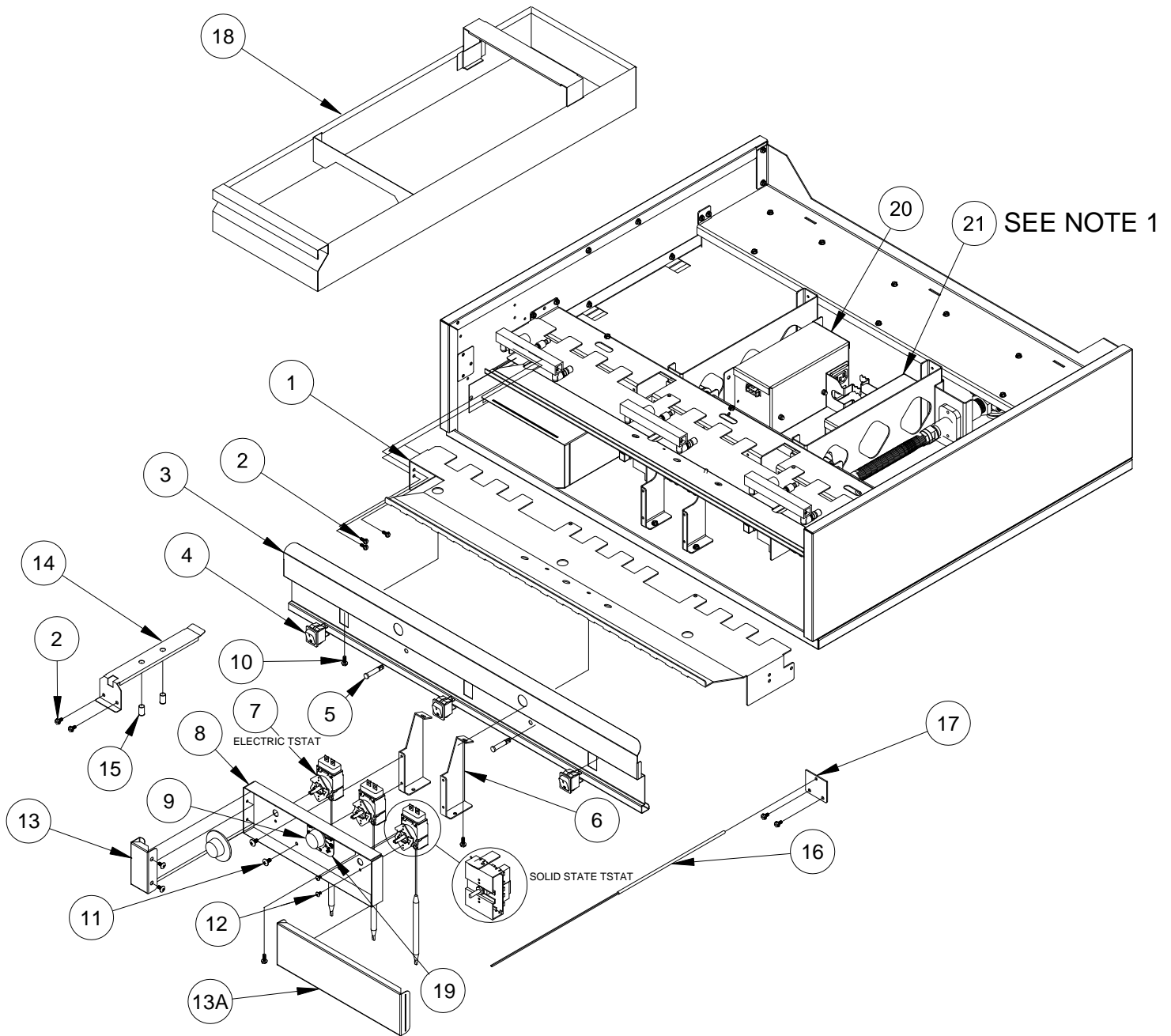
Snap Action with Piezo Ignition Controls Exploded View B



## Matchless Ignition Controls Exploded View B1 Parts List

| ITEM # | PART #       | PART DESCRIPTION                                      |
|--------|--------------|---|
| 1      | 5425-1530801 | Heat Shield, Mid MKG24                                |
|        | 5425-1530802 | Heat Shield, Mid MKG36                                |
|        | 5425-1530803 | Heat Shield, Mid MKG48                                |
|        | 5425-1530804 | Heat Shield, Mid MKG60                                |
|        | 5425-1530805 | Heat Shield, Mid MKG72                                |
| 2      | P0075400     | Screw, 10-24 x ½" Self Tap                            |
| 3      | 5425-1548614 | W/A, Front Panel Upper MKH24                          |
|        | 5425-1548615 | W/A, Front Panel Upper MKH36                          |
|        | 5425-1548616 | W/A, Front Panel Upper MKH48                          |
|        | 5425-1548617 | W/A, Front Panel Upper MKH60                          |
|        | 5425-1548618 | W/A, Front Panel Upper MKH72                          |
| 4      | 60172301     | Switch, Rocker DPDT 24VDC W/ Red Lamp                 |
| 5      | 60173101     | Lamp, Flush Bezel 24 VAC                              |
| 6      | 5425-1529601 | Bracket, Mounting Tstat Box MKG EI                    |
| 7      | 60142801     | Thermostat, 200-550°F Electric KX-458-36              |
|        | 60142502     | Control, Temp 150-550°F Solid State 24 VAC            |
| 8      | 5425-1548401 | Bracket, Thermostat Mounting Plate MKG24 EI           |
|        | 5425-1548402 | Bracket, Thermostat Mounting Plate MKG36 EI           |
|        | 5425-1548403 | Bracket, Thermostat Mounting Plate MKG48 EI           |
|        | 5425-1548404 | Bracket, Thermostat Mounting Plate MKG60 EI           |
|        | 5425-1548405 | Bracket, Thermostat Mounting Plate MKG72 EI           |
| 9      | 60129403     | Knob, ¼" Collet SSTC Thermostat                       |
| 10     | PP10023      | Screw, 10-24 x3/8" Self Tap                           |
| 11     | PP10693      | Screw, 10-24 x 3/8" Trs Hd                            |
| 12     | PP10687      | Screw, 6-32 x 5/16" Trs Hd                            |
| 13     | 5125-1549101 | Front Panel, Lower Cover MKG24 EI LH                  |
| 13A    | 5125-1549102 | Front Panel, Lower Cover MKG24 EI RH                  |
| 13     | 5125-1549103 | Front Panel, Lower Cover MKG36 EI LH                  |
| 13A    | 5125-1549104 | Front Panel, Lower Cover MKG36 EI RH                  |
| 13     | 5125-1549105 | Front Panel, Lower Cover MKG48 EI LH                  |
| 13A    | 5125-1549106 | Front Panel, Lower Cover MKG48 EI RH                  |
| 13     | 5125-1549107 | Front Panel, Lower Cover MKG60 EI LH                  |
| 13A    | 5125-1549108 | Front Panel, Lower Cover MKG60 EI RH                  |
| 13     | 5125-1549109 | Front Panel, Lower Cover MKG72 EI                     |
| 14     | 5425-1508701 | PG, Tstat Holder Bracket MKG                          |
| 15     | 60092102     | Nutset, ¼-20 UNC THD                                  |
| 16     | 60141101     | Probe, RTD 1K DIN 13" MKG                             |
| 17     | 5425-1523001 | Probe, Retainer Bracket MKG EI                        |
| 18     | 5125-1532401 | W/A, Grease Box 3.7 Gal.                              |
|        | 5125-1532404 | W/A, Grease Box 3.7 Gal. Rear Trough Models           |
|        | 5125-1532405 | W/A, Grease Box MKGD                                  |
| 19     | A6087302     | Label, SSTC Thermostat                                |
| 20     | 5225-1558901 | C/A,Entrance Box Power Supply MK* LH120V              |
| 21     | 5225-1558902 | C/A,Entrance Box Power Supply MK* RH120V              |
| 22     | B6794001     | Wrg, Dual Control Panel MKH EI, (Harness Not Shown)   |
| 23     | B6794002     | Wrg, Single Control Panel MKH EI, (Harness Not Shown) |
| 24     | B6794101     | Wrg, Dual Valve MKH EI, (Harness Not Shown)           |
| 25     | B6794102     | Wrg, Single Valve MKH EI, (Harness Not Shown)         |
| 26     | 700399-1     | Schematic, Label MKH/G EI W/ SSTC, (Not Shown)        |
|        | 700399-2     | Schematic, Label MKH/G EI W/ ESTAT, (Not Shown)       |
| 27     | 700399-3     | Schematic, Label MKH/G EI W/ SSTC CE, (Not Shown)     |
|        | 700399-4     | Schematic, Label MKH/G EI W/ ESTAT CE, (Not Shown)    |

Matchless Ignition Controls Exploded View B1



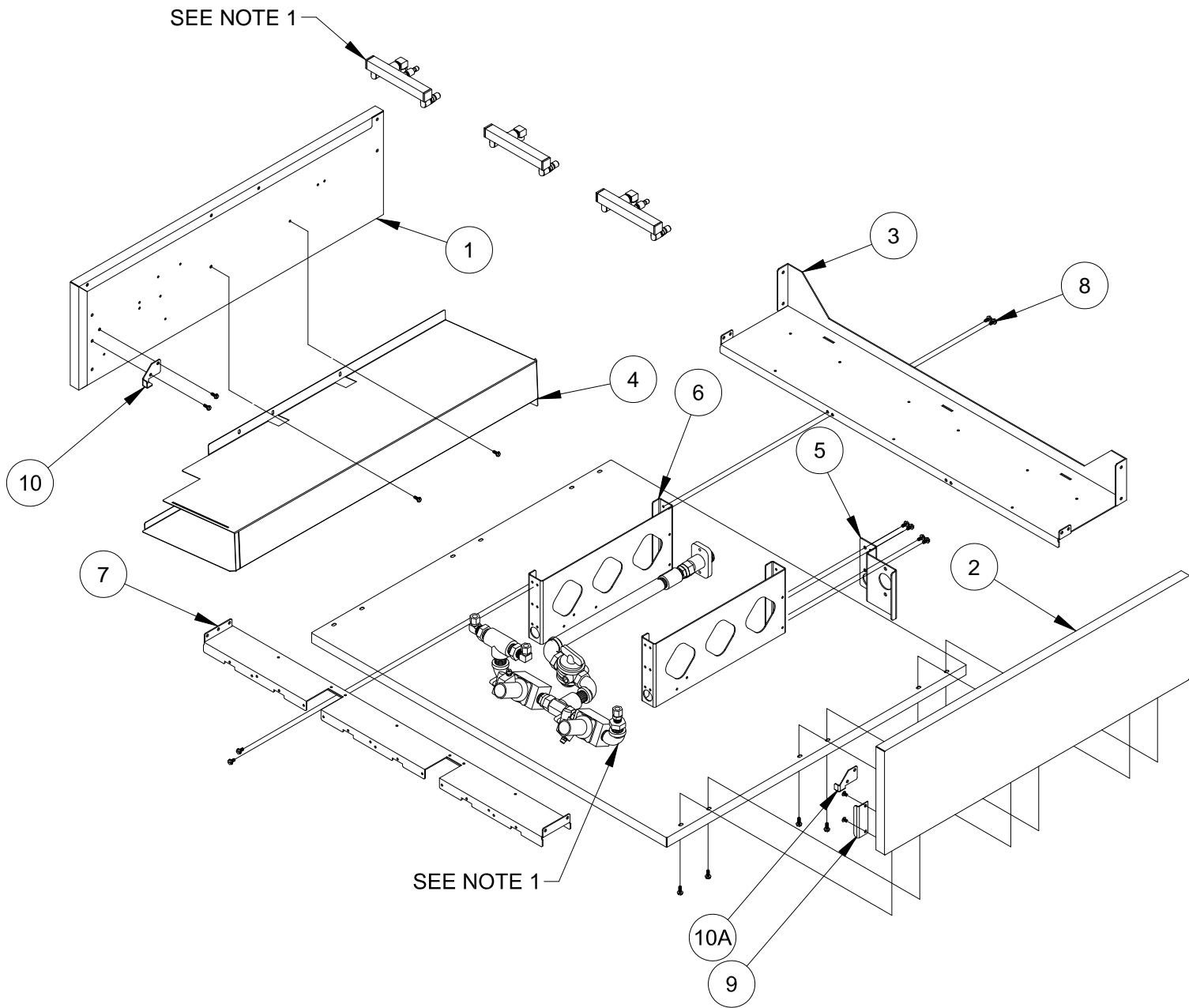
NOTE 1: For item(s) 20 and 21, see following tables and drawing for assembly diagrams and part number information.

**C) CABINET**

## Cabinet Frame Exploded View C Parts List

| ITEM # | PART #       | PART DESCRIPTION  |
|--------|--------------|---|
| 1      | 5225-1532601 | Cabinet, Left Hand Side MKH/G                               |
|        | 5225-1532603 | Cabinet, Left Hand Side MKG Rear Trough                     |
|        | 5225-1539301 | Cabinet, Left Hand Side MKH/G Five Guys                     |
|        | 5225-1539305 | Cabinet, Left Hand Side MKGD                                |
| 2      | 5225-1532602 | Cabinet, Right Hand Side MKH/G                              |
|        | 5225-1532604 | Cabinet, Right Hand Side MKG Rear Trough                    |
|        | 5225-1539302 | Cabinet, Right Hand Side MKH/G Five Guys                    |
|        | 5225-1539306 | Cabinet, Right Hand Side MKGD                               |
| 3      | 5425-1530901 | Cabinet, Back Support MKH/G24                               |
|        | 5425-1530902 | Cabinet, Back Support MKH/G36                               |
|        | 5425-1530903 | Cabinet, Back Support MKH/G48                               |
|        | 5425-1530904 | Cabinet, Back Support MKH/G60                               |
|        | 5425-1530905 | Cabinet, Back Support MKH/G72                               |
|        | 5425-1530906 | Cabinet, Back Support MKHG4 Rear Trough                     |
|        | 5425-1530907 | Cabinet, Back Support MKG36 Rear Trough                     |
|        | 5425-1530908 | Cabinet, Back Support MKG48 Rear Trough                     |
|        | 5425-1530909 | Cabinet, Back Support MKG60 Rear Trough                     |
|        | 5425-1530910 | Cabinet, Back Support MKG72 Rear Trough                     |
| 4      | 5425-1552301 | Cabinet, Grease Box Enclosure MKH/G LH Matchless            |
|        | 5425-1552302 | Cabinet, Grease Box Enclosure MKH/G RH Matchless            |
|        | 5425-1552303 | Cabinet, Grease Box Enclosure MKH/G LH Side Chute Matchless |
|        | 5425-1552304 | Cabinet, Grease Box Enclosure MKH/G RH Side Chute Matchless |
|        | 5425-1552303 | Cabinet, Grease Box Enclosure MKG LH Side Chute Matchless   |
|        | 5425-1552304 | Cabinet, Grease Box Enclosure MKG RH Side Chute Matchless   |
|        | 5425-1552307 | Cabinet, Grease Box Enclosure MKGD LH Matchless             |
|        | 5425-1552308 | Cabinet, Grease Box Enclosure MKGD RH Matchless             |
|        | 5425-1565101 | Cabinet, Grease Box Enclosure MKGD LH Snap Action           |
|        | 5425-1565102 | Cabinet, Grease Box Enclosure MKGD RH Snap Action           |
|        | 5425-1565103 | Cabinet, Grease Box Enclosure MKH/G LH Snap Action          |
|        | 5425-1565104 | Cabinet, Grease Box Enclosure MKH/G RH Snap Action          |
| 5      | 5425-1553201 | Cabinet, Gas Supply Pipe Bracket                            |
| 6      | 5425-1520302 | Cabinet, Inner Upright Support MKG                          |
| 7      | 5425-1521901 | Cabinet, Inner Front Support MKG24                          |
|        | 5425-1521902 | Cabinet, Inner Front Support MKG36                          |
|        | 5425-1521903 | Cabinet, Inner Front Support MKG48                          |
|        | 5425-1521904 | Cabinet, Inner Front Support MKG60                          |
|        | 5425-1521905 | Cabinet, Inner Front Support MKG72                          |
| 8      | P0075400     | Screw, 10-24 x ½" Self Tap                                  |
| 9      | 5425-1530601 | Front Panel, Side Support Clip MKG EI                       |
| 10     | 5425-1549401 | Front Panel, Side Retainer Bracket MKG EI LH                |
| 10A    | 5425-1549402 | Front Panel, Side Retainer Bracket MKG EI RH                |

Cabinet Frame Exploded View C



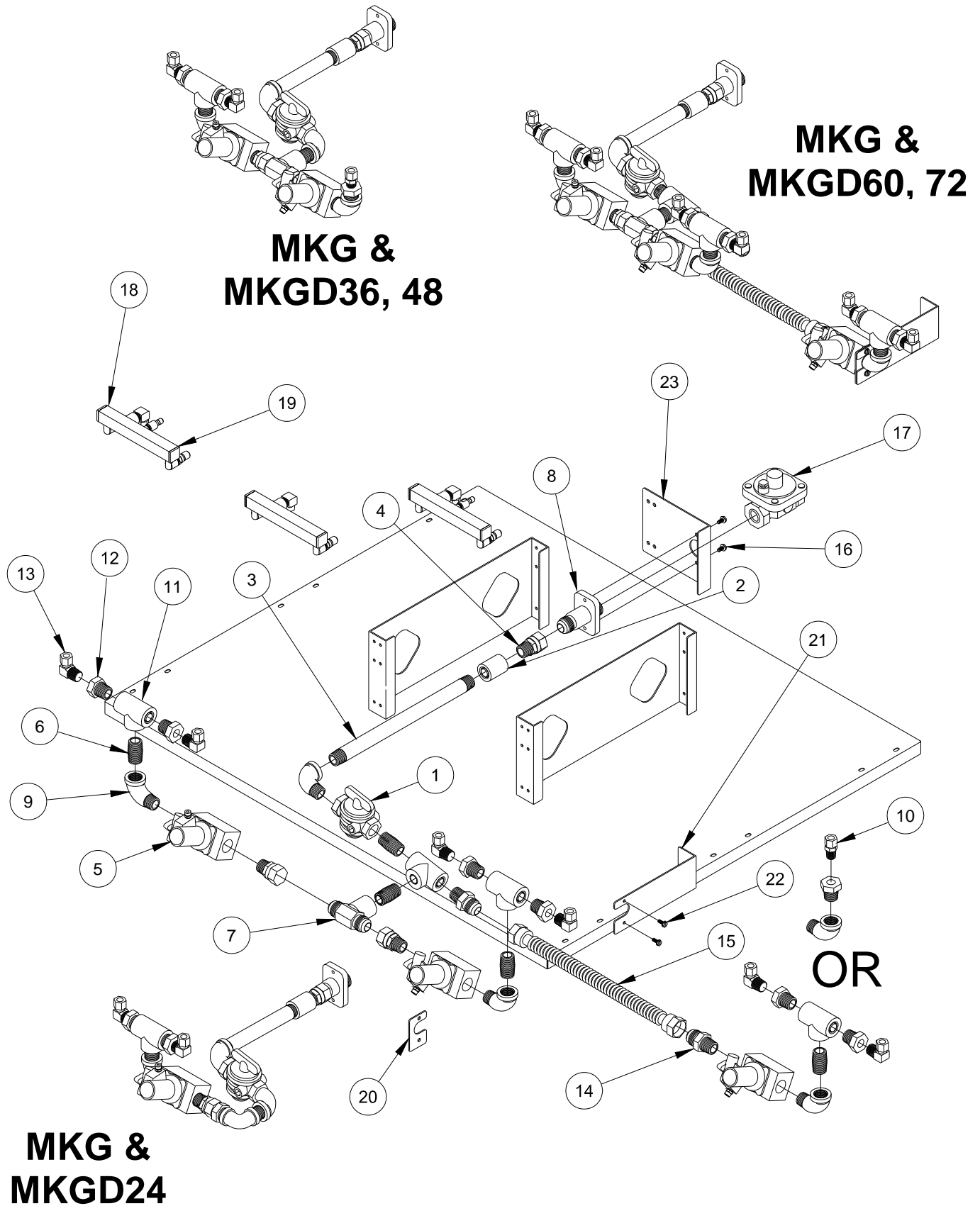
NOTE 1: See following tables and drawing for these assembly diagrams and part number information.

**D) GAS CONTROL PIPING**

Snap Action with Piezo Ignition Gas Assembly Exploded View D Parts List

| ITEM # | PART #       | PART DESCRIPTION   |
|--------|--------------|--|
| 1      | P6071767     | Valve, Manual Shut Off, ½" NPT                             |
| 2      | P70366605    | Coupling, ½" NPT Mild Steel                                |
| 3      | 60148201     | Nipple, ½" x 12" NPT Blk Iron (MODEL MKG ONLY)             |
|        | P8820-91     | Nipple, ½" x 17" NPT Blk Iron (MODEL MKGD ONLY)            |
| 4      | 60127601     | Fitting, Brass ½" MNPT x Fem Swivel                        |
| 5      | 60139101     | Valve, Gas Safety Single T-Couple                          |
| 6      | P7037090     | Nipple, ½" Close NPT Blk Iron                              |
| 7      | A8033101     | Piping, Tee ½" FNPT x 15/16" Flare                         |
| 8      | A8029105     | Coupling, Gas Supply, SG MKG                               |
| 9      | P7037750     | Elbow, ½" Street NPT                                       |
| 10     | 60139401     | Fitting, Straight Compression 1/4" NPT x 3/8" Tube         |
| 11     | P7036855     | Tee, ½" NPT Blk Iron                                       |
| 12     | PP11056      | Bushing, Reducer Hex ½" NPT x ¼" NPT                       |
| 13     | PP11134      | Fitting, Elbow Compression ¼" NPT x 3/8" Tube              |
| 14     | 60129902     | Fitting, Adapter Male Flare 45 x ½" MNPT (MKG60 & 72 Only) |
| 15     | 60128001     | Tube, Flexible w/ Fittings 16"(MKG60 & 72 Only)            |
| 16     | 60129301     | Screw, 10-24 x 5/8" Mach HH ZN w/ Loc Tite                 |
| 17     | 2701-0028200 | Regulator, Natural Gas 3.0"-5.0"                           |
|        | 2701-0028300 | Regulator, Propane Gas 5.0"-12.0"                          |
| 18     | 5225-1520001 | Manifold, Main Burner MKG                                  |
|        | 5225-1520002 | Manifold, Main Burner MKG Left Hand Trough                 |
| 19     | 2908-0032300 | Orifice, Natural Gas #49 DMS (MKG Models)                  |
|        | 2908-1318208 | Orifice, Propane Gas 1.15 MM (MKG Models)                  |
|        | 2908-1318212 | Orifice, Natural Gas .066" Dia. (MKH Models)               |
|        | 2908-1318213 | Orifice, Propane Gas #57 DMS (MKH Models)                  |
|        | 2908-1318214 | Orifice, Natural Gas #45 DMS (MKGD Models)                 |
|        | 2908-1318210 | Orifice, Propane Gas 1.25 MM (MKGD Models)                 |
| 20     | 5425-1537701 | Piping, Gas Bracket Stiffener Retainer                     |
| 21     | 5425-1537801 | Piping, Gas Bracket Stiffener                              |
| 22     | P0075400     | Screw, 10-24 x ½" Self Tap                                 |
| 23     | 5425-1531401 | Bracket, Gas Supply Pipe Inlet                             |

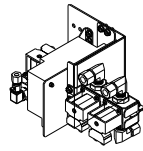
Snap Action with Piezo Ignition Gas Assembly Exploded View D



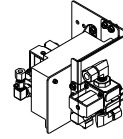
## Matchless Ignition Gas Assembly Exploded View D1 Parts List

| ITEM # | PART #       | PART DESCRIPTION   |
|--------|--------------|--|
| 1      | 60152001     | Control, Ignition Spark/Sense 24VAC                      |
| 2      | P0091400     | Nutsert, 6-32 UNC THD                                    |
| 3      | P0075400     | Screw, 10-24 x 1/2" Self Tap                             |
| 4      | 5425-1552601 | Cabinet, Ignition Module Bracket MK*                     |
| 5      | 5425-1552501 | Cabinet, Component Bracket MK*                           |
| 6      | PP11134      | Fitting, Elbow Brass Compression 3/8" TU x 1/4" NPT      |
| 7      | PP10690      | Screw, 6-32 x 1/2" UNC THD                               |
| 8      | 5425-1552701 | Valve, Mounting Bracket Top (Single Valve Assemblies)    |
|        | 5425-1552702 | Valve, Mounting Bracket Bottom (Single Valve Assemblies) |
| 9      | 5425-1552703 | Valve, Mounting Bracket Top (Dual Valve Assemblies)      |
|        | 5425-1552704 | Valve, Mounting Bracket Bottom (Dual Valve Assemblies)   |
| 10     | 60171901     | Valve, Solenoid 24 VAC 1/4" NPT                          |
| 11     | 5425-1552801 | Valve, Pilot Bracket Support                             |
| 12     | P8901-78     | Valve, Pilot Brass 1/8" NPT x 1/4" TU                    |
| 13     | 60194101     | Elbow, Brass 1/8" NPT                                    |
| 14     | PP11071      | Bushing, Reducer 1/4" X 1/8" NPT                         |
| 15     | PP11150      | Fitting, Brass Compression 1/4" TU x 1/4" NPT            |
| 16     | P7036904     | Union, 3/4" NPT Blk Iron Pipe                            |
| 17     | 60119005     | Tube, Flexible w/o Fittings 6" .375" OD                  |
| 18     | 60139401     | Fitting, Brass Compression 3/8" TU x 1/4" NPT            |
| 19     | PP10772      | Plug, 1/8" NPT Steel                                     |
| 20     | P7036726     | Plug, 1/4" NPT Steel                                     |
| 21     | 60128014     | Tube, Flexible w/ Fittings 16"                           |
| 22     | 2701-0028200 | Regulator, Natural Gas 3.0"-5.0"                         |
|        | 2701-0028300 | Regulator, Propane Gas 5.0"-12.0"                        |
| 23     | P7037350     | Nipple, 3/4" Close NPT Blk Iron Pipe                     |
| 24     | PP11095      | Valve, Manual Shut Off, 3/4" NPT                         |
| 25     | P7036603     | Coupling, 3/4" Blk Iron Pipe                             |
| 26     | 60129301     | Screw, 10-24 x 5/8" Mach HH ZN w/ Loc Tite               |
| 27     | 5425-1553201 | Bracket, Gas Supply Pipe Inlet                           |
| 28     | A8029105     | Coupling, Gas Supply, SG MKG                             |
| 29     | P7037751     | Fitting, Elbow Brass Compression 3/8" TU x 1/4" NPT      |
| 30     | 60129901     | Fitting, adapter 45 Flare 3/4" NPT                       |
| 31     | 60119001     | Tube, Flexible w/o Fittings 18" .250" OD                 |
| 32     | 60119009     | Tube, Flexible w/o Fittings 30" .250" OD                 |
| 33     | 5125-1553101 | W/A, Manifold Inlet                                      |
| 34     | 5125-1553102 | W/A, Manifold Supply                                     |
| 35     | 5125-1553103 | W/A, Manifold Supply End                                 |
| 36     | 60113401     | Cap, Pipe 3/4" NPT                                       |
| 37     | 5225-1520001 | Manifold, Main Burner MKG                                |
|        | 5225-1520002 | Manifold, Main Burner MKG Left Hand Trough               |
| 38     | 2908-0032300 | Orifice, Natural Gas #49 DMS (MKG Models)                |
|        | 2908-1318208 | Orifice, Propane Gas 1.15 MM (MKG Models)                |
|        | 2908-1318212 | Orifice, Natural Gas .066" Dia. (MKH Models)             |
|        | 2908-1318213 | Orifice, Propane Gas #57 DMS (MKH Models)                |
|        | 2908-1318214 | Orifice, Natural Gas #45 DMS (MKGD Models)               |
|        | 2908-1318210 | Orifice, Propane Gas 1.25 MM (MKGD Models)               |

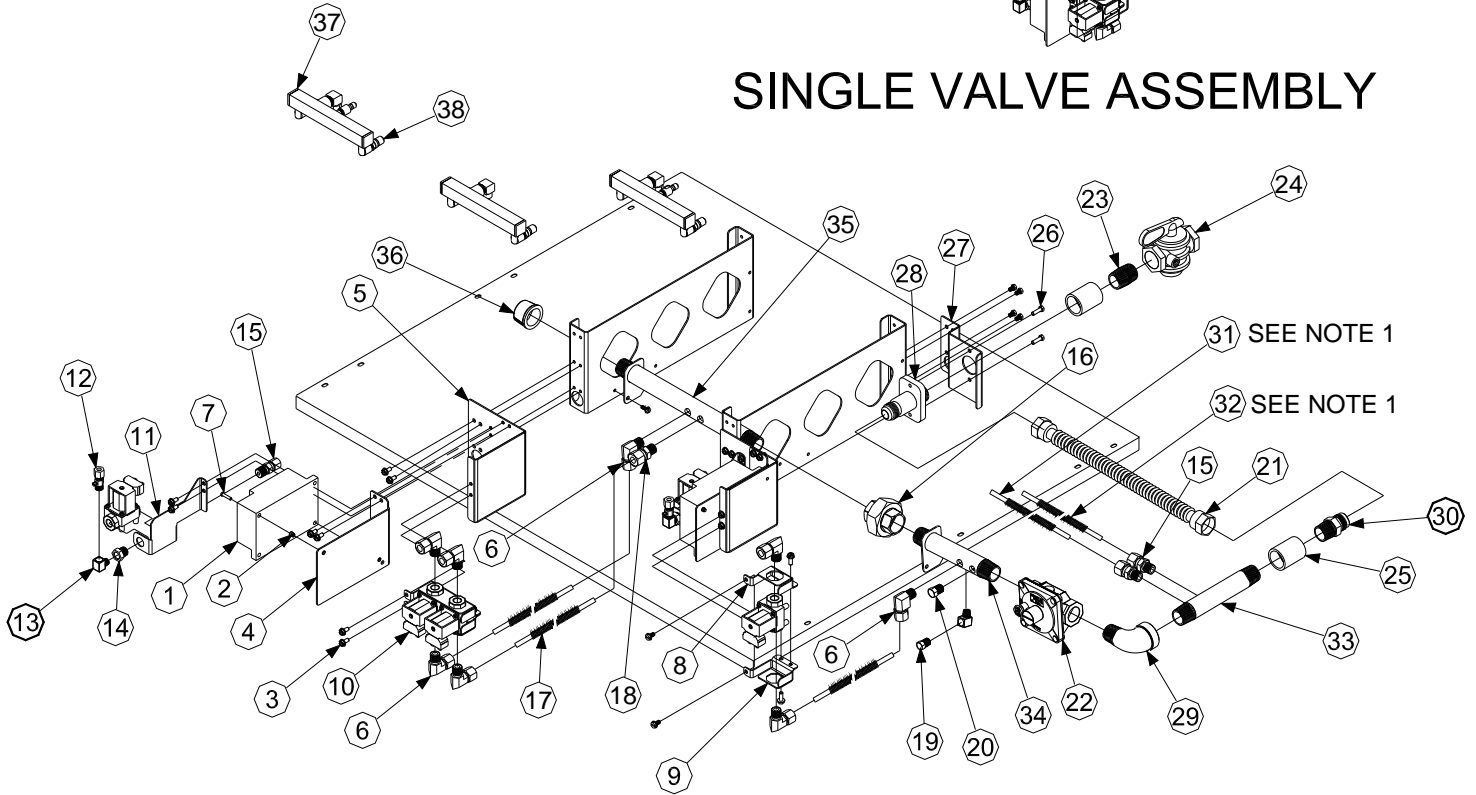
Matchless Ignition Gas Assembly Exploded View D1



DUAL VALVE ASSEMBLY



SINGLE VALVE ASSEMBLY

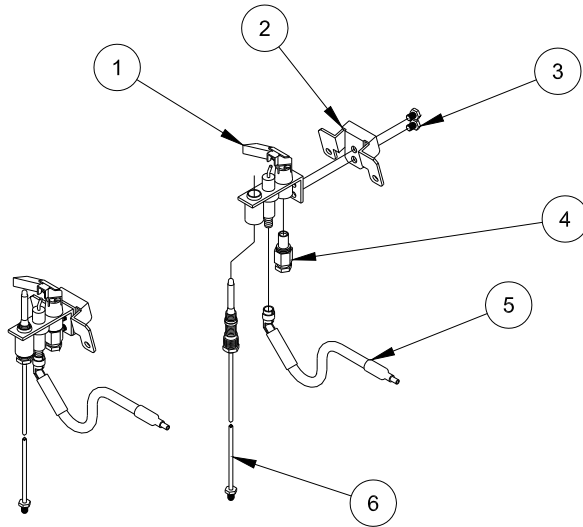


NOTE 1: Item(s) 31 and 32 connect at item(s) 15 of the gas valve assemblies.  
NOTE 2: Quantities vary depending on model size.

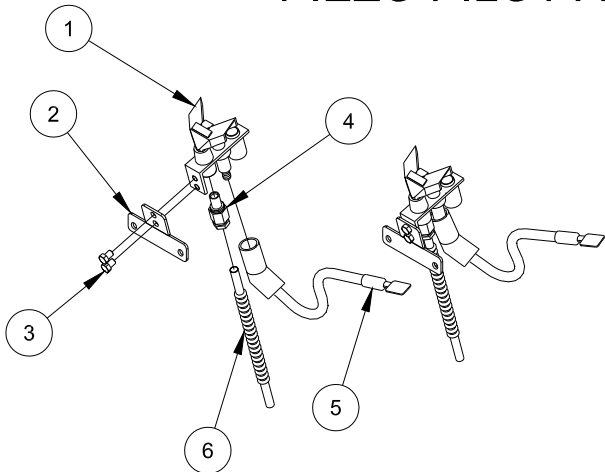
## Pilot Assembly Exploded View D2 Parts List

| ITEM # | PART #       | PART DESCRIPTION                              |
|--------|--------------|---|
| 1      | PP11296      | Pilot, Center Ignitor w/ Rajah Terminal       |
| 2      | 5425-1521201 | Pilot, Bracket MKG & MKGD (Piezo & Matchless) |
|        | 5425-1552401 | Pilot, Bracket MKH Matchless                  |
| 3      | 60088001     | Screw, 10-32 x1/4" HHD SST                    |
| 4      | P6071331     | Orifice, EI Pilot Natural Gas                 |
|        | P6071332     | Orifice, EI Pilot Propane Gas                 |
| 5      | 60126101     | Wire, Ignition Matchless All Models           |
|        | 60141301     | Wire, Ignition Piezo All Models               |
| 6      | 60119010     | Tube, Flexible w/o Fittings 6" .250" OD       |

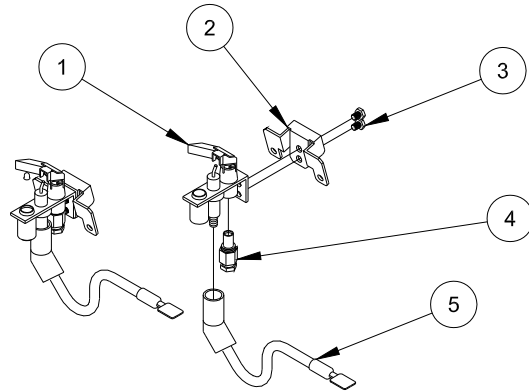
Pilot Assembly Exploded View D2



**PIEZO PILOT ASSEMBLY**



MATCHLESS PILOT ASSEMBLY  
MKH MODELS

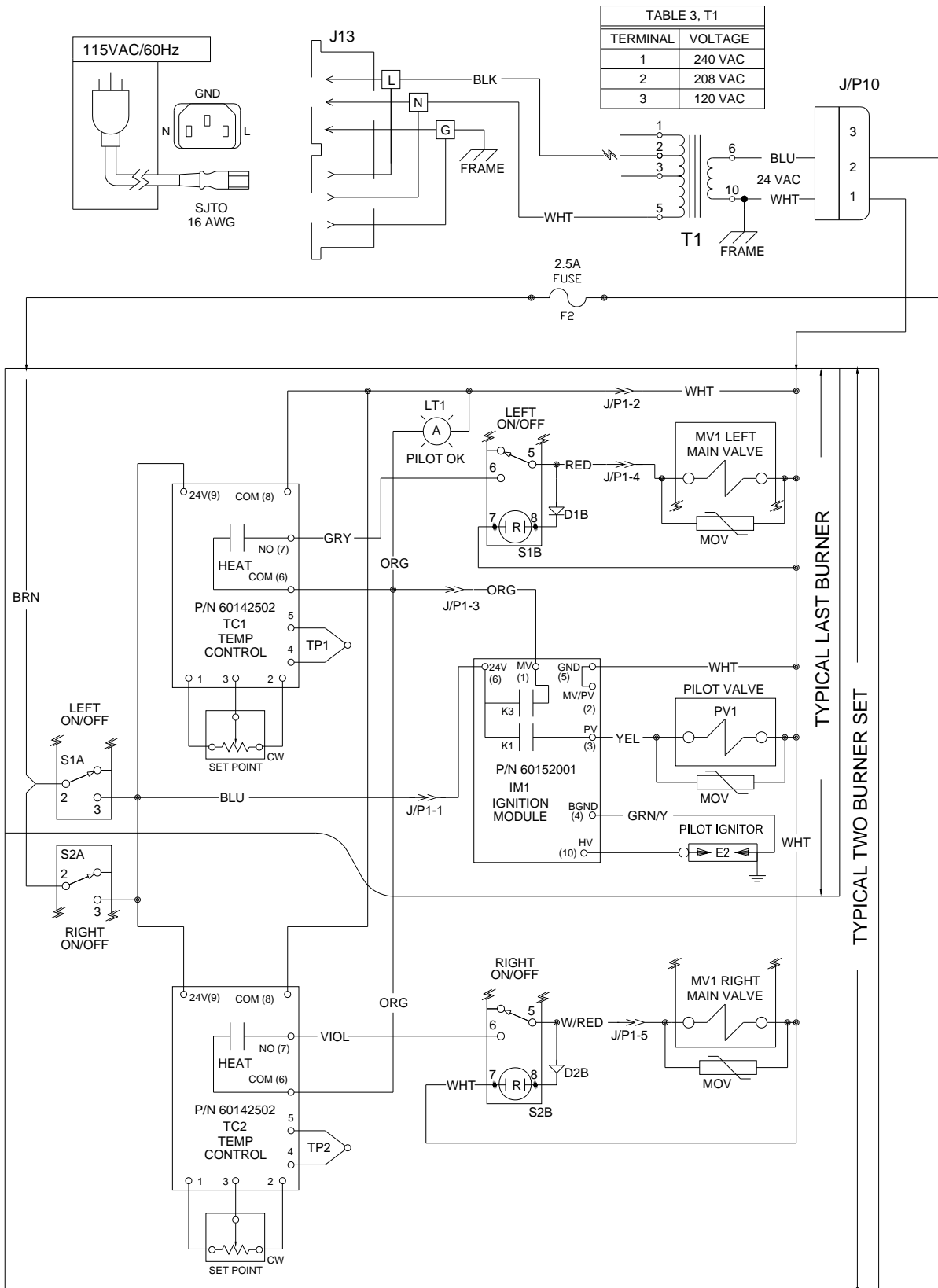


MATCHLESS PILOT ASSEMBLY  
MKG AND MKGD MODELS

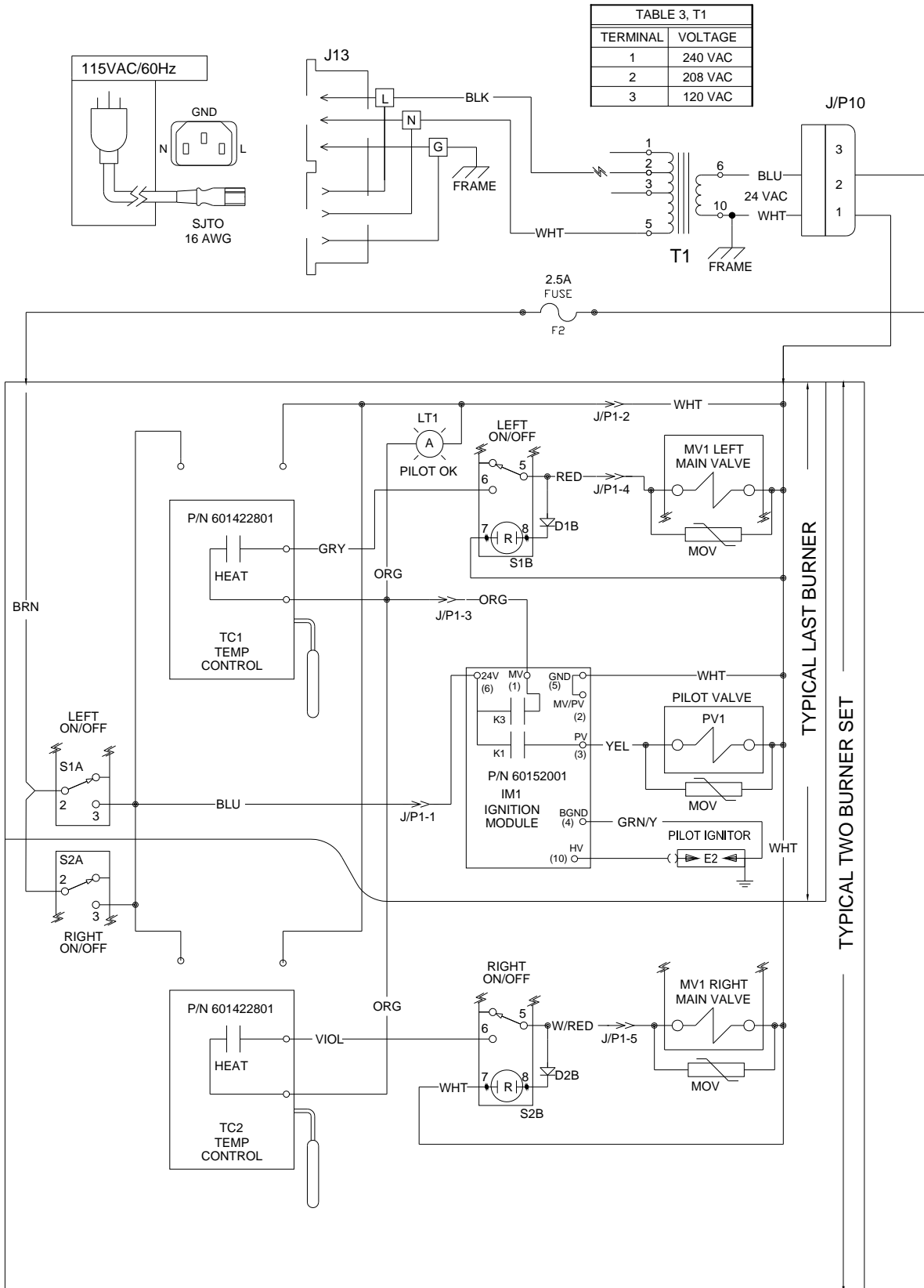
**MATCHLESS PILOT ASSEMBLY**

### E) ELECTRICAL INFORMATION

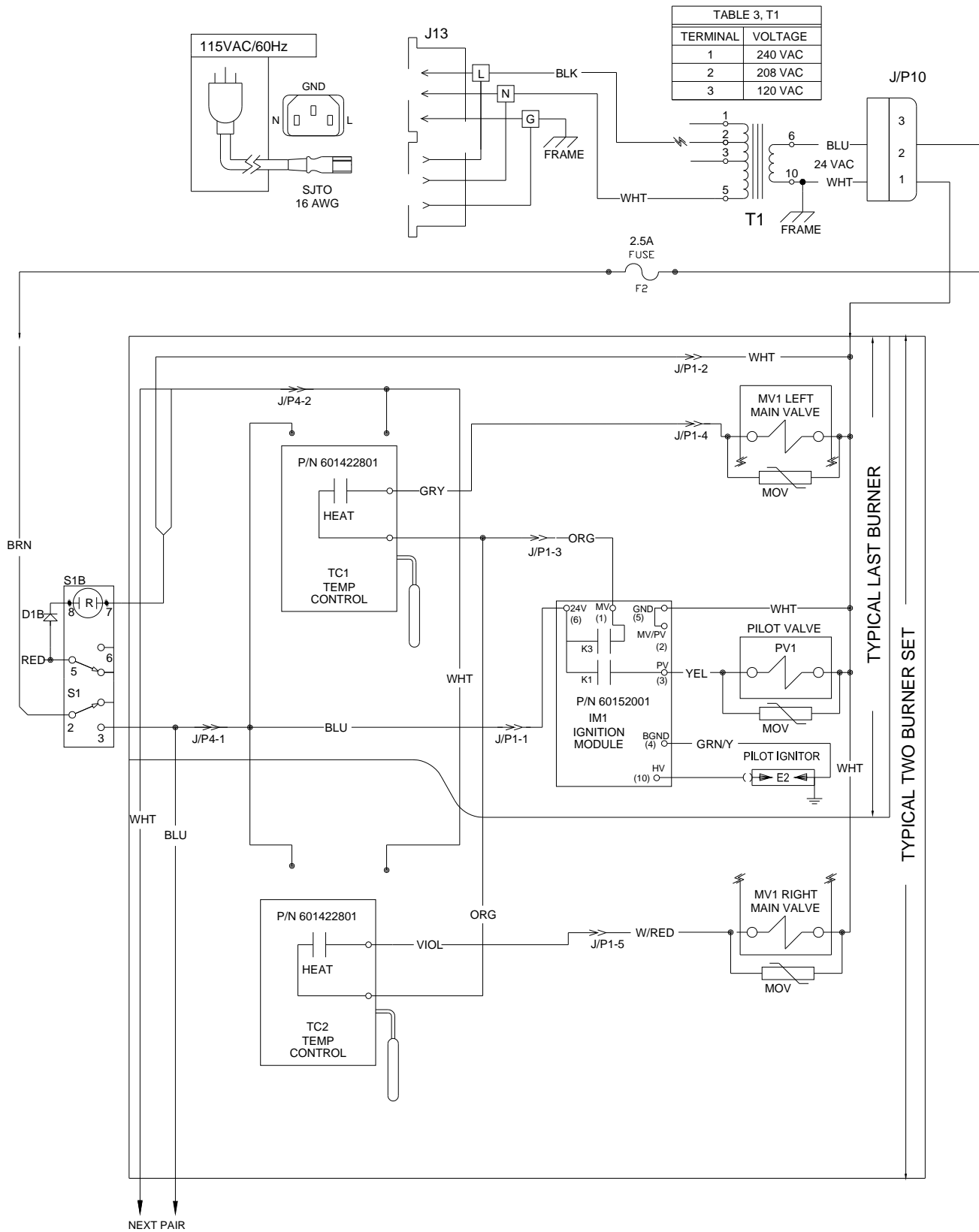
#### Solid State Control Schematic View E



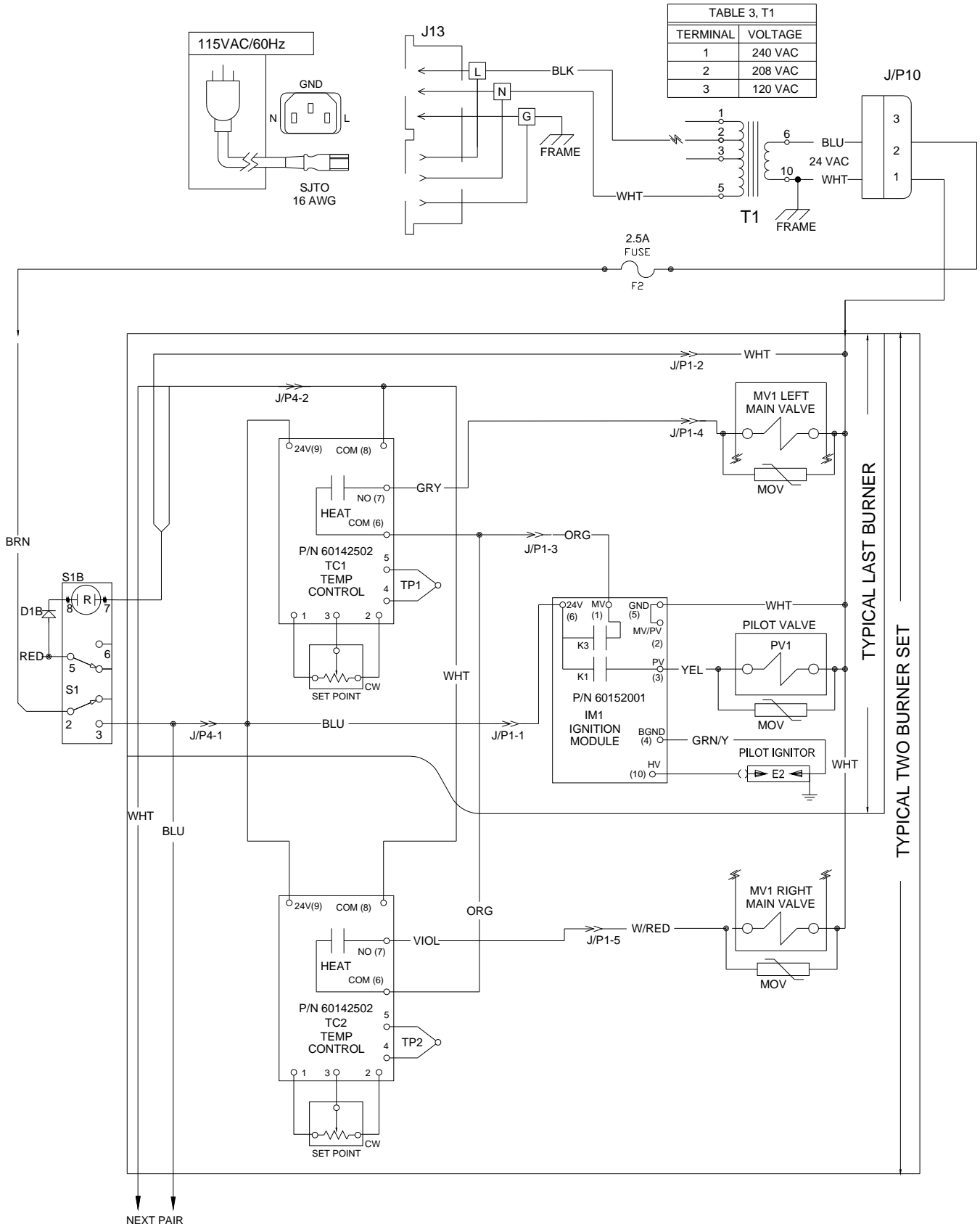
Electric Thermostat Schematic View E1



### Single Power Switch Electric Thermostat Schematic View E2



Single Power Switch Solid State Thermostat Schematic View E3



## Solid State Control Temperature Probe Resistance Chart

| Degrees Celsius (°C) | Degrees Fahrenheit (°F) | Resistance In (Ohms) |
|----------------------|-------------------------|----------------------|
| 0                    | 32                      | 1000                 |
| 10                   | 50                      | 1039                 |
| 20                   | 68                      | 1078                 |
| 30                   | 86                      | 1117                 |
| 40                   | 104                     | 1155                 |
| 50                   | 122                     | 1194                 |
| 60                   | 140                     | 1232                 |
| 70                   | 158                     | 1271                 |
| 80                   | 176                     | 1309                 |
| 90                   | 194                     | 1347                 |
| 100                  | 212                     | 1385                 |
| 110                  | 230                     | 1423                 |
| 120                  | 248                     | 1461                 |
| 130                  | 266                     | 1498                 |
| 140                  | 284                     | 1536                 |
| 150                  | 302                     | 1573                 |
| 160                  | 320                     | 1610                 |
| 170                  | 338                     | 1648                 |
| 180                  | 356                     | 1685                 |
| 190                  | 374                     | 1722                 |
| 200                  | 392                     | 1758                 |
| 210                  | 410                     | 1795                 |
| 220                  | 428                     | 1832                 |
| 230                  | 446                     | 1868                 |
| 240                  | 464                     | 1905                 |
| 250                  | 482                     | 1941                 |

**F) Appendix A**

| <b>TABLE A ITEM 1 PART NO.</b> | <b>PART DESCRIPTION</b>                                   |
|--------------------------------|---|
| 5125-1536701                   | Weld Assembly, MKG24 Plain Steel Griddle Top              |
| 5125-1536702                   | Weld Assembly, MKG36 Plain Steel Griddle Top              |
| 5125-1536703                   | Weld Assembly, MKG48 Plain Steel Griddle Top              |
| 5125-1536704                   | Weld Assembly, MKG60 Plain Steel Griddle Top              |
| 5125-1536705                   | Weld Assembly, MKG72 Plain Steel Griddle Top              |
| 5125-1536706                   | Weld Assembly, MKG24 Chrome Plated Griddle Top            |
| 5125-1536707                   | Weld Assembly, MKG36 Chrome Plated Griddle Top            |
| 5125-1536708                   | Weld Assembly, MKG48 Chrome Plated Griddle Top            |
| 5125-1536709                   | Weld Assembly, MKG60 Chrome Plated Griddle Top            |
| 5125-1536710                   | Weld Assembly, MKG72 Chrome Plated Griddle Top            |
| 5125-1516601                   | Weld Assembly, MKG24 Plain Steel Griddle Top, LH Trough   |
| 5125-1516602                   | Weld Assembly, MKG36 Plain Steel Griddle Top, LH Trough   |
| 5125-1516603                   | Weld Assembly, MKG48 Plain Steel Griddle Top, LH Trough   |
| 5125-1516604                   | Weld Assembly, MKG60 Plain Steel Griddle Top, LH Trough   |
| 5125-1516605                   | Weld Assembly, MKG72 Plain Steel Griddle Top, LH Trough   |
| 5125-1516606                   | Weld Assembly, MKG24 Chrome Plated Griddle Top, LH Trough |
| 5125-1516607                   | Weld Assembly, MKG36 Chrome Plated Griddle Top, LH Trough |
| 5125-1516608                   | Weld Assembly, MKG48 Chrome Plated Griddle Top, LH Trough |
| 5125-1516609                   | Weld Assembly, MKG60 Chrome Plated Griddle Top, LH Trough |
| 5125-1516610                   | Weld Assembly, MKG72 Chrome Plated Griddle Top, LH Trough |
| 5125-1537101                   | Weld Assembly, MKG24 Plain Steel Griddle Top, RR Trough   |
| 5125-1537102                   | Weld Assembly, MKG36 Plain Steel Griddle Top, RR Trough   |
| 5125-1537103                   | Weld Assembly, MKG48 Plain Steel Griddle Top, RR Trough   |
| 5125-1537104                   | Weld Assembly, MKG60 Plain Steel Griddle Top, RR Trough   |
| 5125-1537105                   | Weld Assembly, MKG72 Plain Steel Griddle Top, RR Trough   |
| 5125-1537106                   | Weld Assembly, MKG24 Chrome Plated Griddle Top, RR Trough |
| 5125-1537107                   | Weld Assembly, MKG36 Chrome Plated Griddle Top, RR Trough |
| 5125-1537108                   | Weld Assembly, MKG48 Chrome Plated Griddle Top, RR Trough |
| 5125-1537109                   | Weld Assembly, MKG60 Chrome Plated Griddle Top, RR Trough |
| 5125-1537110                   | Weld Assembly, MKG72 Chrome Plated Griddle Top, RR Trough |

**G) Chain Specific Parts**

## Chain Specific Parts List

| CHAIN              | ASSEMBLY DESCRIPTION | MODEL       | PART #       | PART DESCRIPTION               |
|--------------------|----------------------|-------------|--------------|--------------------------------|
| Five Guys          | Grease Box           | CU-MKG      | 5125-1532402 | W/A,GRS BOX 3.7GALS MKG CLVR   |
| Culvers            |                      | FG-MKG      | 5125-1532403 | W/A,GRS BOX 3.7 GALS MKG 5GUY  |
| Outback            |                      | OB-MKG      | 5125-1532404 | W/A,GRS BOX 3.7GALS MKG-OB     |
| Nathan's           | Griddle Top Weldment | NA-MKG36    | 5125-1528502 | W/A,TP GRIDL NATHANS MKG36     |
|                    |                      | NA-MKG48    | 5125-1528503 | W/A,TP GRIDL NATHANS MKG48     |
|                    |                      | NA-MKG60    | 5125-1528504 | W/A,TP GRIDL NATHANS MKG60     |
| Culvers            | Griddle Top Weldment | CU-MKG48    | 5125-1526502 | W/A,TP GRDL CULVERS MKG48 CHRM |
|                    |                      | CU-MKG60    | 5125-1526503 | W/A,TP GRDL CULVERS MKG60 CHRM |
| Longhorn           | Griddle Top Weldment | LH-MKG24    | 5125-1540911 | W/A, TOP GRDL W RR TR MKG24-LS |
|                    |                      | LH-MKG36    | 5125-1540912 | W/A, TOP GRDL W RR TR MKG36-LS |
|                    |                      | LH-MKG48    | 5125-1540913 | W/A, TOP GRDL W RR TR MKG48-LS |
|                    |                      | LH-MKG60    | 5125-1540914 | W/A, TOP GRDL W RR TR MKG60-LS |
|                    |                      | LH-MKG72    | 5125-1540915 | W/A, TOP GRDL W RR TR MKG72-LS |
| Texas Roadhouse    | Griddle Top Weldment | TR-MKG24    | 5125-1540916 | W/A, TOP GRDL W RR TR MKG24-TR |
|                    |                      | TR-MKG36    | 5125-1540917 | W/A, TOP GRDL W RR TR MKG36-TR |
|                    |                      | TR-MKG48    | 5125-1540916 | W/A, TOP GRDL W RR TR MKG48-TR |
|                    |                      | TR-MKG60    | 5125-1540917 | W/A, TOP GRDL W RR TR MKG60-TR |
|                    |                      | TR-MKG72    | 5125-1540918 | W/A, TOP GRDL W RR TR MKG72-TR |
| Teds Montana Grill | Griddle Top Weldment | TM-MKG48 LH | 5125-1540926 | W/A, TP GRDLW/RRTR TM-MKG48 LH |
|                    |                      | TM-MKG48 RH | 5125-1540927 | W/A, TP GRDLW/RRTR TM-MKG48 RH |
|                    |                      | TM-MKG36 LH | 5125-1540929 | W/A, TP GRDLW/RRTR TM-MKG36 RH |
|                    |                      | TM-MKG36 LH | 5125-1540932 | W/A, TP GRDLW/RRTR TM-MKG36 LH |



FOODSERVICE EQUIPMENT SPARES LTD

UNIT 4 SANDBROOK PARK, SANDBROOK WAY, ROCHDALE, OL11 1RY

01706 353 633

SALES@FOODSERVICESPARES.COM



WWW.FOODSERVICESPARES.COM