

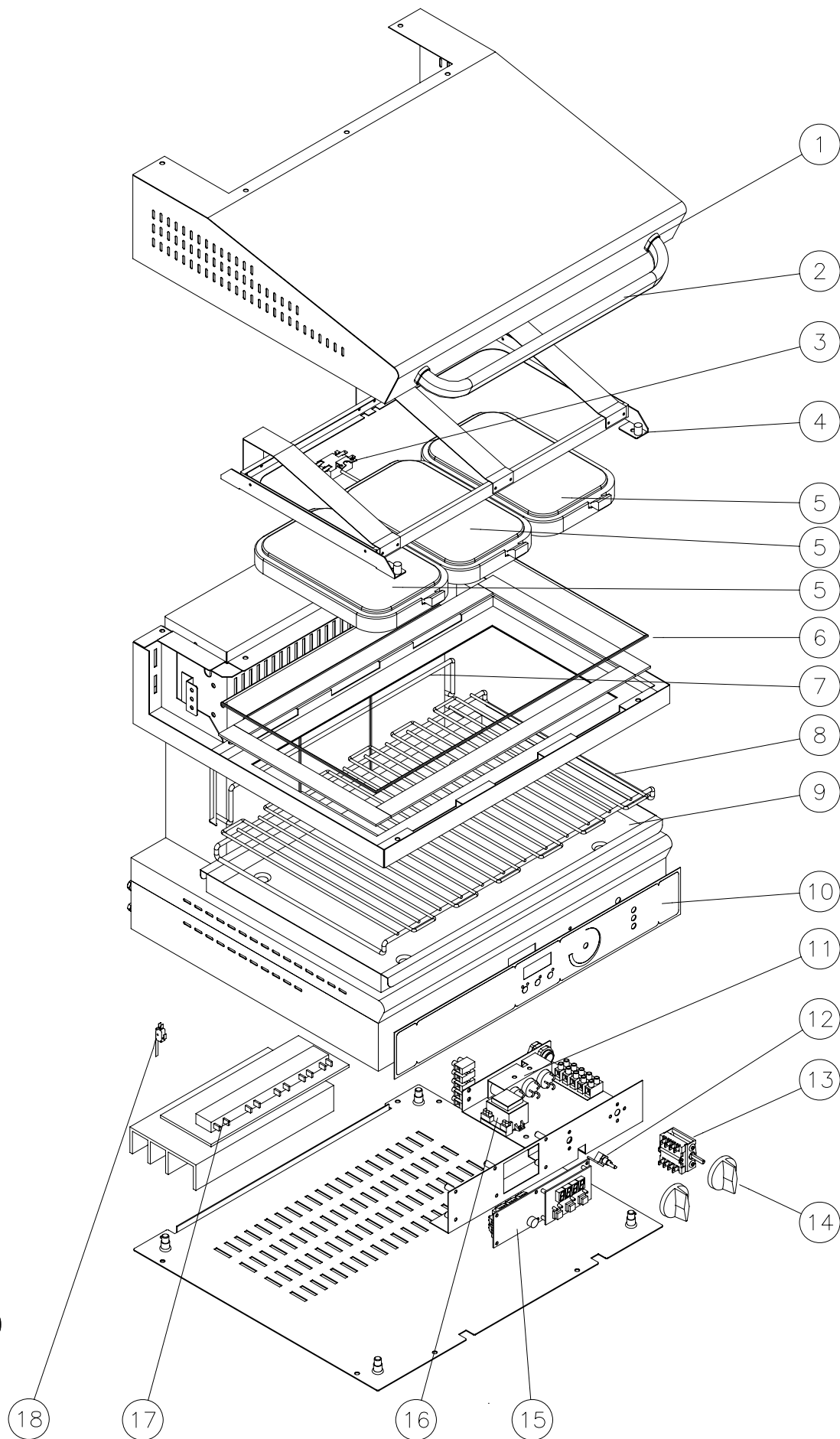
TECHNICAL **DIAGRAMS**

GIORIK
INNOVATIVE COOKING EQUIPMENT SINCE 1963

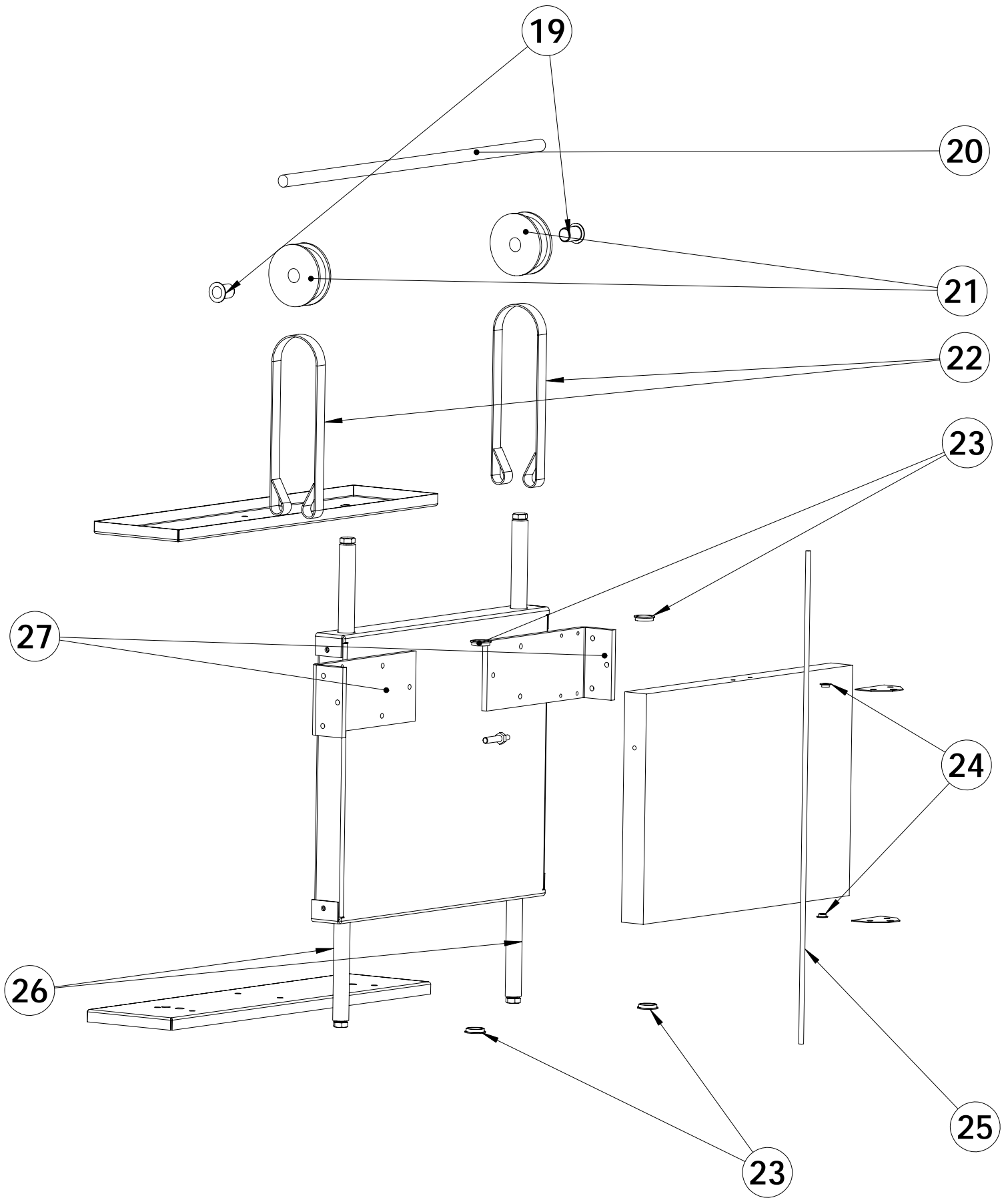
SH560P

01706 353 633

WWW.FOODSERVICESPARES.COM



Cod.SRH2060
Mod.SH560P
Rev.02



COD. SRH2060
MOD. SH560P
Rev. 2

POS.	ITA
1	Terminale atermico
2	Maniglia ovale
3	Termostato
4	Molla
5	Resistenza
6	Vetro temperato
7	Leva presenza piatto
8	Griglia
9	Vassoio raccogli gocce
10	Pannello in policarbonato
11	Filtro antisturbo
12	Encoder
13	Interruttore
14	Manopola
15	Scheda controllo
16	Trasformatore
17	Scheda TRIAC
18	Microinterruttore LANDIS
19	Boccola
20	Barra supporto puleggia
21	Puleggia in alluminio
22	Reggetta in tessuto
23	Cuscinetto
24	Boccola
25	Tondino guida contrappeso
26	Colonna per cuscinetti
27	Staffa

GB	F
Heatless end piece	Terminal athermique
Oval handle	Poignée ovale
Thermostat	Thermostat
Spring	Ressort
Heating element	Résistance
Tempered glass	Verre trempé
Rod	Rond
Grate	Grille
Drip tray	Plat récupération gouttes
Polycarbonate panel	Panneau polycarbonate
Interference filter	Filtre anti-interférences
Encoder	Encoder
Switch	Interrupteur
Knob	Bouton
Control board	Fiche controle
Transformer	Trasformateur
Board TRIAC	Fiche Triac
Micro switch	Micro-interrupteur
Bush	Douille
Pulley supporting bar	Barre de support pour poulie
Aluminium pulley	Poulie en aluminium
Fabric strap	Bande de tissu
Bearing	Coussinet
Bush	Douille
Counterweight guiding rod	Rond glissiere contrepoids
Column for bearings	Colonne pour coussinets
Bracket	Étrier

D	E
Athermischer Endverschluß	Terminal at�ermico
Ovaler Griff	Asa oval
Thermostat	Termostato
Feder	Resorte
Heizk�rper	Resistencia
Geh�rtetes Glas	Vidrio templado
Hebel fuer Tellererkenntnis	Cabilla
Gitter	Rejilla
Tropfenauffangwanne	Bandeja recogida gotas
Paneel in Polykarbonat	Panel policarbonato
St�rschutzfilter	Filtro eliminador de interferencias
Encoder	Encoder
Schalter	Interruptor
Drehknopf	Mando
Steuerschaltkarte	Tarjeta control
Transformator	Transformador
Schaltkarte TRIAC	Tarjeta TRIAC
Mikroschalter	Microinterruptor
Buchse	Casquillo
Tragestange f�r Scheibe	Barra soporte polea
Aluminiumscheibe	Polea de aluminio
Stoffband	Fleje de tejido
Lager	Cojinete
Buchse	Casquillo
F�hrungsschiene f�r gegengewicht	Cabilla gu�a contrapeso
S�ule f�r lager	Columna para cojinetes
B�gel	Estribo

POS.	CODICE	VALID.	SCAD.
1	2010335		
2	2008612		
3	6010039		
4	5900097		
5	6001066		
6	5900800		
7	2014012		
8	2008011		
9	2008015		
10	2012890		
11	6090050		
12	6010102		
13	6030012		
14	2012261		
15	6010110		
16	6010079		
17	6010111		
18	6043085		
19	6090156	28/01/2005	
20	2014177	28/01/2005	
21	2013879	28/01/2005	
22	2013882	28/01/2005	
23	6090155	28/01/2005	
24	6090154	28/01/2005	
25	2013873	28/01/2005	
26	2013881	28/01/2005	
27	2013875	28/01/2005	



FOODSERVICE EQUIPMENT SPARES LTD

UNIT 4 SANDBROOK PARK, SANDBROOK WAY, ROCHDALE, OL11 1RY

01706 353 633

SALES@FOODSERVICESPARES.COM



WWW.FOODSERVICESPARES.COM