



TECHNICAL **DIAGRAMS**



PD50-DC50-DC700

01706 353 633

[WWW.FOODSERVICESPARES.COM](http://WWW.FOODSERVICESPARES.COM)

# SPARES DIAGRAMS AND STOCK CODES PREMIUM RANGE

DC SERIES FROM 2007



**DC50  
DC50-WP**



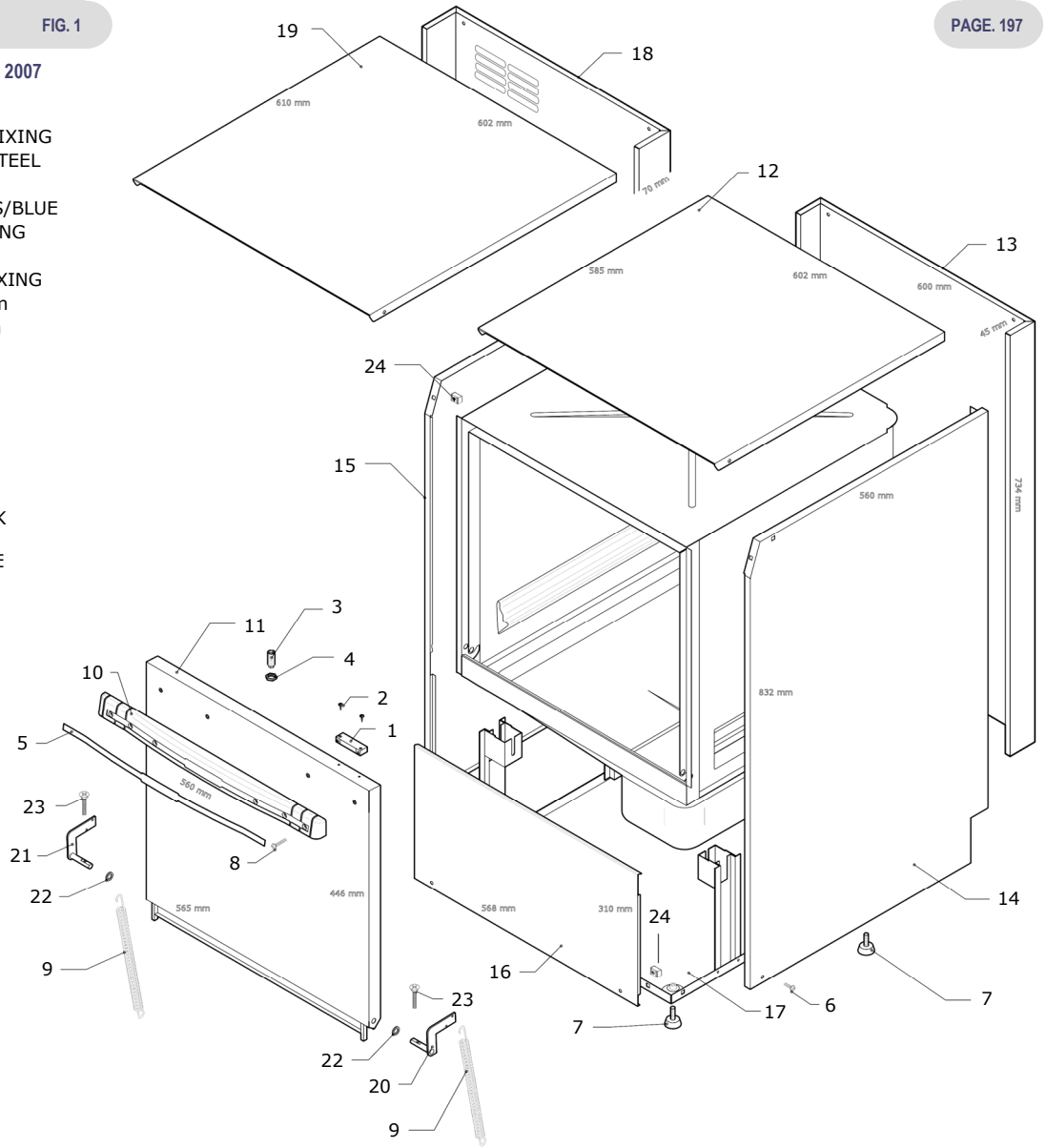
**DC700  
DC700-A  
DC700-WP  
DC700-A,WP**

## N50 / N50 B PS

A - Floor to under side door		312mm		Total loading	5080 watts
B - Open door to rear	wras=1055mm	1030mm		Boiler element	4.5kw
C - Door length		425mm		Wash tank element	2.kw
D - Door surface to door opening		395mm		Wash pump motor	0.60kw
E - Basket base to rinse nut inside		345mm		Power supply-240v	25amp / 3phase
F - Foot height		30mm		Rinse boiler temp	0-90°C
G - Machine height (+/- foot 15mm)		845mm		Wash tank temp-fixed	55°C
H - Machine depth	wras=630mm	605mm		Water consumption/cycle	2.5ltr
I - Machine width		600mm		Waste outlet hose Ø	25mm / 18.5mm
J - Waste height		80mm		Basket size	500x500mm

POS	CODE	DESCRIPTION	2007
-----	------	-------------	------

- 1 TR0220 DOOR MAGNET
- 2 907654 SCREW-DOOR MAGNET FIXING
- 3 906121 DOOR CATCH + NUT-S/STEEL
- 4 902023 NUT-DOOR CATCH
- 5 901661 HANDLE TRIM-DC SERIES/BLUE
- 6 907862 SCREW BOLT-PANEL FIXING
- 7 904990 FOOT M10
- 8 927734 SCREW BOLT-HANDLE FIXING
- 9 908041 SPRING-DOOR L=225mm
- 10 903934 HANDLE PLASTIC-560mm
- 11 929370 DOOR
- 12 929371 PANEL-TOP
- 13 929372 PANEL-REAR
- 14 929373 PANEL-R/H SIDE
- 15 929374 PANEL-L/H SIDE
- 16 929375 PANEL-LOWER FRONT
- 17 929376 BASE-STRUCTURE
- 18 929377 PANEL-REAR-BREAK TANK
- 19 929378 PANEL-TOP-BREAK TANK
- 20 901248 HINGE-RIGHT HAND SIDE
- 21 901249 HINGE-LEFT HAND SIDE
- 22 908146 GASKET-HINGE
- 23 907871 BOLT-S/STEEL-M-6x10
- 24 902004 CAGED NUT-M5

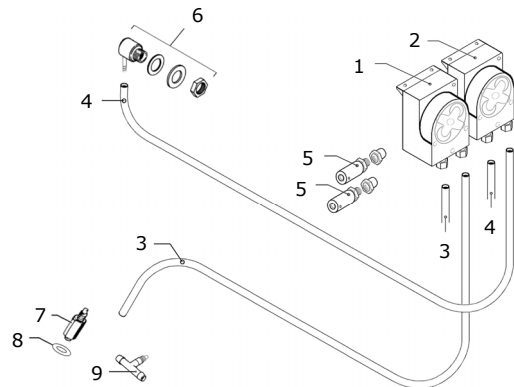


DC50/DC700 SINGLE PERISTALTIC PUMPS

FIG. 2

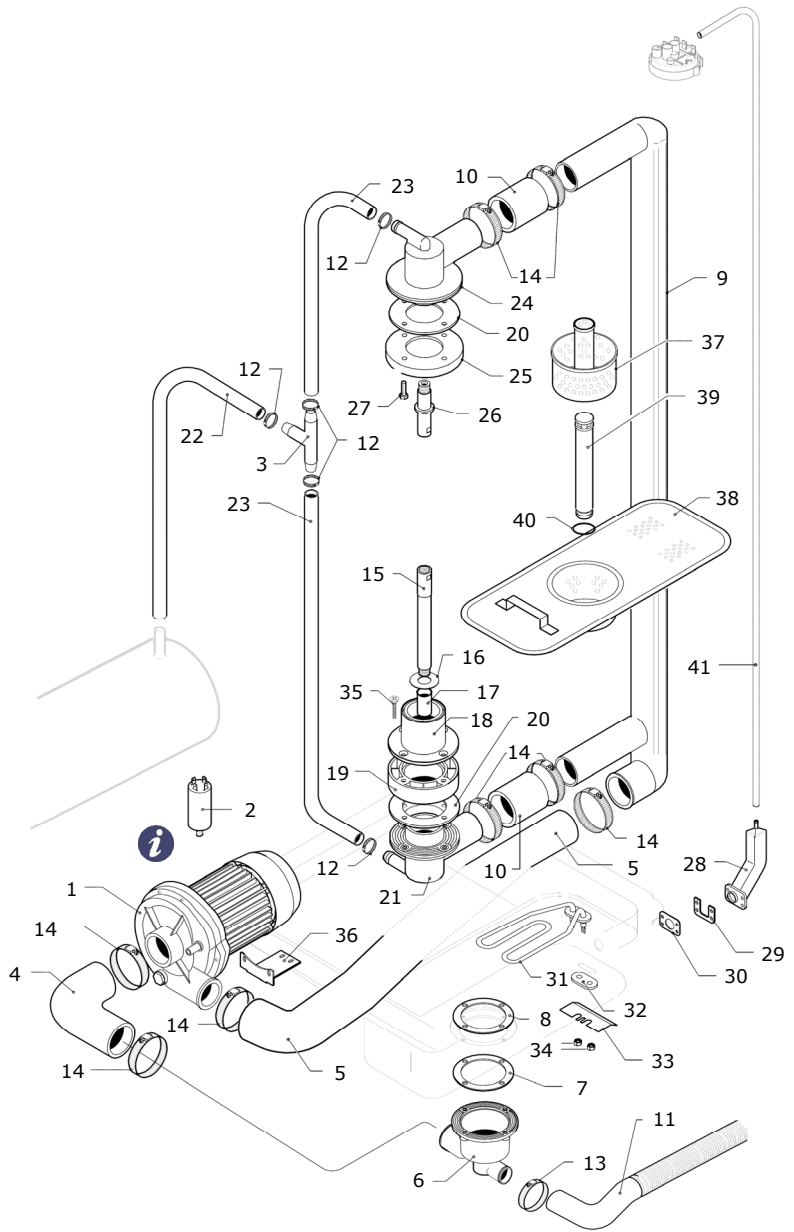
POS	CODE	DESCRIPTION	2007
-----	------	-------------	------

- 1 922344 PUMP RINSE AID-PERISTALTIC-G302-GREEN
- 2 922340 PUMP DETERGENT-PERISTALTIC-G300
- 3 907279 TUBE-CLEAR-SILICON
- 4 907274 TUBE-DETERGENT-RED
- 5 906621 WEIGHT/FILTER UNIT-COMBINED
- 6 902366 ELBOW-FITTING-DETERGENT
- 7 909069 VALVE-NON RETURN-RINSE AID
- 8 903400 GASKET-FIBER-NRV
- 9 908150 TEE-RINSE AID + NON RETURN VALVE



POS CODE DESCRIPTION 2007

1	902304	PUMP WASH-0.60 kw
2	901740	CAPACITOR-12.5 uf
3	905382	TEE-HOSE RINSE HOSE/EQUAL TEE
4	903758	HOSE-PUMP INLET
5	923758	HOSE-PUMP OUTLET
6	905255	HOUSING-SUMP-PUMP & WASTE OUTLET
7	905257	GASKET-LOWER SUMP
8	905256	RIM-DISC-SUMP
9	908701	HOSE-WASH-UPPER/LOWER-PLASTIC
10	903756	HOSE-CONNECT-WASH HOSE
11	907440	HOSE-WASTE D=25.0
12	902440	CLIP 13-20 / SIZE 20
13	902460	CLIP 26-38 / SIZE 38
14	902441	CLIP 38-50 / SIZE 50
15	908705	WASH PIN-HUB-LOWER
16	906002	WASHER-HUB-LOWER
17	908456	SLEVE-REDUCING-S/STEEL
18	905388	HUB-LOWER-PLASTIC-PART ASSEMBLY
19	902183	COLLOR-HUB LOWER H=11mm
20	908141	GASKET-HUB-UPPER/LOWER
21	905449	HUB INLET HOUSING-UPPER/LOWER
22	907295	HOSE-RINSE 12x19.5
23	907360	HOSE-RINSE 10x17
24	905456	HUB INLET HOUSING-UPPER/LOWER
25	902184	FLANGE-INT-HUB UPPER
26	904799	WASH PIN-UPPER
27	907871	BOLT-S/STEEL-HUB UPPER
28	907254	AIR TRAP-EXTERIOR H=145
29	907926	PLATE-FIXING-AIR TRAP-EXTERIOR
30	903262	GASKET-AIR TRAP-EXTERIOR
31	905858	ELEMENT-WASHTANK + GASKET 2.0 kw
32	925858	GASKET-ELEMENT-2000 kw
33	904957	GUARD-ELEMENT
34	902030	NUT-M5/LOCK NUT
35	929400	BOLT-HUB-LOWER
36	906355	BRACKET-PUMP SUPPORT
37	904469	FILTER BOWL-HOLE FOR DRAIN PLUG
38	904471	FILTER SURFACE-S/STEEL-BOWL
39	907303	DRAIN PLUG + O-RING H=210mm
40	904404	O-RING-DRAIN PLUG/PLASTIC
41	907279	TUBE-CLEAR-SILICON

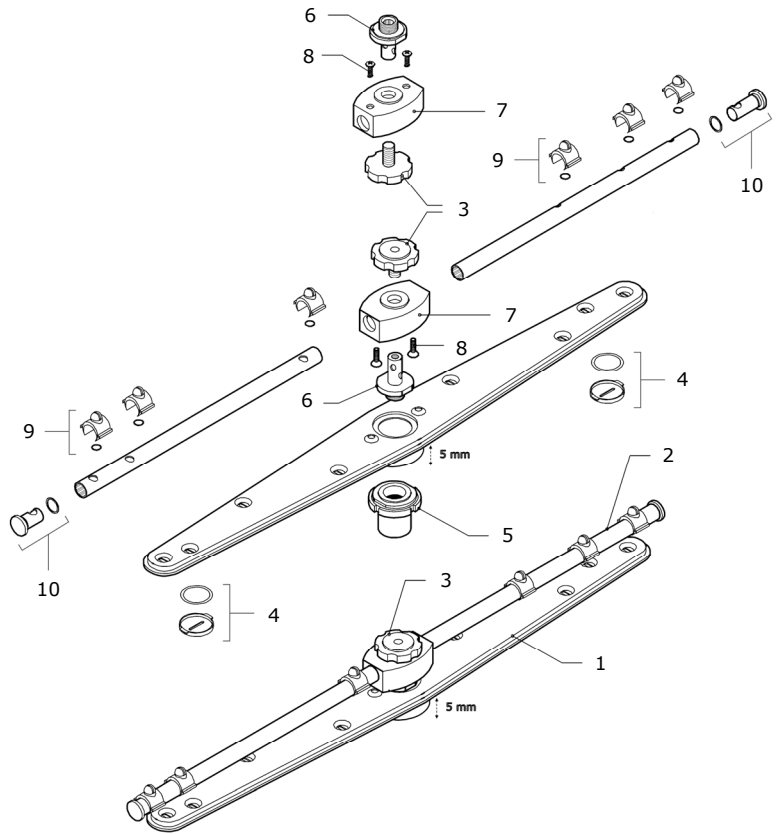
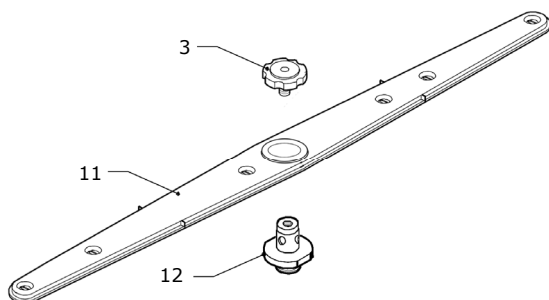


DC50/DC700

FIG. 4

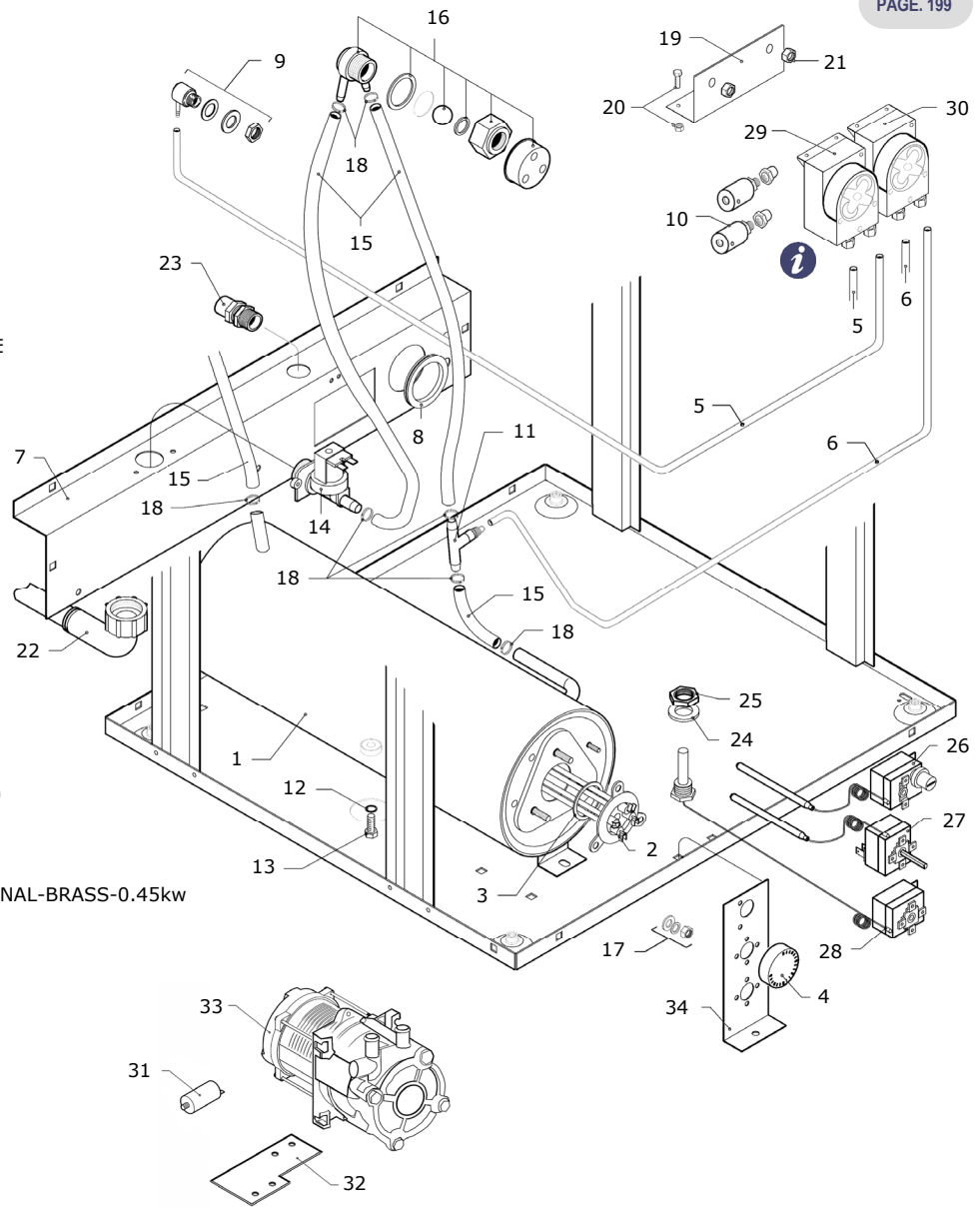
POS CODE DESCRIPTION 2007

1	923107	WASH ARM-COMPLETE -5mm RIM
2	903017	RINSE ARM-COMPLETE
3	902880	NUT-RINSE ARM-PLASTIC
4	906445	INSPECTION CLEANING CAP + O-RING
5	904277	BOSS + NUT/WASH ARM
6	904760	RINSE PIN-S/STEEL
7	904292	BOSS-RINSE ARM
8	907651	SCREW-4x8mm-S/STEEL-BOSS RINSE ARM
9	902816	JET-RINSE + O-RING
10	906451	END CAP-RINSE ARM + O-RING
11	907958	RINSE ARM-PLASTIC-PPL-COMPLETE-2007
12	908771	RINSE PIN-S/STEEL-PLASTIC RINSE ARM 2007



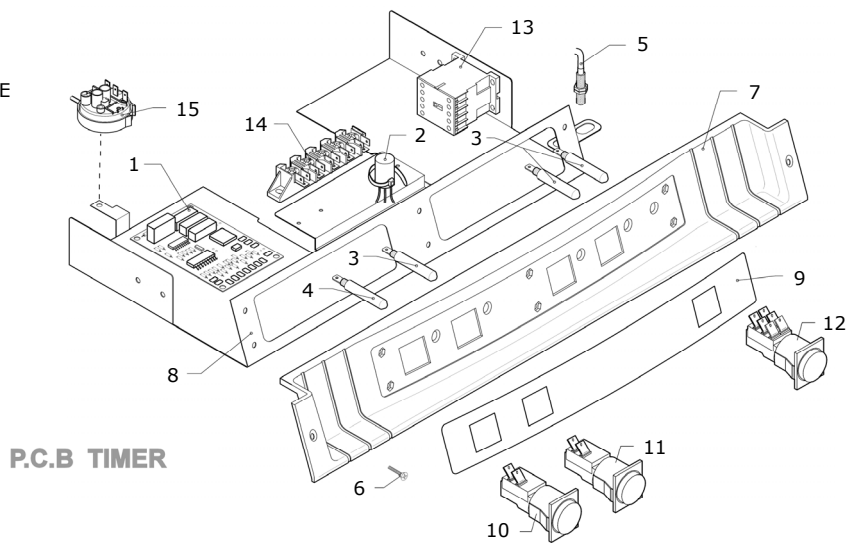
POS	CODE	DESCRIPTION	2007
-----	------	-------------	------

1	900486	BOILER	
2	905560	ELEMENT-BOILER 4.500 kw + O-RING	
3	907981	O-RING-BOILER ELEMENT	
4	903982	DIAL CONTROL-THERMOSTAT	
5	907274	TUBE-DETERGENT-RED	
6	907279	TUBE-CLEAR-SILICON	
7	929430	PANEL-LOWER REAR SUPPORT	
8	904721	FAIRLEAD-HOSE PROTECTION	
9	902366	ELBOW-FITTING-DETERGENT	
10	906621	WEIGHT/FILTER UNIT-COMBINED	
11	908150	TEE-RINSE AID + NON RETURN VALVE	
12	904430	O-RING-DRAIN BOLT-BOILER	
13	907820	DRAIN BOLT-BOILER M-8 x 12	
14	902390	SOLENOID VALVE-1 WAY	
15	907295	HOSE-RINSE 12x19.5	
16	TR2433	VALVE-NON RETURN-ANTI SYPHON	
17	923392	NUT-SET/ELEMENT FIXING	
18	902440	CLIP 13-20/SIZE 20	
19	927094	BRACKET	
20	927099	BOLT+NUT-M4x10	
21	902010	NUT-M6	
22	907345	HOSE-MAINS WATER INLET	
23	902687	CLAMP-CABLE-MAINS LEAD	
24	904991	GASKET-THERMOSTAT	
25	902104	NUT-PROBE 3/8"	
26	907125	THERMOSTAT-SAFETY 90-110c	
27	907100	THERMOSTAT-BOILER 0-90c	
28	907124	THERMOSTAT-WASH TANK 30-90c	
29	922340	PUMP DETERGENT-PERISTALTIC-G300	
30	922344	PUMP RINSE AID-PERISTALTIC-G302	
31	901730	CAPACITOR-10 uf	
32	906998	BRACKET-PUMP FIXING-LARGE	
33	902352	BOOSTER PUMP-MAINS WATER-INTERNAL-BRASS-0.45kw	
34	906374	BRACKET-THERMOSTAT SUPPORT	



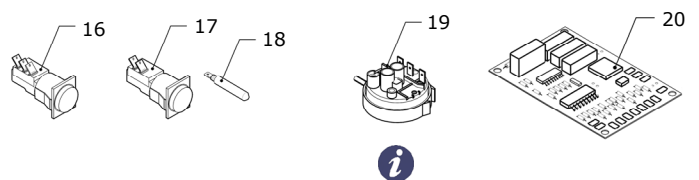
POS	CODE	DESCRIPTION	2007
-----	------	-------------	------

1	927182	TIMER ELECTRONIC & RELAY BOARD-2 + 3 MINUTE	
2	902105	NOISE FILTER-SUPPRESSOR	
3	903642	LAMP-AMBER/PUSH FIT	
4	903641	LAMP-GREEN/PUSH FIT	
5	TR0309	SWITCH-REED MAGNETIC-SENSOR	
6	907844	SCREW BOLT-M5x10	
7	929422	PANEL-CONTROL-PLASTIC FACIA	
8	929379	PANEL-CONTROL	
9	907091	PANEL-FACIA/GRAFIX	
10	905325	SWITCH-ON/OFF-2 PIN-BLUE	
11	905332	SWITCH-CYCLE START-BLUE	
12	905329	SWITCH-TIME SELECT-6 PIN-BLUE	
13	907045	CONTACTOR 9a /250 v	
14	904150	TERMINAL BLOCK-MAINS-6 POLE	
15	905283	PRESSURE SWITCH-65/9.5	
15	905275	PRESSURE SWITCH-35/90	



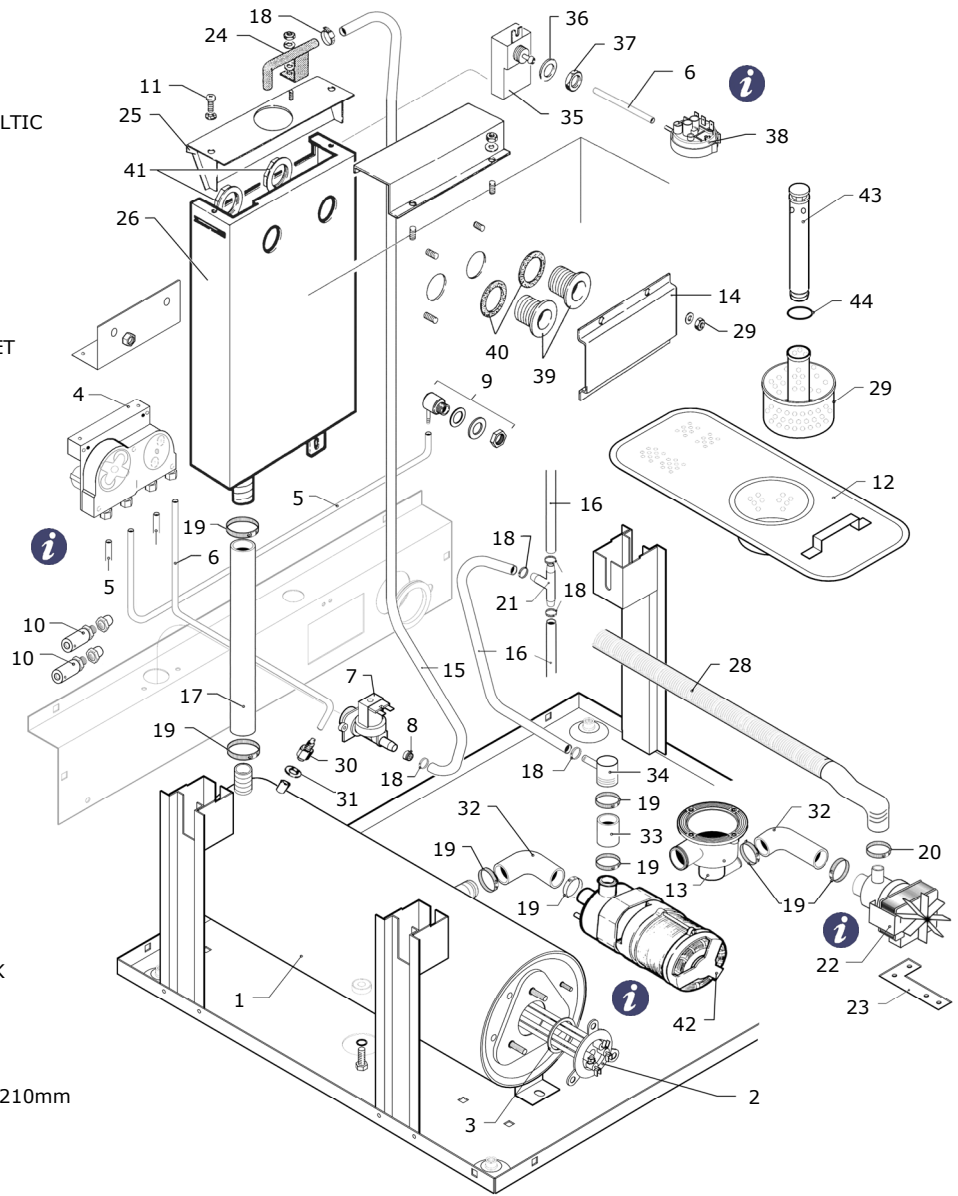
POS	CODE	DESCRIPTION	2007
-----	------	-------------	------

16	905334	SWITCH-ON/OFF-3 PIN-WP-BLUE	
17	905337	SWITCH-WASTE PUMP-BLUE-NON LATCHED-2 PIN	
18	903642	LAMP-AMBER/PUSH FIT	
19	905270	PRESSURE SWITCH-40/20-BREAK TANK	
20	907174	TIMER ELECTRONIC & RELAY BOARD-6*-WASTE PUMP	



POS CODE DESCRIPTION 2007

1	900363	BOILER-TYPE "A"
2	905560	ELEMENT-BOILER 4.500 kw+ 0-RING
3	907981	O-RING-BOILER ELEMENT
4	902045	PUMP RINSE AID/DETERGENT-PERISTALTIC
5	907274	TUBE-DETERGENT-RED
6	907279	TUBE-CLEAR-SILICON
7	922390	SOLENOID VALVE-1 WAY-8ltr / MIN
8	922391	RESTRICTOR VALVE-8ltr / MIN
9	902366	ELBOW-FITTING-DETERGENT
10	906621	WEIGHT/FILTER UNIT-COMBINED
11	907862	SCREW BOLT-FIXING
12	904471	FILTER SURFACE-S/STEEL-BOWL
13	905255	HOUSING-SUMP-PUMP & WASTE OUTLET
14	900024	COVER-BREAK TANK-OUTLET
15	907295	HOSE-RINSE 12x19.5
16	907360	HOSE-RINSE 10x17
17	903675	HOSE-BREAK TANK HOSE
18	902440	CLIP 13-20/SIZE 20
19	902460	CLIP 26-38/SIZE 38
20	902454	CLIP 19-28/SIZE 28
21	905382	TEE-HOSE RINSE HOSE/EQUAL TEE
22	902346	PUMP-WASTE-ANTI AIR LOCK
23	906997	BRACKET-WASTE PUMP FIXING
24	900002	TAP-OUTLET-BREAK TANK
25	900001	COVER-BREAK TANK-TOP
26	900000	BREAK TANK
27	900024	COVER-BREAK TANK-OUTLET
28	907439	HOSE-WASTE-D=18.5 L=2000
29	904469	FILTER BOWL-HOLE FOR DRAIN PLUG
30	909069	VALVE-NON RETURN-RINSE AID
31	903400	GASKET-FIBER-NRV
32	903713	HOSE-INLET-R.B.P
33	903714	HOSE-OUTLET-R.B.P
34	901651	ELBOW-REDUCING-RBP-S/STEEL
35	907252	AIR TRAP H=90-BREAK TANK
36	903260	GASKET-AIR TRAP 3/8"
37	902100	NUT 3/8"
38	905270	PRESSURE SWITCH-40/20-BREAK TANK
39	TR1234	HOUSING OVERFLOW-BREAK TANK
40	903325	GASKET-HOUSING OVERFLOW
41	902080	NUT-HOUSING
42	902235	PUMP 0.20 kw-RINSE BOOSTER PUMP
43	927303	DRAIN PLUG-WP-HOLES + O-RING H=210mm
44	904404	O-RING-DRAIN PLUG/PLASTIC

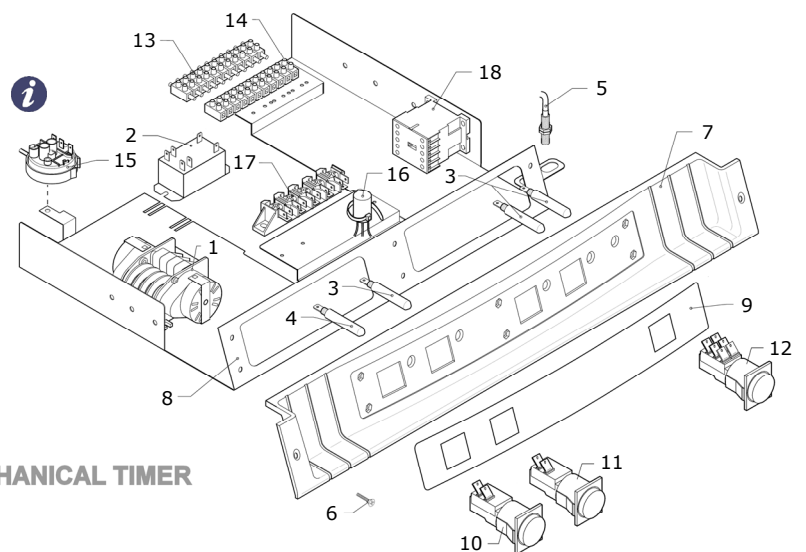


DC50/DC700

FIG. 9

POS CODE DESCRIPTION 2007

1	907182	TIMER UNIT-2 + 3 MINUTE
2	909068	RELAY-6 PIN 250v/WHITE
3	903642	LAMP-AMBER/PUSH FIT
4	903641	LAMP-GREEN/PUSH FIT
5	TR0309	SWITCH-REED MAGNETIC-SENSOR
6	907844	SCREW BOLT-M5x10
7	929422	PANEL-CONTROL-PLASTIC FACIA
8	929379	PANEL-CONTROL
9	907091	PANEL-FACIA/GRAFIX
10	905325	SWITCH-ON/OFF-2 PIN-BLUE
11	905332	SWITCH-CYCLE START-BLUE
12	905329	SWITCH-TIME SELECT-6 PIN-BLUE
13	904200	TERMINAL BLOCK 10 POLE-M
14	904170	TERMINAL BLOCK 10 POLE-F
15	905283	PRESSURE SWITCH-65/9.5
15	905275	PRESSURE SWITCH-35/90
16	902105	NOISE FILTER-SUPPRESSOR
17	904150	TERMINAL BLOCK-MAINS-6 POLE
18	907045	CONTACTOR 9a /250 v



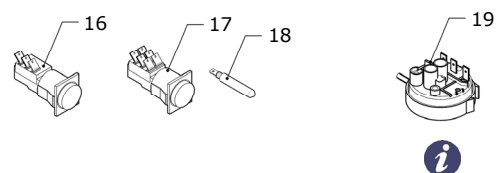
MECHANICAL TIMER

DC50-WP/DC700-A,WP

FIG. 10

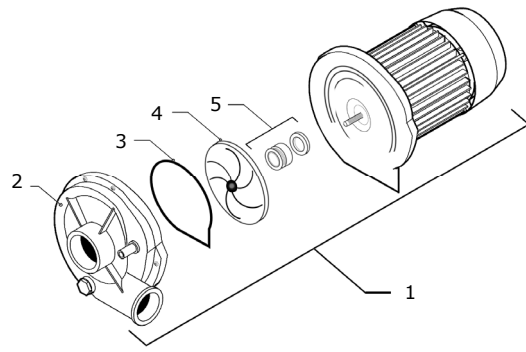
POS CODE DESCRIPTION 2007

16	905334	SWITCH-ON/OFF-3 PIN-WP-BLUE
17	925341	SWITCH-WASTE PUMP-BLUE-NON LATCHED-6 PIN
18	903642	LAMP-AMBER/PUSH FIT
19	905270	PRESSURE SWITCH-40/20-BREAK TANK



**POS CODE DESCRIPTION 2007**

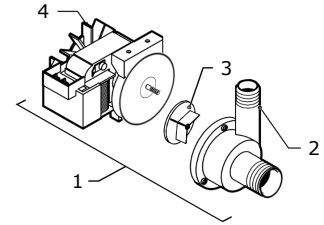
1	902304	PUMP WASH-0.60 kw
2	902304A	IMPELLOR HOUSING
3	902304B	SEAL-IMPELLOR HOUSING
4	902304C	IMPELLOR
5	902304D	SEAL-INNER SHAFT



**DC50/DC700 WASTE PUMP-PARTS**

**POS CODE DESCRIPTION 2007**

1	902346	PUMP-WASTE-ANTI AIR LOCK-BLACK
2	922338	IMPELLOR HOUSING-WASTE PUMP-TOP EXIT
3	922337	IMPELLOR-WASTE PUMP
4	920031	FAN-WASTE PUMP

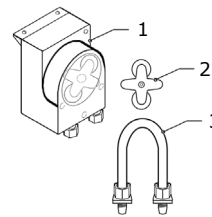


**DC50/DC700 SINGLE PERISTALTIC PUMP-PARTS**

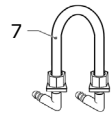
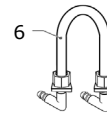
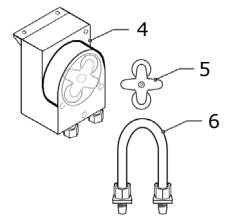
**POS CODE DESCRIPTION 2007**

1	922344	PUMP RINSE AID-PERISTALTIC-G302 / GREEN
2	920091	ROTOR-PUMP-RINSE AID-GERMAC-G302
3	908323	PERISTALTIC TUBE RINSE AID-GERMAC-G302
4	922340	PUMP DETERGENT-PERISTALTIC-G300 / GREEN
5	920090	ROTOR-PUMP-DETERGENT-GERMAC-G300
6	907287	PERISTALTIC TUBE-PUMP DETERGENT-GERMAC-G300

PUMP RINSE AID



PUMP DETERGENT



RINSE AID REAR FACING TAG TIED FITTING

DETERGENT REAR FACING TAG TIED FITTING

**DC50/DC700 SINGLE PERISTALTIC PUMP-PARTS**

**POS CODE DESCRIPTION 2007**

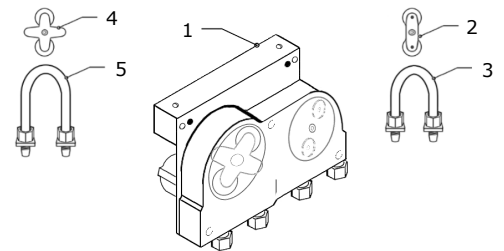
6	928323	PERISTALTIC TUBE RINSE AID-REAR FACING-GERMAC-G302E
7	927287	PERISTALTIC TUBE-PUMP DETERGENT-REAR FACING-GERMAC-G300E

**DC50/DC700 DUEL PERISTALTIC PUMP-PARTS**

**POS CODE DESCRIPTION 2007**

1	902045	PUMP RINSE AID/DETERGENT-DUEL PERISTALTIC-G650 / BLACK
2	907289	ROTOR-PUMP-RINSE AID-GERMAC-DUEL-G650
3	908328	PERISTALTIC TUBE RINSE AID-GERMAC-DUEL-G650
4	920090	ROTOR-PUMP-DETERGENT-GERMAC-G650
5	908329	PERISTALTIC TUBE-DETERGENT-GERMAC-G650

PUMP RINSE AID & DETERGENT DUEL

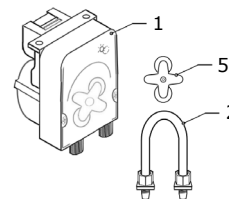


**DC50/DC700 SINGLE PERISTALTIC PUMP-PARTS**

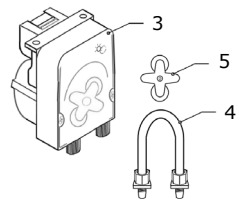
**POS CODE DESCRIPTION 2007**

1	902344	PUMP RINSE AID-PERISTALTIC-SEKO
2	907277	PERISTALTIC TUBE-PUMP-RINSE AID-SEKO
3	902340	PUMP DETERGENT-PERISTALTIC-SEKO
4	907276	PERISTALTIC TUBE-PUMP-DETERGENT-SEKO
5	907281	ROTOR-SEKO RINSE AID & DETERGENT PUMP

RINSE AID PUMP-PERISTALTIC SEKO



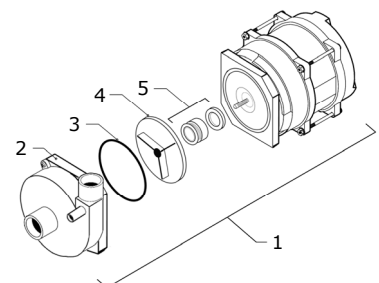
DETERGENT PUMP-PERISTALTIC SEKO



**DC50/DC700 RINSE BOOSTER PUMP-PARTS**

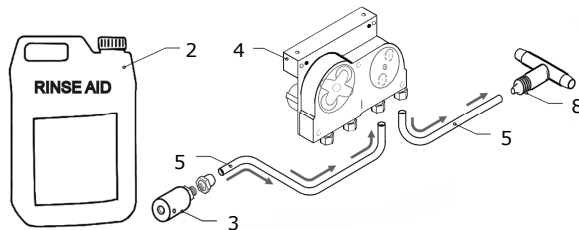
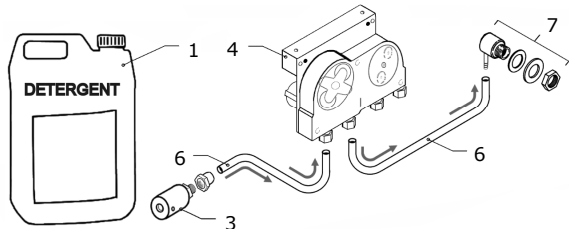
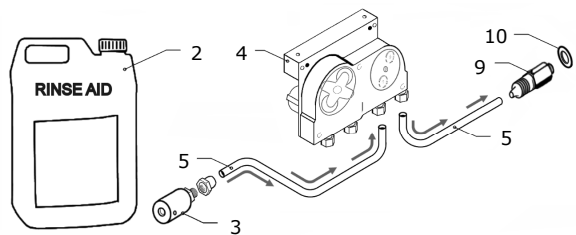
**POS CODE DESCRIPTION 2007**

1	902235	RINSE BOOSTER PUMP-BLUE HEAD-020 kw
2	902235A	IMPELLOR HOUSING
3	902235B	SEAL-IMPELLOR HOUSING
4	902235C	IMPELLOR
5	902235D	SEAL-INNER SHAFT



POS CODE DESCRIPTION

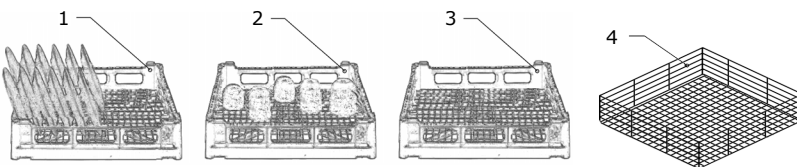
1	D1011	DETERGENT-DC SERIES 5LTR
2	D1008	RINSE AID-DC SERIES 5LTR
3	906621	WEIGHT/FILTER UNIT-NRV-COMBINED
4	902045	PUMP RINSE AID/DETERGENT-DUEL-G650
5	907279	TUBE-CLEAR-SILICON
6	907274	TUBE-DETERGENT-RED
7	902366	ELBOW-FITTING-DETERGENT
8	908150	TEE-RINSE AID-NON RETURN VALVE
9	920060	VALVE-NON RETURN-RINSE AID
10	920061	GASKET-FIBER-VALVE-NON RETURN



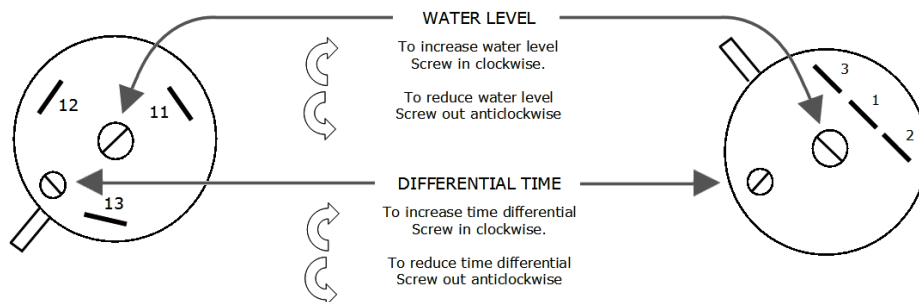
DC50/DC700 BASKETS

POS CODE DESCRIPTION

1	901500	BASKET-DISH-PLASTIC-500x500x100
2	901510	BASKET-CUP-PLASTIC-500x500x100
3	901511	BASKET-CUTLERY-PLASTIC-500x500x100
4	901400	BASKET-GLASS-WIRE-500x500



DC50/DC700 PRESSURE SWITCH ADJUSTMENT



DC50/DC700 CONTROL PANEL LAYOUT



DC50/DC700 MACHINE IDENTIFICATION

Model & Serial numbers, Power ratings & Manufactures date can be found on the identification plate located on the right side panel & inside the lower front panel.

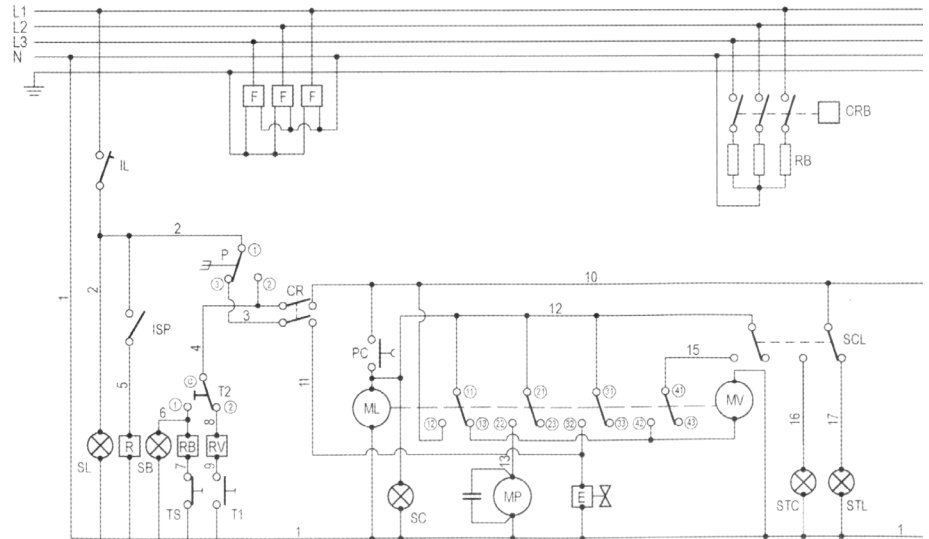
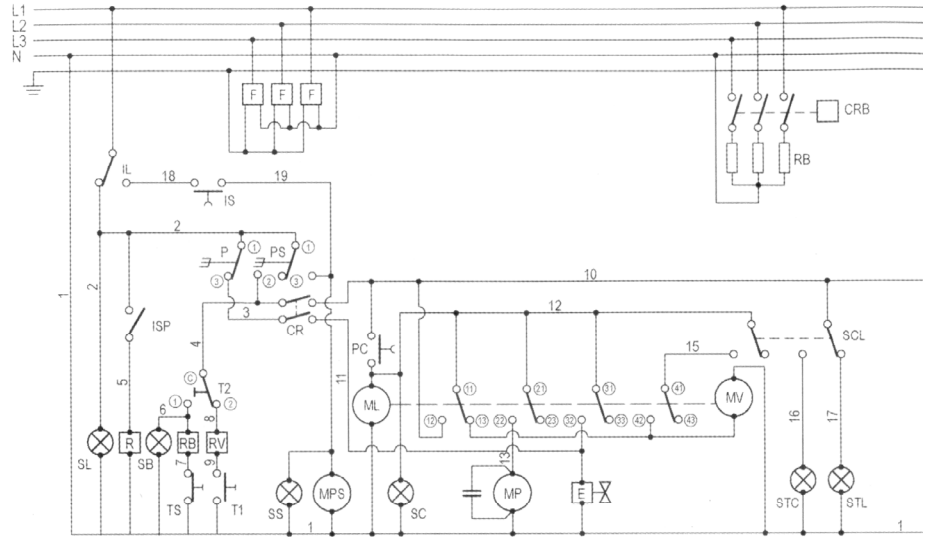


DIRECT CATERING PRODUCTS  
NORTHLOAD HOUSE  
BRISTOL BS28 4SY UK

MODEL: DC50 / DC700	WATT:
VOLT:240/1~50 HZ	
DATE:01/01/07	
SERIAL NUMBER:10000	



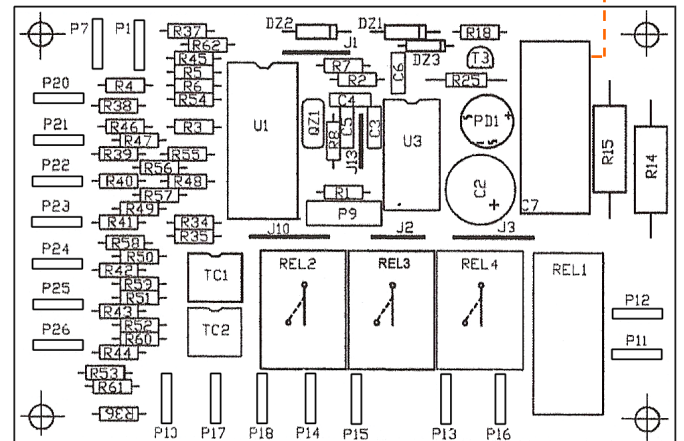
- CR DOOR MICRO SWITCH CONTACT
- CRB CONTROL SWITCH CONTACT
- E SOLENOID VALVE
- F NOISE FILTER-SUPPRESSOR
- IL LINE SWITCH
- ISP DOOR SAFTY REED SWITCH
- IS WASTE PUMP SWITCH
- ML TIMER-3 MINS MOTOR
- MP WASH PUMP MOTOR
- MV ADVANCE TIMER MOTOR
- MPS WASTE PUMP MOTOR
- P PRESSURE SWITCH
- PC CYCLE SWITCH
- PS WASTE PUMP
- R DOOR SWITCH RELAY
- RB BOILER ELEMENT
- RV WASH TANK ELEMENT
- SB BOILER READY LAMP
- SC CYCLE LAMP
- SS WASTE PUMP LAMP
- SCL WASH CYCLE SELECTOR SWITCH
- SL ON/OFF LAMP
- STC 2 MIN CYCLE LAMP (OPTION)
- STL 3 MIN CYCLE LAMP
- T1 THERMOSTAT-WASH TANK
- T2 THERMOSTAT-BOILER
- TS THERMOSTAT-SAFTY-OVERLOAD



PIN	FUNCTION			907174	907175	907177
P1	DOOR REED SWITCH	PERMANENT INPUT	230V/240V 50-60HZ	X	X	X
P7	POWER ON / DOOR REED SWITCH	PERMANENT INPUT	230V/240V 50-60HZP	X	X	
P10	PRESSURE SWITCH	PERMANENT INPUT	230V/240V 50-60HZ	X	X	X
P11	POWER SUPPLY		230V/240V 50-60HZ	X	X	X
P12	POWER SUPPLY		230V/240V 50-60HZ	X	X	X
P13	WASTE PUMP	RELAY 4 / 10 AMPS	230V/240V 50-60HZ 100W	X	X	X
P14	SOLINOID AND PERISTALTICS	RELAY 2 / 10 AMPS	230V/240V 50-60HZ 5W	X	X	X
P15	REGENERATION SOLONOID	RELAY 3 / 10 AMPS	230V/240V 50-60HZ 5W	X		
P15	RINSE BOOSTER PUMP	RELAY 2 / 10 AMPS	230V/240V 50-60HZ 200W	X		X
P16	WASH PUMP	RELAY 1 / 10 AMPS	230V/240V 50-60HZ 1 HP	X	X	X
P17	REGENERATION LAMP	TC1	230V/240V 50-60HZ 0.5W	X		
P18	WASHING CYCLE LAMP	TC2	230V/240V 50-60HZ 0.5W	X	X	X
P20	INPUT WASH CYCLE	60 SEC 0.5 SEC INPUT	230V/240V 50-60HZ	X	X	X
P21	INPUT WASH CYCLE	75 SEC 0.5 SEC INPUT	230V/240V 50-60HZP	X		X
P22	INPUT WASH CYCLE	90 SEC 0.5 SEC INPUT	230V/240V 50-60HZ	X		
P23	INPUT WASH CYCLE	120 SEC 0.5 SEC INPUT	230V/240V 50-60HZ	X	X	X
P24	INPUT WASH CYCLE	150 SEC 0.5 SEC INPUT	230V/240V 50-60HZ	X		
P25	INPUT WASH CYCLE	180 SEC 0.5 SEC INPUT	230V/240V 50-60HZ	X	X	X
P26	INPUT REGENERATION CYCLE	1 SEC INPUT	230V/240V 50-60HZ	X		

P.C.B TIMER

ID & CODE





FOODSERVICE EQUIPMENT SPARES LTD

UNIT 4 SANDBROOK PARK, SANDBROOK WAY, ROCHDALE, OL11 1RY

01706 353 633

SALES@FOODSERVICESPARES.COM



WWW.FOODSERVICESPARES.COM