



TECHNICAL DIAGRAMS



PSK KEL 125-S

01706 353 633

WWW.FOODSERVICESPARES.COM

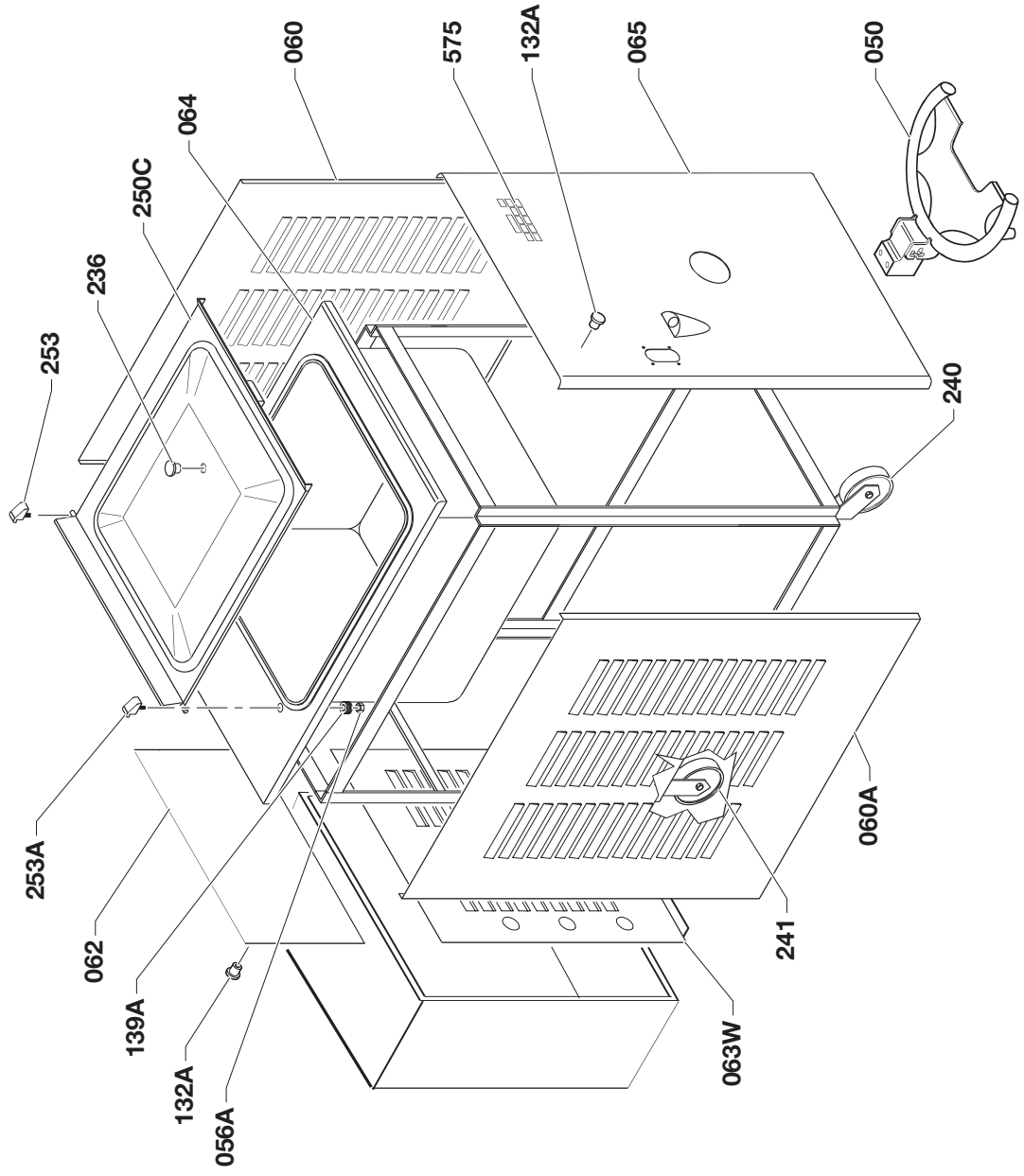
CARROZZERIE
COACHWORK
CARROSSERIE
KAROSSERIEN
CARROCERIAS

NUMERO TAVOLA
NUMBER TABLE
NUMÉRO DE TABLE
ZAHL TABELLE
NÚMERO DE MESA

REVISIONE
REVIEW
VÉRIFIER
REVISION
REVISAR

01

01



1/2

Pos. Pos. Pos. Pos. Pos.	Codice Code Code Code Código	Descrizione	Description	Description	Beschreibung	Descrizione	Note Notes Notes Anmerkungen Notas
050	IC102132320	MENSOLA RECLINABILE	SHELF-RECLINING	ETAGERE INCLINABLE	KIPPBARE KONSOLE	REPISA RECLINABLE	
056A	IC512352506	DADO E M 6 AUTOBL.UNI7473 6S	NUT SELF-LOCKING	ÉCROU DE SÉCURITÉ	SELBSTSICHERENDE MUTTER	TUERCA AUTOBLOQUEANTE	
060	IC102098000	LAM.LATERALE DX	PANEL-SIDE RIGHT	TOLE LATERALE DROITE	SEITENBLECH RECHTS	CHAPA LATERAL DERECHA	
060A	IC102100890	LAM.LATERALE	PANEL-SIDE	TOLE LATERALE	SEITENBLECH	CHAPA LATERAL	
062	IC102115560	LAM.POSTERIORE SUPERIORE	PANEL-UPPER REAR	TOLE ARRIERE SUPERIEURE	BLECH HINTEN OBEN	CHAPA TRASERA SUPERIOR	
063W	IC102120440	LAM.POSTERIORE INFERIORE W	PANEL-LOWER REAR WATER COOLED	TOLE ARRIERE INF. EAU	BLECH HINTEN UNTEN WASSERKOND.	CHAPA TRASERA INF. AGUA	
064	IC102087820	LAM.SUPERIORE	PANEL-TOP	TOLE SUPERIEURE	BLECH OBEN	CHAPA SUPERIOR	
065	IC102054340	LAM.FRONTALE	PANEL-FRONT	TOLE FRONTALE	FRONTBLECH	CHAPA FRONTAL	
132A	IC173138230	TAPPO TUBO SCARICO GRIGIO	PLUG-RELIEF	BOUCHON EVACUATION	ABLASSSTOPFEN	TAPÓN DESCARGA	
132A	IC173138350	TAPPO TUBO SCARICO	PLUG-RELIEF	BOUCHON EVACUATION	ABLASSSTOPFEN	TAPÓN DESCARGA	
139A	IC513120958	MOLLA A TAZZA D. 8 18 1	SPRING-TAP	RESSORT	FEDER HAHNFLANSCH	RESORTE	
236	IC588300336	SOTTOTAPPO PLASTICA D.19	PLUG-PLASTIC	BOUCHON COUVERCLE	VERSCHLUSS	TAPON	
240	IC591000225	RUOTA 80X25 C/B SCR/FIL.M12 FRENO ANTER.	CASTER-W/BRAKE	ROUE PIVOTANTE	DREHBARES RAD	RUEDA GIRATORIA	

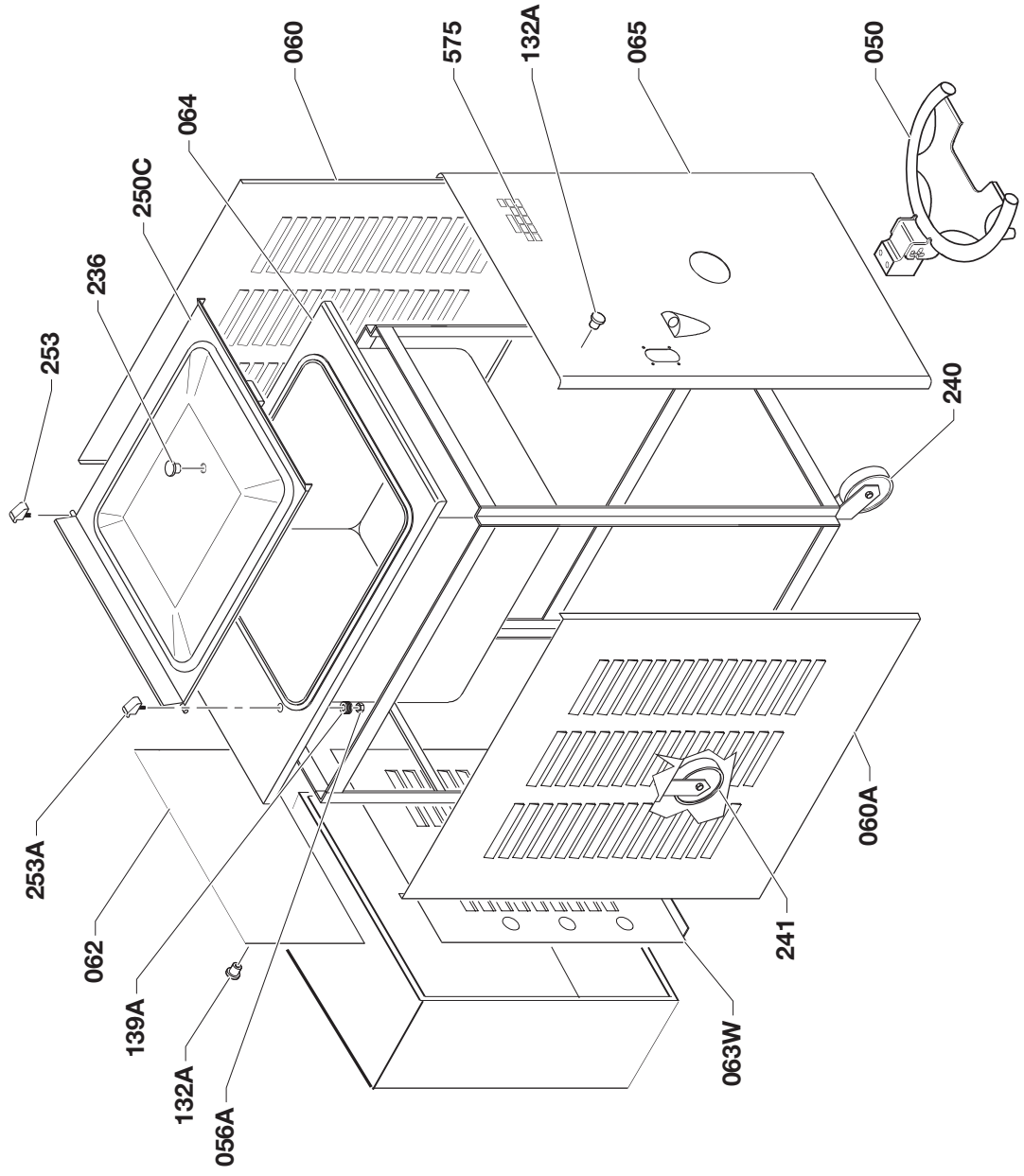
CARROZZERIE
COACHWORK
CARROSSERIE
KAROSSERIEN
CARROCERIAS

NUMERO TAVOLA
NUMBER TABLE
NUMERO DE TABLE
ZAHL TABELLE
NÚMERO DE MESA

REVISIONE
REVIEW
VÉRIFIER
REVISION
REVISAR

01

01



Pos. Pos. Pos. Pos. Pos.	Codice Code Code Code Código	Descrizione	Description	Description	Beschreibung	Descripción	Note Notes Notes Anmerkungen Notas
241	IC591000125	RUOTA 80X25 C/B SF 80/M COD.066115/FER	CASTER-W/O BRAKE	ROUE FIXE	FESTSTEHENDES RAD	RUEDA FIJA	
250C	IC102144540	COPERCHIO VASCA	COVER-TANK MIX STORAGE	COUVERCLE CUVE	BEHÄLTERDECKEL	TAPA CUBA	
253	IC102126023	CERNIERA FISSA DX	HINGE-FIXED RIGHT	CHARNIERE FIXE DROITE	FESTSTEHENDES SCHARNIER RECHTS	BISAGRA FIJA DERECHA	
253A	IC102126024	CERNIERA FISSA SX	HINGE-FIXED LEFT	CHARNIERE FIXE GAUCHE	FESTSTEHENDES SCHARNIER LINKS	BISAGRA FIJA IZQUIERDA	
575	IC573800752	PULSANT.MOD.LCD TERZISTI L=1500 S/ DISTANZ.	PUSH-BUTTON PANEL LCD	CLAVIER LCD	TASTATUR LCD	BOTONERA LCD	

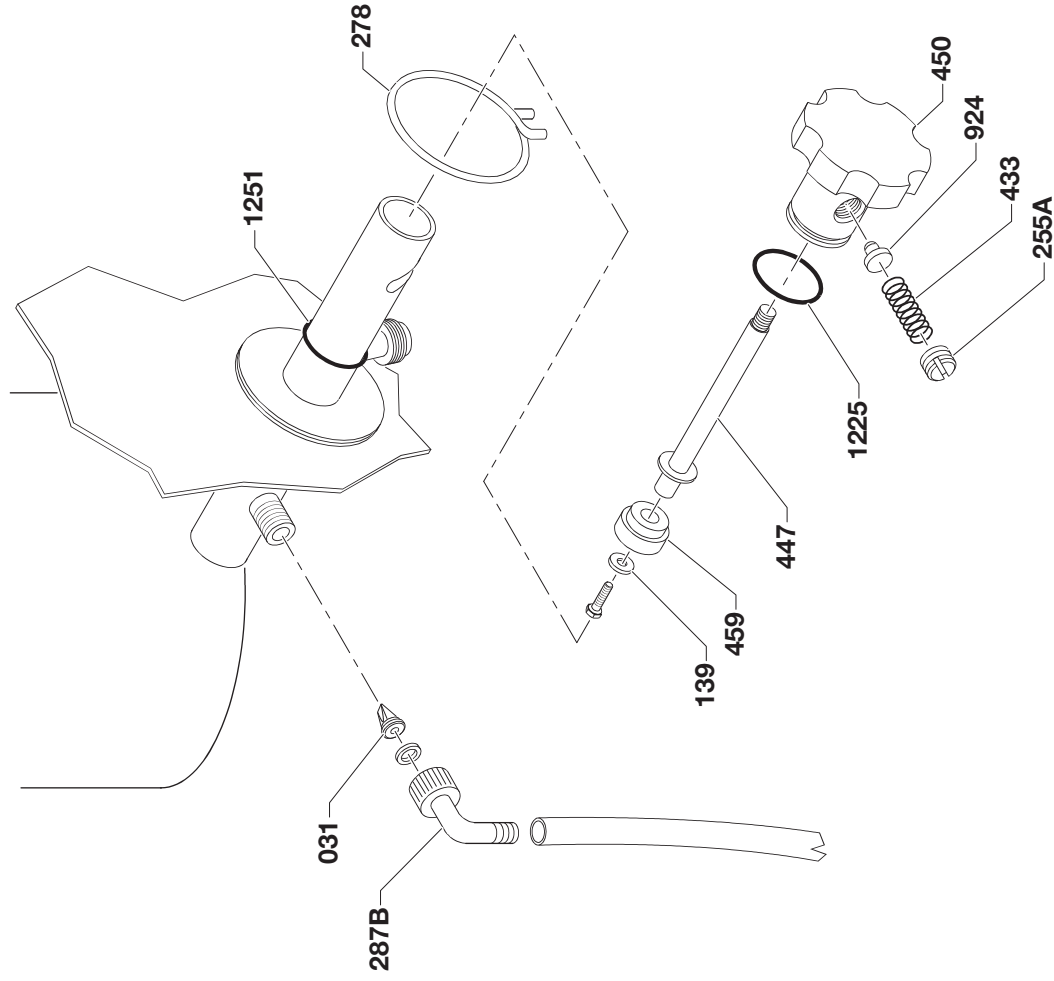
PORTELLO
DOOR
PORTILLON
KLAPPE
PORTILLO

NUMERO TAVOLA
NUMBER TABLE
NUMERO DE TABLE
ZAHL TABELLE
NÚMERO DE MESA

REVISIONE
REVIEW
VÉRIFIER
REVISION
REVISAR

01

02



1/1

Pos. Pos. Pos. Pos. Pos.	Codice Code Code Code Código	Descrizione Description	Description	Description	Beschreibung	Descripción	Note Notes Notes Anmerkungen Notas
031	IC177110350	VALVOLA MEMBRANA SILICONE BIANCO	VALVE-MEMBRANE	SOUPAPE A MEMBRANE	MEMBRANVENTIL	VALVULA DE MEMBRANA	
139	IC173115380	ROSETTA PIANA 6 18 1,5A2	WASHER-FLAT	RONDELLE PLATE	FLACHSCHEIBE	ARANDELA PLANA	
255A	IC171115010	VITE MOLLA NOTTOLINO	SCREW	VIS	SCHRAUBE	TORNILLO	
278	IC178150270	MOLLA FLANGIA RUBINETTO FILO D.2,2	SPRING FLANGE FRONT LID	RESSORT BRIDE ROBINET	FEDER FLANSCH HAHN	MUELLE BRIDA GRIFO	
287B	IC588150332	PORTAGOMMA L PLAST.1/2FXD.12	FITTING HOSE-END PLASTIC	PORTE- CAOUTCHOUC PLASTIQUE	GUMMITÜLLE PLASTK	PORTAGOMA PLÁSTICO	
433	IC178100260	MOLLA C I 1,3 15 40 3,68	SPRIN	RESSORT	FEDER	MUELLE	
447	IC155130310	ASTA	ROD	TIGE	STIFT	VARILLA	
450	IC173105280	POMELLO RUBINETTO	KNOB-FAUCET	POMMEAU ROBINET	GRIFFKNOPF HAHN	POMO DE GRIFO	
459	IC177110370	VALVOLA CHIUSURA RUBINETTO	VALVE-CLOSING FAUCET	SOUPAPE FERMETURE ROBINET	ABSPERRVENTIL HAHN	VALVULA DE CIERRE DE GRIFO	
924	IC155280010	NOTTOLINO	PLUG	CLIQUET	KLINKE	TRINQUETE	
1225	IC541000225	OR 3,53 32,93 NBR 787/70 4131	O-RING	JOINT TORIQUE	O-RING	JUNTA TÓRICA	
1251	IC541000251	OR 2,62 44,12 NB 70 3175	O-RING	JOINT TORIQUE	O-RING	JUNTA TÓRICA	

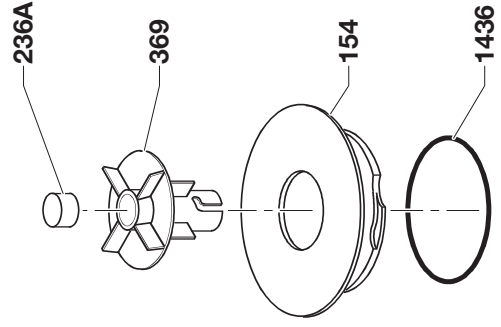
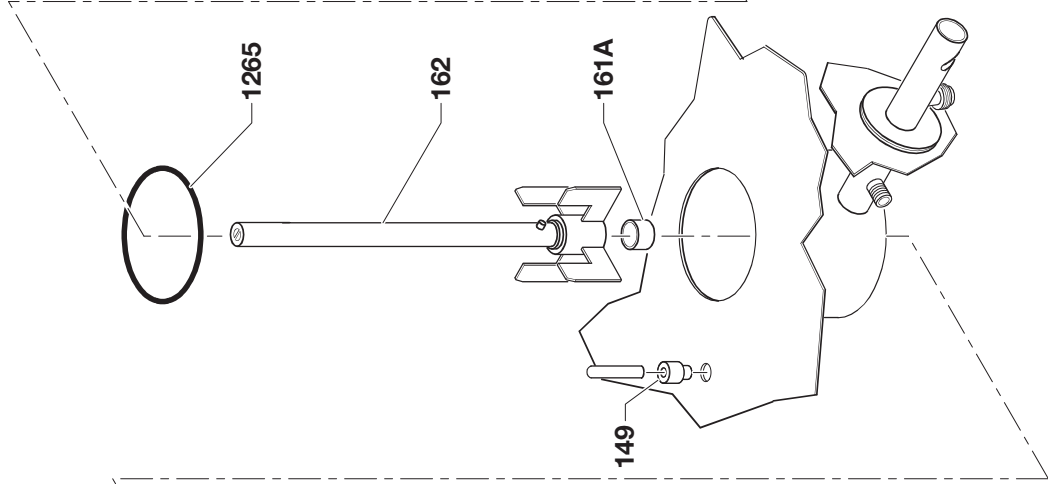
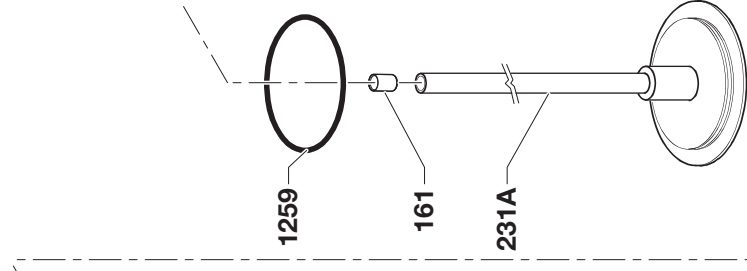
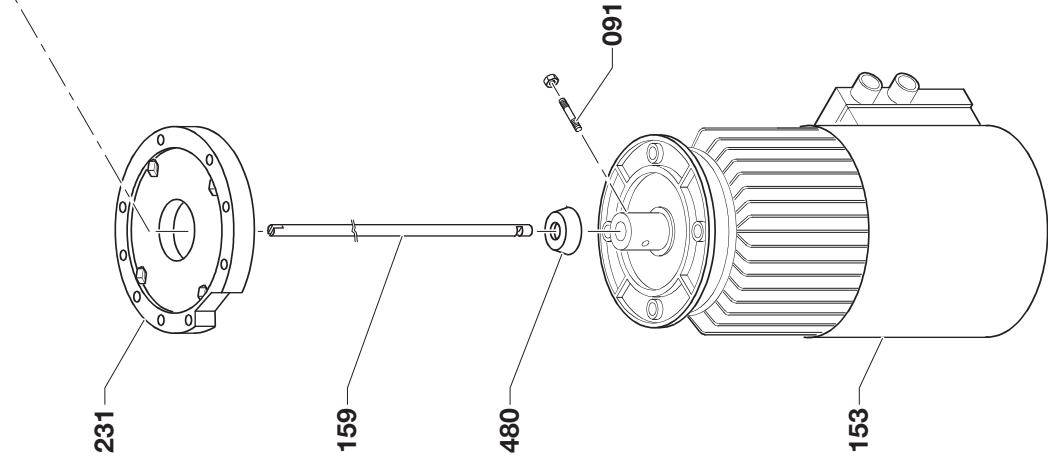
AGITAZIONE
BEATING
AGITATION
RÜHRWERK
AGITACIÓN

NUMERO TAVOLA
NUMBER TABLE
NUMÉRO DE TABLE
ZAHL TABELLE
NÚMERO DE MESA

REVISIONE
REVIEW
VÉRIFIER
REVISION
REVISAR

01

03



Pos. Pos. Pos. Pos. Pos.	Codice Code Code Code Código	Descrizione	Description	Description	Beschreibung	Descrizione	Note Notes Notes Anmerkungen Notas
091	IC175100350	SPINA ALBERO AGITATORE	PIN-BEATER SHAFT	CHEVILLE ARBRE AGITATEUR	STIFT- RÜHRWERKSWELLE	CLAVIJA ÁRBOL AGITADOR	
149	IC158150250	DISTANZIALE PORTA SONDA	SPACER-HOLDER PROBE	ENTRETOISE PORTE- SONDE	DISTANZSTÜCK SONDENHALTER	DISTANCIADOR PORTASONDA	
153	IC552120911	M.CARP.M80P6AM B5 230400/50/3	MOTOR	MOTEUR	MOTOR	MOTOR	
154	IC118160720	COPERCHIO CORPO RUBINETTO	COVER-CHAMBER HEATING/COOLING	COUVERCLE CORPS ROBINET	DECKEL HAHN	TAPA CUERPO GRIFO	
159	IC155103700	ALBERO TRASMISSIONE MOTO	SHAFT-DRIVE	ARBRE DE TRANSMISSION MOUVEMENT	ANTRIEBSWELLE	ÁRBOL DE TRANSMISSION MOVIMIENTO	
161	IC529411003	BOCCOLA IGUS XSM-1214-20	BUSHING	DOUILLE	BUCHSE	CASQUILLO	
161A	IC529411006	BOCCOLA IGUS XSM-2528-30	BUSHING	DOUILLE	BUCHSE	CASQUILLO	
162	IC155104080	VENTOLA AGITAZIONE	PROPELLER PUMP	VENTILATEUR AGITATION	LAUFRAD RÜHRWERK	ASPA AGITACIÓN	
231	IC158300420	FLANGIA MOTORE AGITATORE	FLANGE-MOTOR BEATER	BRIDE MOTEUR AGITATEUR	FLANSCH RÜHRWERKSMOTOR	BRIDA MOTOR AGITADOR	
231A	IC158265590	FLANGIA INFERIORE	FLANGE-LOWER	BRIDE INFERIEURE	FLANSCH UNTEN	BRIDA INFERIOR	
236A	IC588300340	SOTTOTAPPO PLASTICA D.26	PLUG-PLASTIC	BOUCHON COUVERCLE	VERSCHLUSS	TAPON	
369	IC142000430	GIRANTE SUPERIORE	SPINNER-UPPER	PALETTE SUPERIEURE	LAUFRAD OBEN	ROTOR SUPERIOR	
480	IC158130620	ANELLO CENTRIFUGATORE	SLINGER	JOINT CENTRIFUGEUSE	ZENTRIFUGATOR- RING	ANILLO CENTRIFUGADOR	

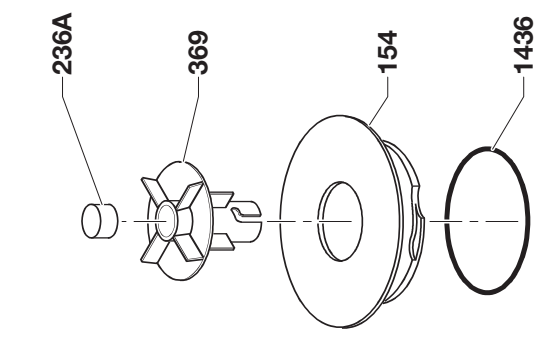
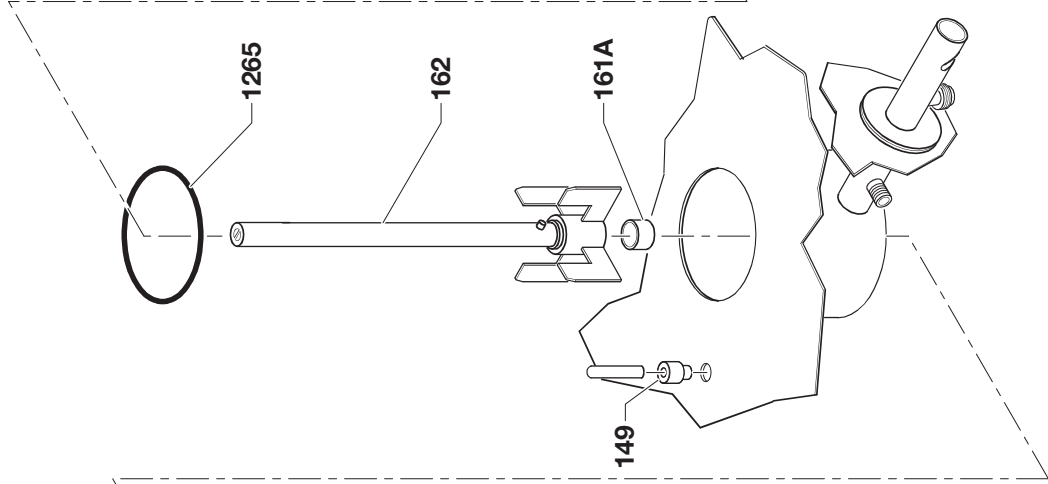
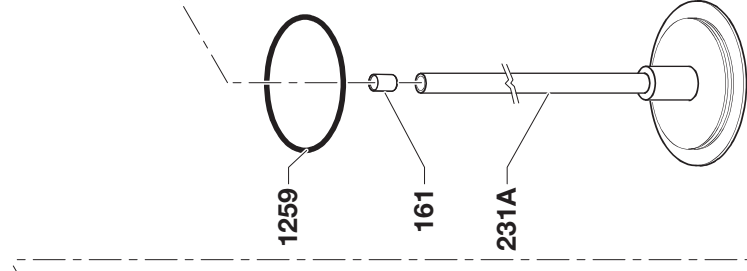
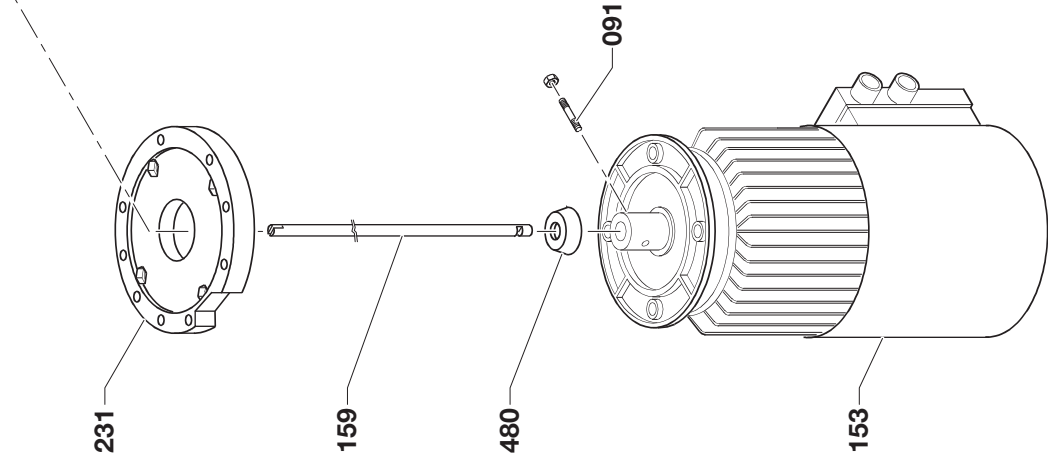
AGITAZIONE
BEATING
AGITATION
RÜHRWERK
AGITACIÓN

NUMERO TAVOLA
NUMBER TABLE
NUMÉRO DE TABLE
ZAHL TABELLE
NÚMERO DE MESA

03

REVISIONE
REVIEW
VÉRIFIER
REVISION
REVISAR

01



Pos. Pos. Pos. Pos. Pos.	Codice Code Code Code Código	Descrizione	Description	Description	Beschreibung	Descripción	Note Notes Notes Anmerkungen Notas
1259	IC541000259	OR 3,53 136,1 SL 40 4537 BIANCO	O-RING	JOINT TORIQUE	O-RING	JUNTA TÓRICA	
1265	IC541000265	OR 7 170,8 SL 40 8675 BIANCO	O-RING	JOINT TORIQUE	O-RING	JUNTA TÓRICA	
1436	IC541000436	OR 3,53 123,4 SL 45 4487 BIANCO	O-RING	JOINT TORIQUE	O-RING	JUNTA TÓRICA	

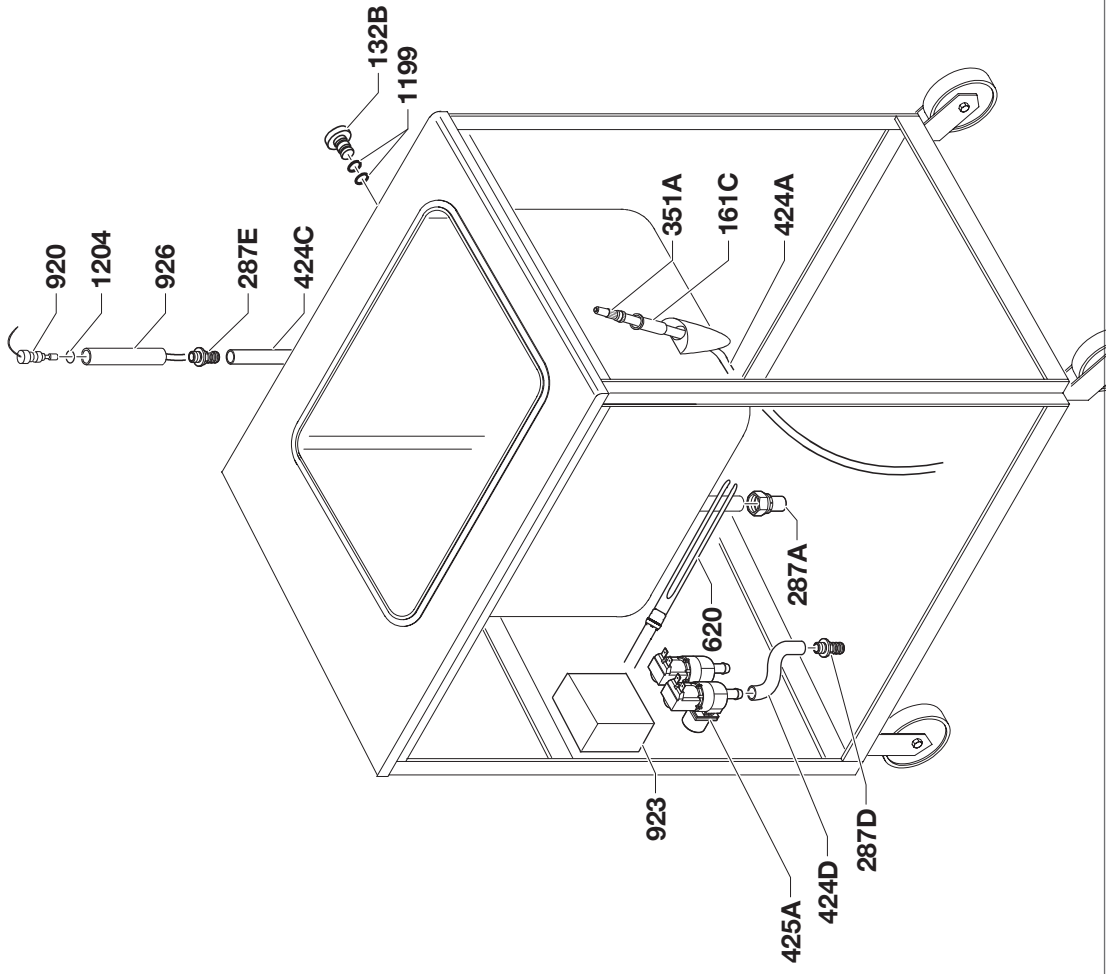
LAVAGGIO
WASHING
LAVAGE
REINIGUNG
LAVADO

NUMERO TAVOLA
NUMBER TABLE
NUMÉRO DE TABLE
ZAHL TABELLE
NÚMERO DE MESA

04

REVISIONE
REVIEW
VÉRIFIER
REVISION
REVISAR

01



Pos. Pos. Pos. Pos. Pos.	Codice Code Code Code Código	Descrizione	Description	Description	Beschreibung	Descripción	Note Notes Notes Anmerkungen Notas
132B	IC173138650	TAPPO SFIATO CONTROVASCA STP.6850	PLUG-SNIFFER BOX TANK	BOUCHON EVENT CONTRE-CUVE	ENTLÜFTUNGSSTOP- FEN KONTERBEHÄL- TER	TAPÓN RESPIRADERO CONTRACUBA	
161C	IC157135150	BOCCOLA SUPPORTO DOCCETTA	BUSHING-SUPPORT DISPENSER WATER	DOUILLE SUPPORT DOUCHE	BUCHSE HALTERUNG BRAUSE	CASQUILLO SOPORTE DUCHA	
287A	IC588150304	PORTAGOMMA D OT 3/8FXD.14	FITTING HOSE-END BRASS	PORTE- CAOUTCHOUC LAIION	GUMMITÜLLE MES- SING	PORTAGOMA LATÓN	
287D	IC588150315	PORTAGOMMA D OT NI 3/8MXD.12	FITTING HOSE-END BRASS	PORTE- CAOUTCHOUC LAIION	GUMMITÜLLE MESSING	PORTAGOMA LATÓN	
287E	IC588150325	PORTAGOMMA D PLAST. 3/4MXD.13	FITTING HOSE-END PLASTIC	PORTE- CAOUTCHOUC PLASTIQUE	GUMMITÜLLE PLASTK	PORTAGOMA PLÁSTICO	
351A	IC157221120	LANCIA EROGAZIONE ACQUA	NOZZLE-WATER	LANCE DE DISTRIBUTION EAU	WASSERROHR	LANZA DISTRIBUCIÓN AGUA	
424A	IC589110031	TUBO DOCCIA MONOFORO MF 3/8" L=2M	HOSE-FLEXIBLE	TUBE FLEXIBLE	SCHLAUCH	TUBO FLEXIBLE	
424C	IC589800104	TUBO PVC D.10/14 TRASPARENTE	HOSE-PVC TRANSPARENT	TUBE PVC TRANSPARENT	SCHLAUCH-PVC DURCHSICHTIGES	TUBO PVC TRANSPARENTE	
424D	IC589800129	TUBO PLASTICA D.10/16 RINFORZATO- ARIANNA	TUBE-PLASTIC REINFORCED	TUBE PLASTIQUE RENFORCÉ	KUNSTSTOFFROHR VERSTÄRKTER	TUBO PLÁSTICOR- ENFORZADO	

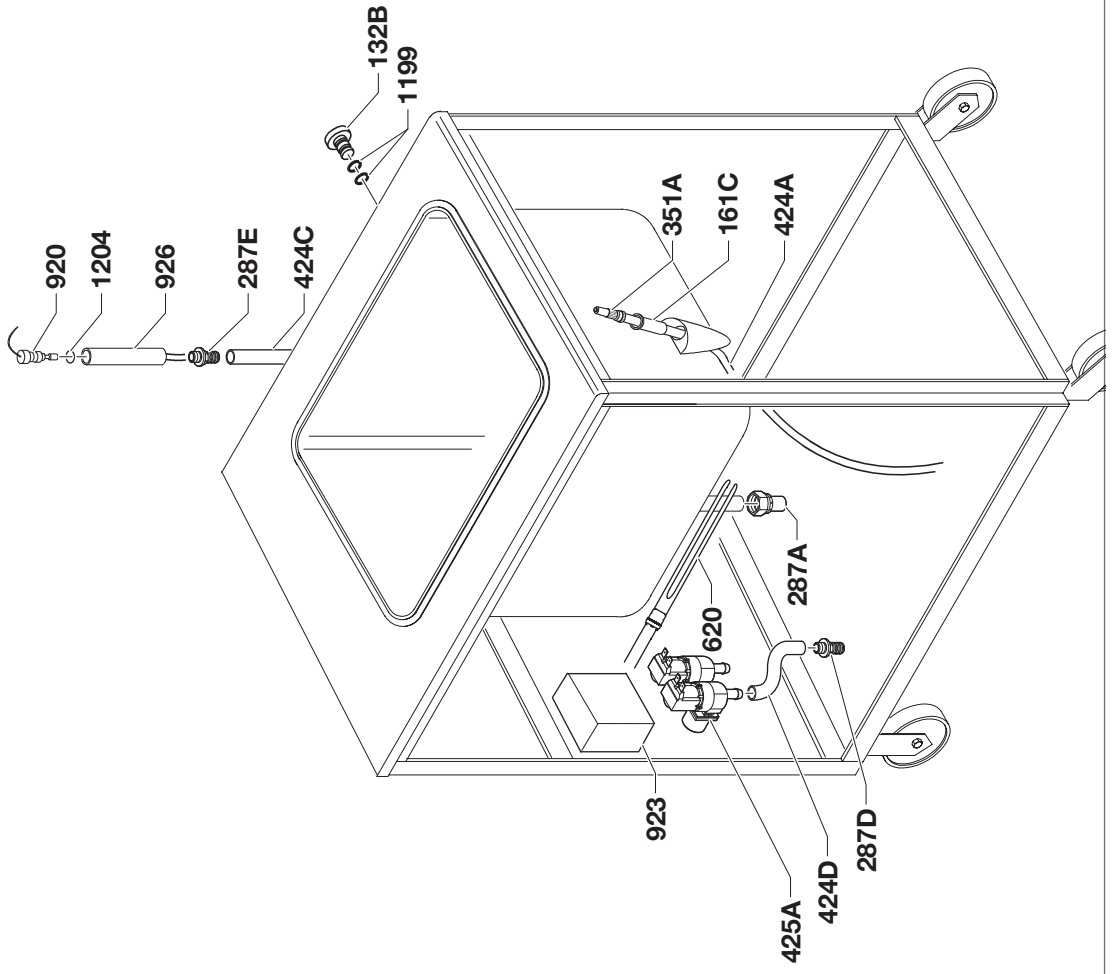
LAVAGGIO
WASHING
LAVAGE
REINIGUNG
LAVADO

NUMERO TAVOLA
NUMBER TABLE
NUMÉRO DE TABLE
ZAHL TABELLE
NÚMERO DE MESA

04

REVISIONE
REVIEW
VÉRIFIER
REVISION
REVISAR

01



Pos. Pos. Pos. Pos. Pos.	Codice Code Code Code Código	Descrizione	Description	Description	Beschreibung	Descripción	Note Notes Notes Anmerkungen Notas
425A	IC581300317	ELETTROV.ELBI 215206 24V DOPPIA 90°+RID.	VALVE SOLENOID WATER	ELECTROVANNE A EAU	MAGNETVENTIL WASSER	ELECTROVÁLVULA AGUA	
620	IC574400132	RISCALDATORE RICA 890278 2200W 220V	HEATING ELEMENT	RESISTANCE ELECTRIQUE	WIDERSTAND	RESISTENCIA ELÉCTRICA	
920	IC571201062	SENSORE DI LIVELLO FIAT TIPO 29.246.000	SENSOR-LEVEL	CAPTEUR NIVEAU	FÜLLSTANDSEN- SOR	SENSOR NIVEL	
923	IC571201088	INVERTER ABB ACS55-01E-04A3-2 0,75KW/220V	INVERTER	INVERTER	INVERTER	INVERTER	
926	IC157230100	TUBO LIVELLO GLICOLE	TUBE-GLYCOL LEVEL	TUBE NIVEAU GLYCOL	FÜLLSTANDS- SCHLAUCH GLYKOL	TUBO DE NIVEL GLICOL	
1199	IC541000199	OR 4 8 NB 60 435 85- 150	O-RING	JOINT TORIQUE	O-RING	JUNTA TÓRICA	
1204	IC541000204	OR 1,78 17,17 NB 70 2068	O-RING	JOINT TORIQUE	O-RING	JUNTA TÓRICA	

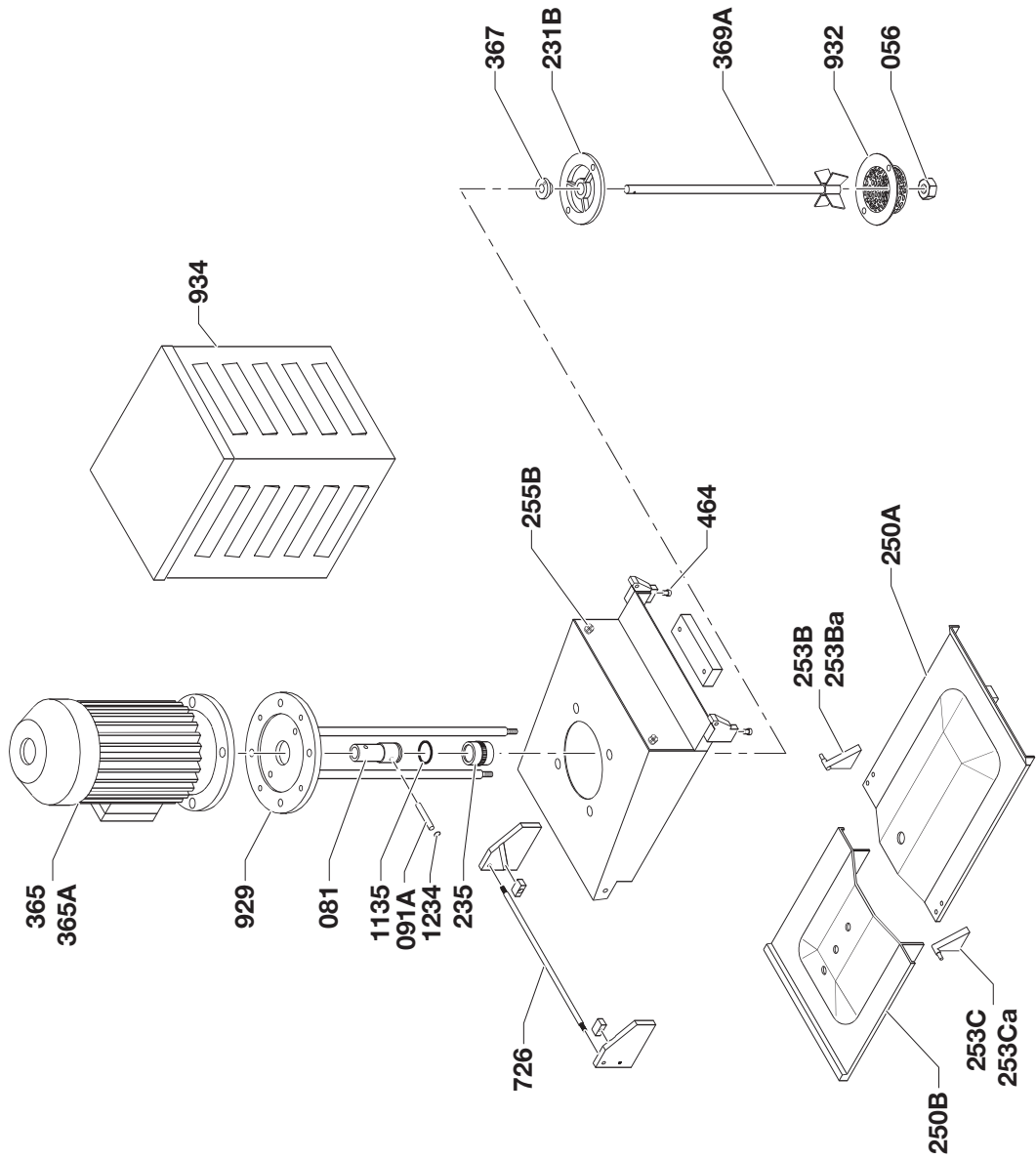
EMULSIONATORE
DIFFUSOR
EMULSEUR
EMULGATOR
EMULSIONADOR

NUMERO TAVOLA
NUMBER TABLE
NUMÉRO DE TABLE
ZAHL TABELLE
NÚMERO DE MESA

REVISIONE
REVIEW
VÉRIFIER
REVISION
REVISAR

05

01



Pos. Pos. Pos. Pos. Pos.	Codice Code Code Code Código	Descrizione	Description	Description	Beschreibung	Descripción	Note Notes Notes Anmerkungen Notas
056	IC171145360	DADO EMULSIONATORE	NUT	ECROU	MUTTER	TUERCA	
081	IC157150350	MOZZO	HUB	MOYEU	NABE	CUBO	
091A	IC175100500	SPINA GIRANTE CON OR	PIN-SPINNER W/O- RING	CHEVILLE PALETTE MELANGER+JOINT TORIQUE	STIFT-LAUFRAD MIT O-RING	CLAVIJA ROTOR CON JUNTA TÓRICA	
231B	IC158265420	FLANGIA INFERIORE EMULSIONATORE	FLANGE-LOWER	BRIDE INFERIEURE	FLANSCH UNTEN	BRIDA INFERIOR	
235	IC161155900	COPRIALBERO EMULSIONATORE	GUARD	PROTECTION	SCHUTZABDECKUNG	PROTECCION	
250A	IC102144910	SEMICOPERCHIO ANTERIORE BIANCO	HALF-COVER FRONT	SEMI-COUCVERCLE AVANT	VORDERE DECKELHÄLFTE	SEMITAPA DELANTERA	
250B	IC102144600	SEMICOPERCHIO POSTERIORE BIANCO	HALF-COVER REAR	SEMI-COUCVERCLE ARRIERE	HINTERE DECKELHÄLFTE	SEMITAPA TRASERA	
253B	IC102126020	CERNIERA DX	HINGE-RIGHT	CHARNIERE DROITE	SCHARNIER RECHTS	BISAGRA DERECHA	
253Ba	IC102127970	CERNIERA DX	HINGE-RIGHT	CHARNIERE DROITE	SCHARNIER RECHTS	BISAGRA DERECHA	
253C	IC102126021	CERNIERA SX	HINGE-LEFT	CHARNIERE GAUCHE	SCHARNIER LINKS	BISAGRA IZQUIERDA	
253Ca	IC102127980	CERNIERA SX	HINGE-LEFT	CHARNIERE GAUCHE	SCHARNIER LINKS	BISAGRA IZQUIERDA	
255B	IC511560510	INSERTO FILETTATO EOI M 5X 10 A2	STUD	ELEMENT FILETEE	GEWINDEEINSATZ	INSERTO ROSCADO	
365	IC552121015	M.CARP. M80A2-B5 230400/50/3	MOTOR	MOTEUR	MOTOR	MOTOR	
365A	IC552121040	M.CARP. M80A2-B5 220380/60/3	MOTOR	MOTEUR	MOTOR	MOTOR	

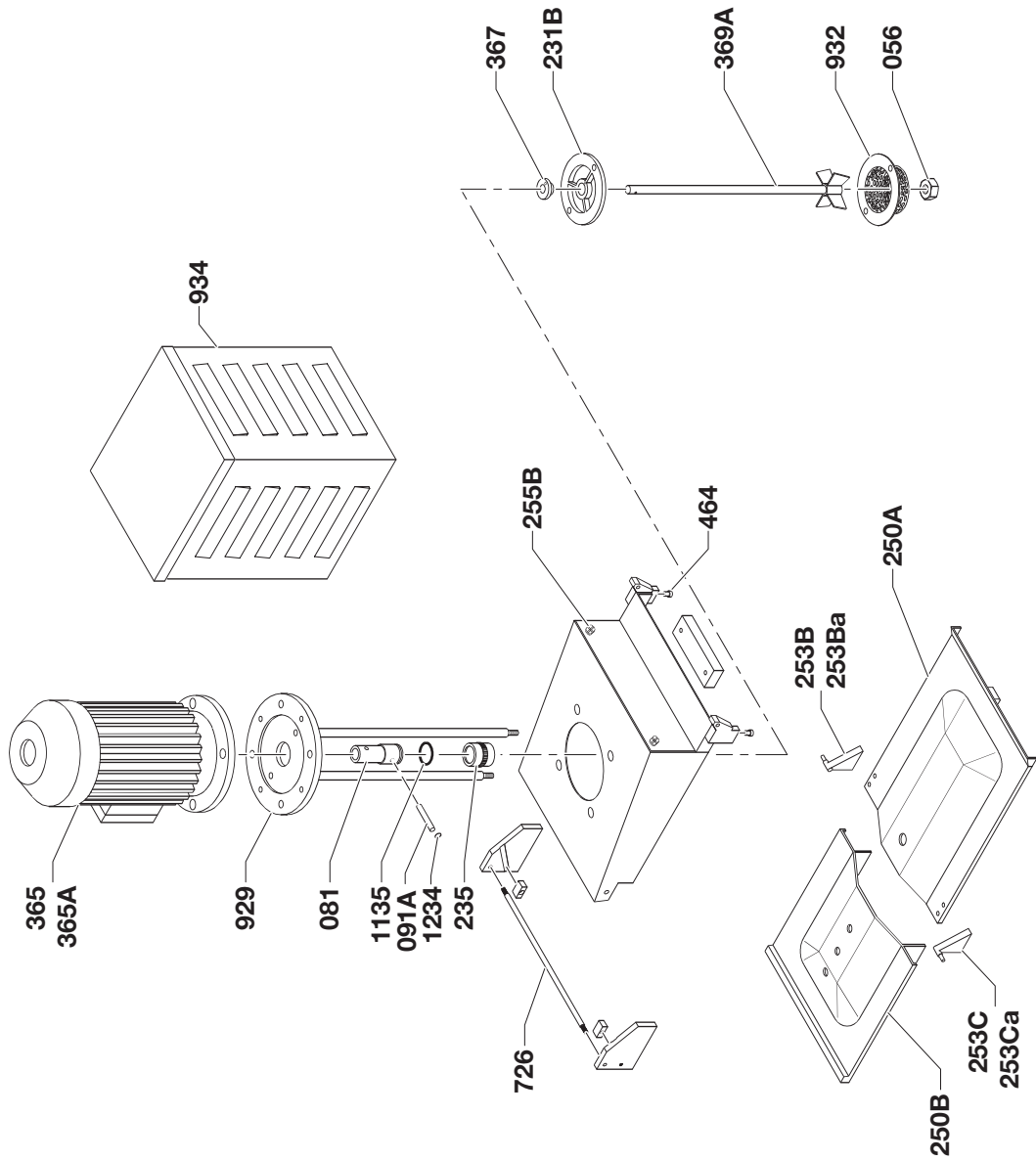
EMULSIONATORE
DIFFUSOR
EMULSEUR
EMULGATOR
EMULSIONADOR

NUMERO TAVOLA
NUMBER TABLE
NUMÉRO DE TABLE
ZAHL TABELLE
NÚMERO DE MESA

REVISIONE
REVIEW
VÉRIFIER
REVISION
REVISAR

05

01



Pos. Pos. Pos. Pos. Pos.	Codice Code Code Code Código	Descrizione	Description	Description	Beschreibung	Descripción	Note Notes Notes Anmerkungen Notas
367	IC157135650	BOCCOLA GIRANTE EMULSIONATORE	BUSHING	DOUILLE PALETTE A MELANGER	BUCHSE LAUFRAD	CASQUILLO GIRATORIO	
369A	IC142000850	GIRANTE COMPLETA MODULO 100	STIRRER ASSEMBLY	PALETTE A MEL. COMPLETE	LAUFRAD KOMPL.	ROTOR COMPLETO	
464	IC109110400	PIEDINO SUPPORTO EMULSIONATORE	FOOT	PIED	FUSS	PIE	
726	IC155162250	PERNO	PIN	BROCHE	STIFT	PERNO	
929	IC142065950	CORPO EMULSIONATORE MOD.100	BODY DIFFUSOR	CORPS EMULSEUR	GEHÄUSE EMULGATOR	CUERPO EMULSIONADOR	
932	IC118305450	TESTA DISINTEGRATRICE A FORI RETTANGOL.	HEAD DISINTEGRATING	TETE DESINTEGRATEUR	DESINTEGRATOR- KOPF	CABEZA DESINTEGRADORA	
934	IC158236180	CARTER MOTORE	CASING-MOTOR	CARTER MOTEUR	SCHUTZABDECKUNG MOTOR	CÁRTER MOTOR	
1135	IC541000135	OR 2,62 23,81 NB 70 132	O-RING	JOINT TORIQUE	O-RING	JUNTA TÓRICA	
1234	ic541000234	OR 1,78 1,78 NB 70 2007	O-RING	JOINT TORIQUE	O-RING	JUNTA TÓRICA	

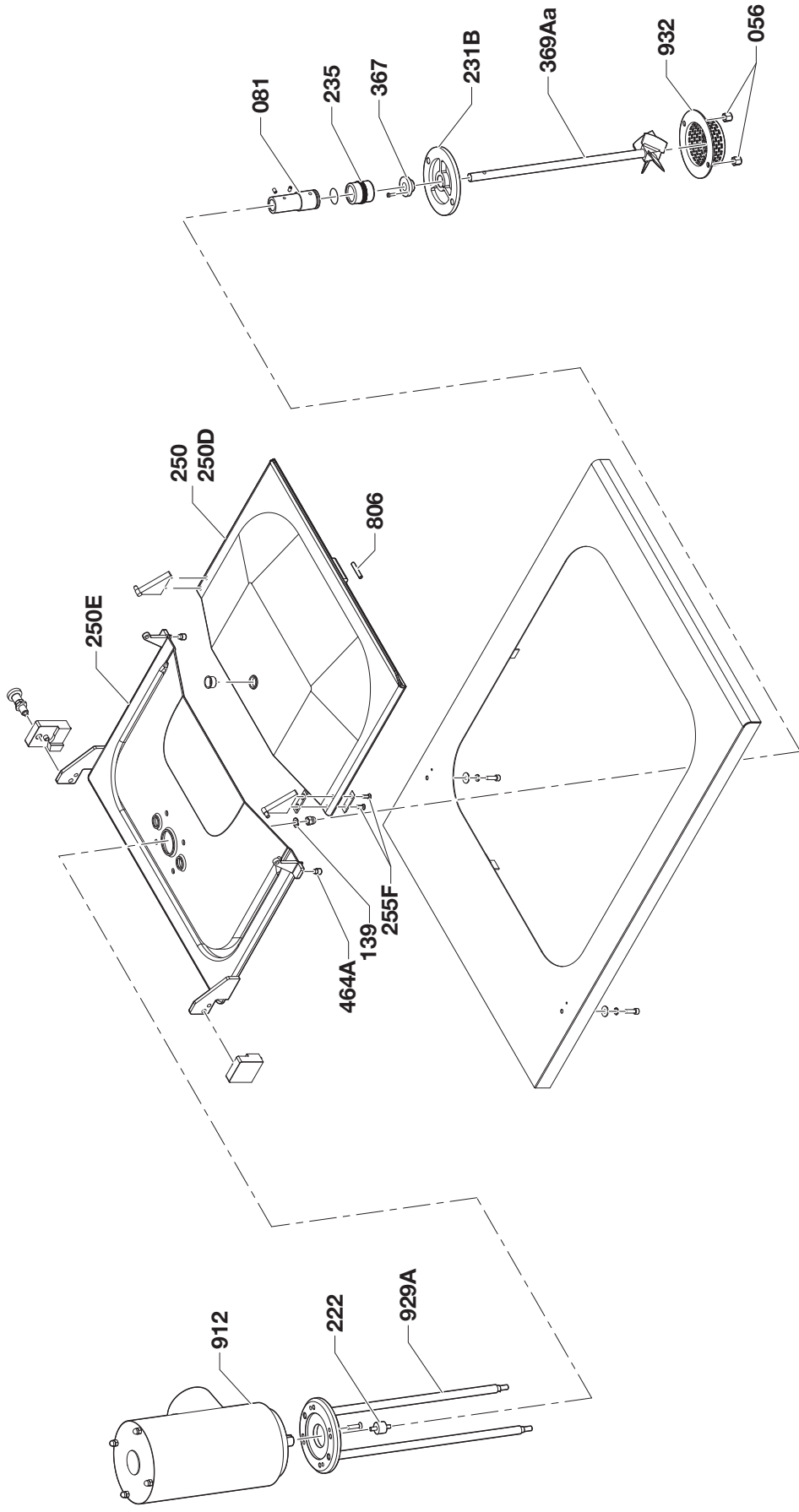
EMULSIONATORE EVO
DIFFUSOR EVO
EMULSEUR EVO
EMULGATOR EVO
EMULSIONADOR EVO

NUMERO TAVOLA
NUMBER TABLE
NUMÉRO DE TABLE
ZAHL TABELLE
NÚMERO DE MESA

05-A

REVISIONE
REVIEW
VÉRIFIER
REVISION
REVISAR

01



Pos. Pos. Pos. Pos. Pos.	Codice Code Code Code Código	Descrizione	Description	Description	Beschreibung	Descripción	Note Notes Notes Anmerkungen Notas
056	IC171145360	DADO EMULSIONATORE	NUT	ECROU	MUTTER	TUERCA	
081	IC157150350	MOZZO	HUB	MOYEU	NABE	CUBO	
139	IC173115380	ROSETTA PIANA 6 18 1,5 A2	WASHER-FLAT	RONDELLE PLATE	FLACHSCHEIBE	ARANDELA PLANA	
222	IC593000137	ANTIVIBRANTE 2M 30x15 INOX M8x12 60SH	VIBRATION ABSORBER	ANTI-VIBRATION	VIBRATIONSÄMP- FER	ANTIVIBRADOR	
231B	IC158265420	FLANGIA INFERIORE EMULSIONATORE	FLANGE-LOWER	BRIDE INFERIEURE	FLANSCH UNTEN	BRIDA INFERIOR	
235	IC161155900	COPRIALBERO EMULSIONATORE	GUARD	PROTECTION	SCHUTZABDECKUNG	PROTECCION	
250	IC102144470	COPERCHIO VASCA	COVER-TANK MIX STORAGE	COUVERCLE CUVE	BEHÄLTERDECKEL	TAPA CUBA	
250D	IC102144840	SEMICOPERCHIO VASCA ANTERIORE	HALF-COVER FRONT	SEMI-COUVERCLE AVANT	VORDERE DECKELHÄLFTE	SEMITAPA DELANTERA	
250E	IC102305230	SEMICOPERCHIO POSTERIORE COMPLETO	HALF-COVER REAR COMPLET	SEMI-COUVERCLE ARRIERE COMPLETE	HINTERE DECKELHÄLFTE KOMPL.	SEMITAPA TRASERA COMPLETO	
255F	IC511530514	VITE TSP M 5X 14 UNI6109 A2	SCREW	VIS	SCHRAUBE	TORNILLO	
367	IC157135650	BOCCOLA GIRANTE EMULSIONATORE	BUSHING	DOUILLE PALETTE A MELANGER	BUCHSE LAUFRAD	CASQUILLO GIRATORIO	
369Aa	IC142000880	GIRANTE COMPLETA	SPINNER ASSEMBLY	PALETTE A MELANGER COMPLETE	LAUFRAD KOMPL.	ROTOR COMPLETO	

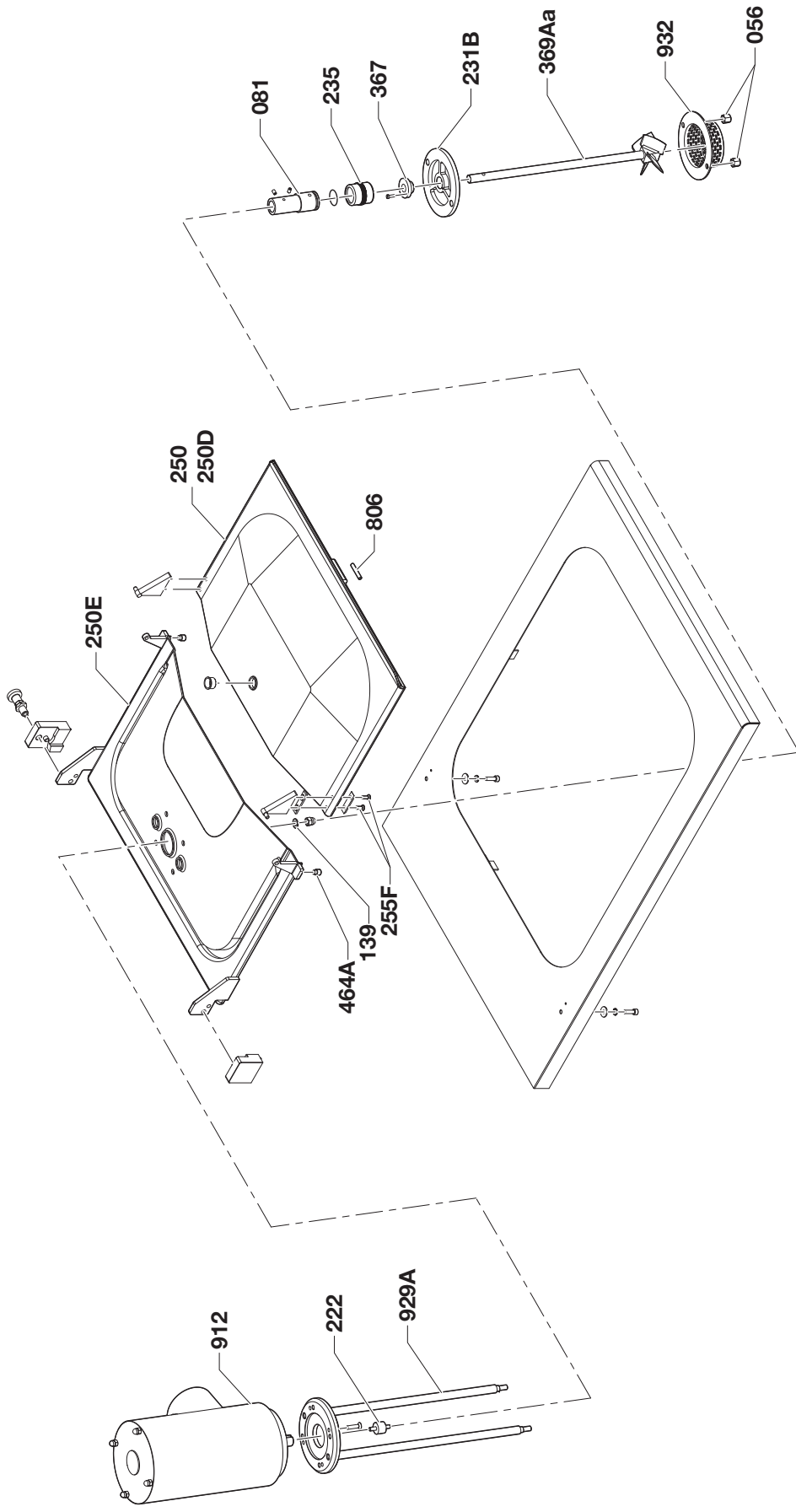
EMULSIONATORE EVO
DIFFUSOR EVO
EMULSEUR EVO
EMULGATOR EVO
EMULSIONADOR EVO

NUMERO TAVOLA
NUMBER TABLE
NUMÉRO DE TABLE
ZAHL TABELLE
NÚMERO DE MESA

05-A

REVISIONE
REVIEW
VÉRIFIER
REVISION
REVISAR

01



Pos. Pos. Pos. Pos. Pos.	Codice Code Code Code Código	Descrizione	Description	Description	Beschreibung	Descripción	Note Notes Notes Anmerkungen Notas
464A	IC109110410	PIEDINO SUPPORTO EMULSIONATORE	FOOT	PIED	FUSS	PIE	
806	IC570300210	MAGNETE PERMANENTE ALCOMAX D.6X35	PERMANENT MAGNET	AIMANT	PERMANENTMAG- NET	MAGNETO PERMANENTE	
912	IC551021010	M.MARLIN ST.MSS80A-2 B14 230400/50/3	MOTOR	MOTEUR	MOTOR	MOTOR	
929A	IC142065980	CORPO EMULSIONATORE	BODY DIFFUSOR	CORPS EMULSEUR	GEHÄUSE EMULGATOR	CUERPO EMULSIONADOR	
932	IC118305450	TESTA DISINTEGRATRICE A FORI RETTANGOL.	HEAD DISINTEGRATING	TETE DESINTEGRATEUR	DESINTEGRATOR- KOPF	CABEZA DESINTEGRADORA	

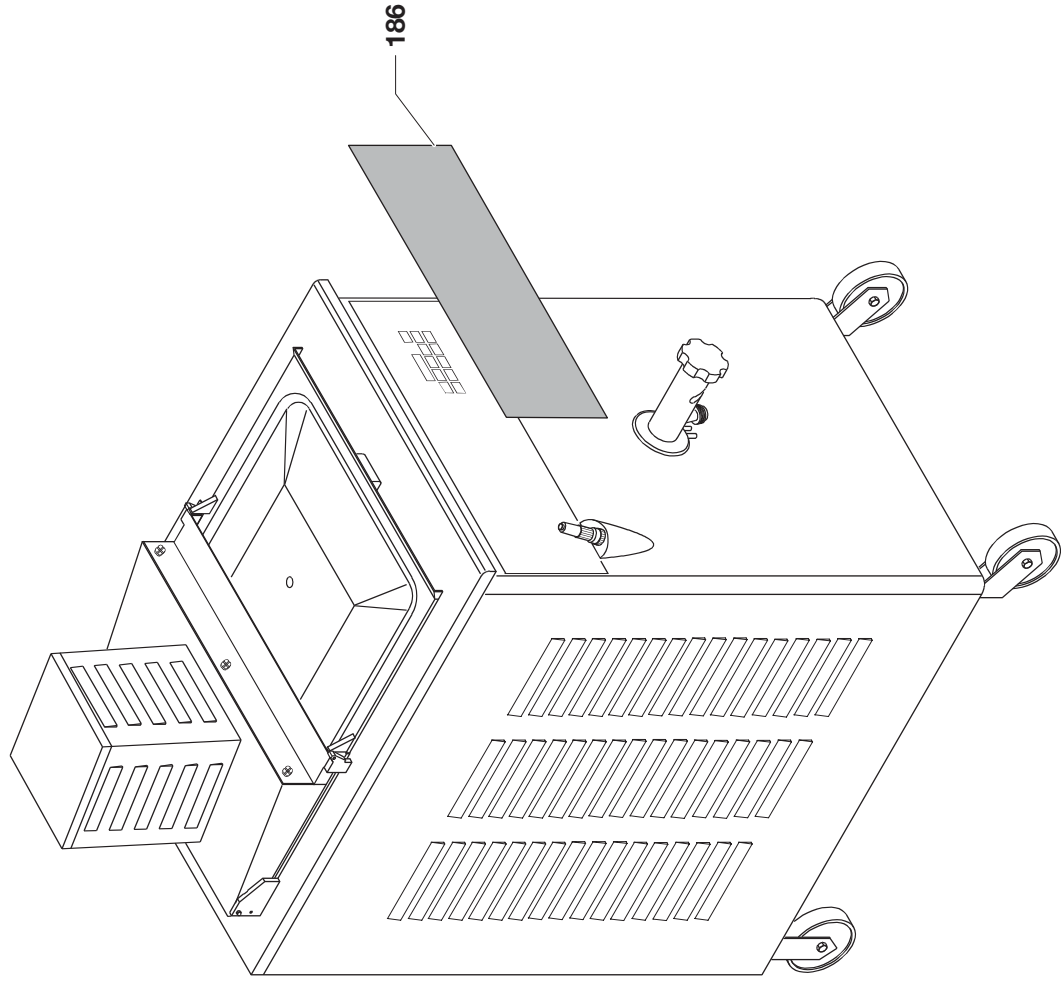
DECALCOMANIE
DECALS
DECALCOMANIES
ABZIEHBILDER
CALCOMANÍAS

NUMERO TAVOLA
NUMBER TABLE
NUMÉRO DE TABLE
ZAHL TABELLE
NÚMERO DE MESA

REVISIONE
REVIEW
VÉRIFIER
REVISION
REVISAR

06

01

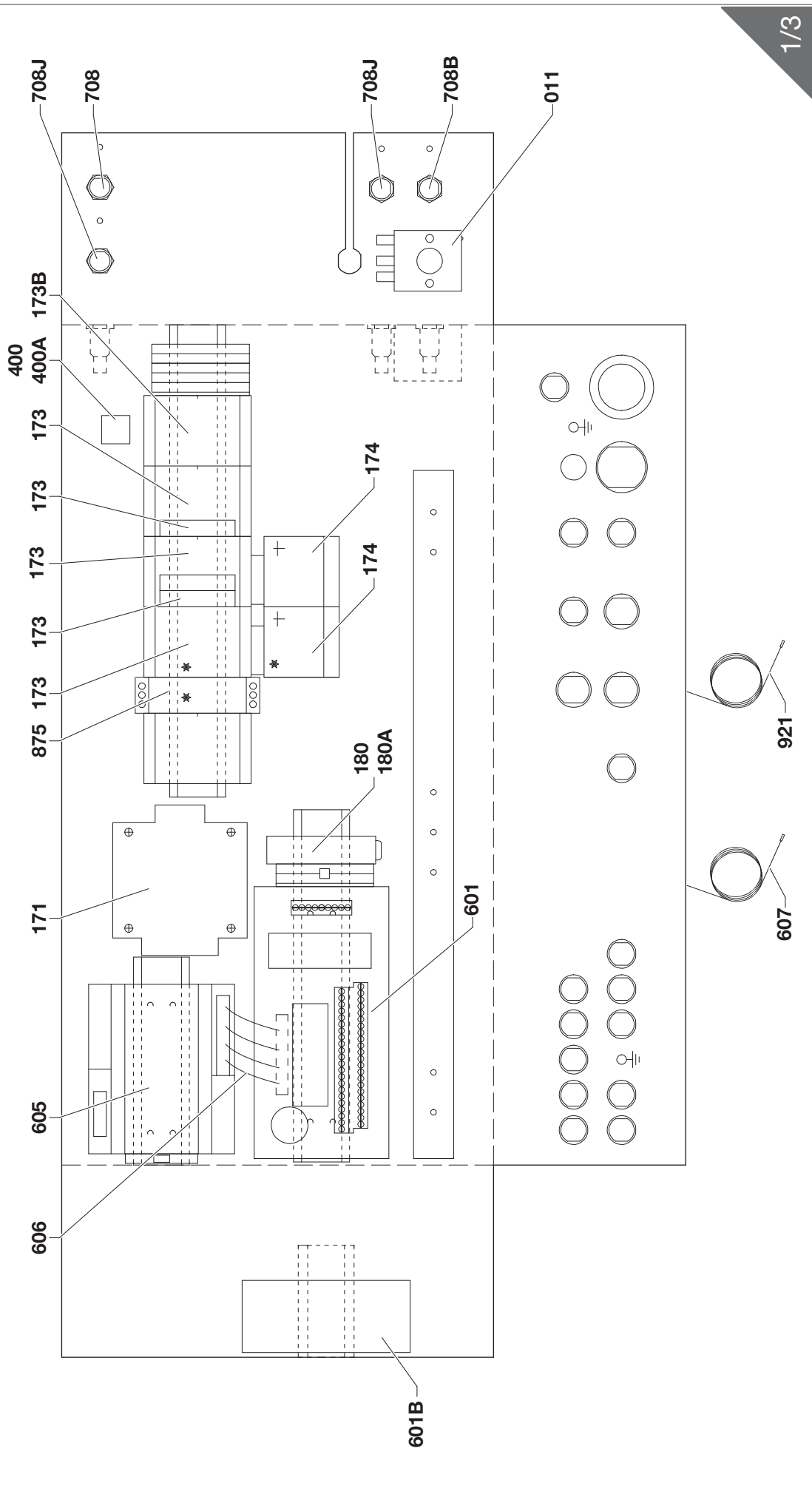


Pos.	Codice Code Code Code Código	Descrizione	Description	Description	Beschreibung	Descripción	Note Notes Notes Anmerkungen Notas
186	IC192117590	DECALC.FRONTALE PSK KEL 125/S	DECAL -FRONT	DECALCOMANIE FRONTALE	AUFKLEBER FRONTSEITE	CALCOMANÍA FRONTAL	

CASSETTA ELETRICA
ELECTRICAL BOX
BOÎTE ÉLECTRIQUE
ELEKTROKASTEN
CAJA ELÉCTRICA

07
NUMERO TAVOLA
NUMBER TABLE
NUMÉRO DE TABLE
ZAHL TABELLE
NÚMERO DE MESA

01
REVISIONE
REVIEW
VÉRIFIER
REVISION
REVISAR

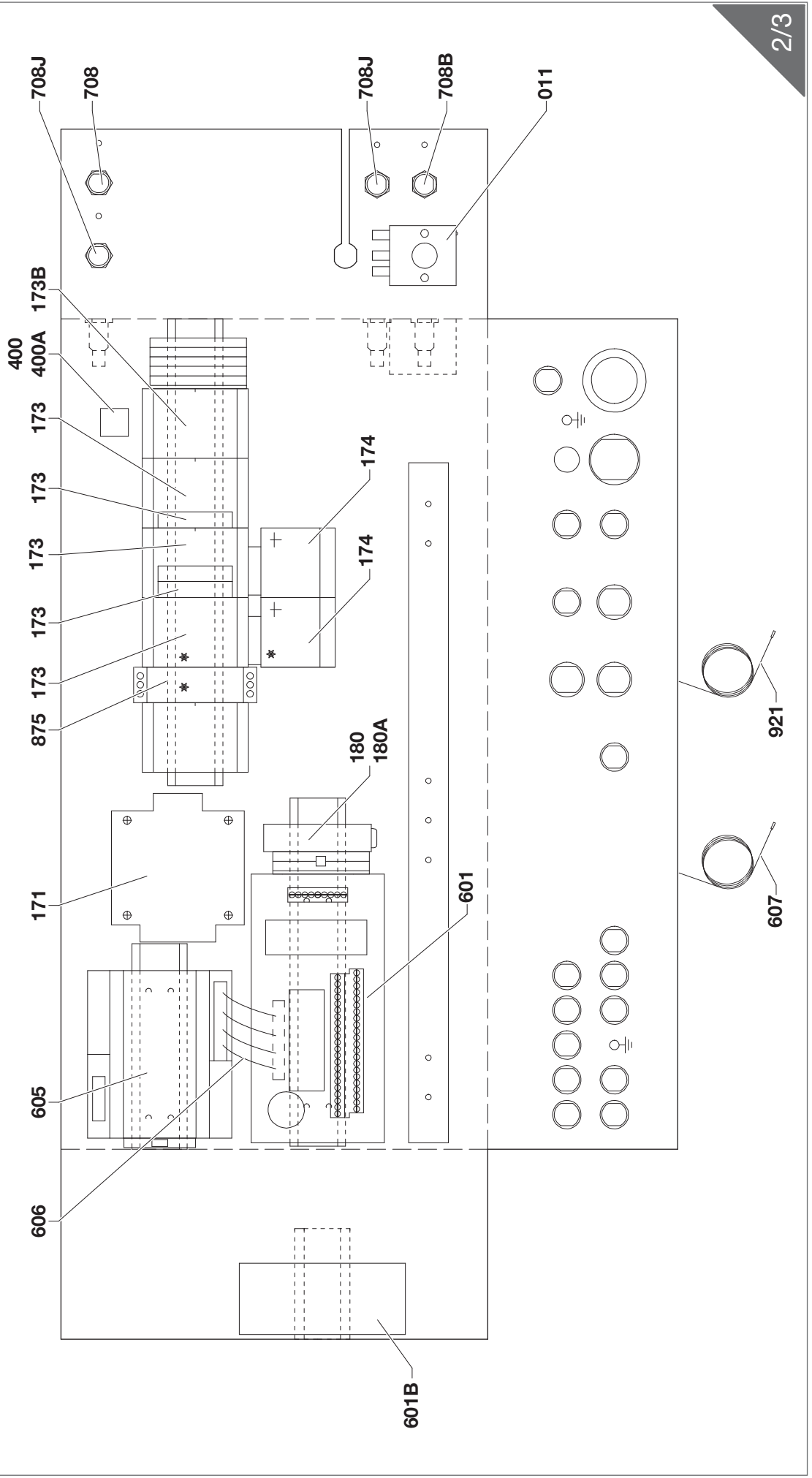


Pos. Pos. Pos. Pos. Pos.	Codice Code Code Code Código	Descrizione	Description	Description	Beschreibung	Descripción	Note Notes Notes Anmerkungen Notas
011	IC582100167	TERMOSTATO IMIT TR2 TARAT.120°C	THERMOSTAT	THERMOSTAT	THERMOSTAT	TERMOSTATO	
171	IC574100328	TRAS.F.1 ~ 100VA 0-24/8,5-0-8,5/0- 12	TRANSFORMER	TRANSFORMAT.	TRANSFORMAT.	TRANSFORMAD.	
173	IC571100100	CONTATTORE ABB AS12-30-10-20 M 24V	CONTACTOR	CONTACTEUR	SCHÜTZ	CONTACTOR	
173	IC571100124	CONTATTORE ABB AS12-30-01-20M 24V	CONTACTOR	CONTACTEUR	SCHÜTZ	CONTACTOR	
173	IC571100128	CONTATTORE ABB AF26-30-00-11 24V	CONTACTOR	CONTACTEUR	SCHÜTZ	CONTACTOR	
173	IC571100230	CONTATTORE A26- 30-1024/50-60	CONTACTOR	CONTACTEUR	SCHÜTZ	CONTACTOR	
173	IC571100228	CONTATTORE A12- 30-1024/50-60	CONTACTOR	CONTACTEUR	SCHÜTZ	CONTACTOR	
173	IC571100229	CONTATTORE A16- 30-1024/50-60	CONTACTOR	CONTACTEUR	SCHÜTZ	CONTACTOR	
173	IC571110004	CONTATTO AUSILIARE ABB CA3-01	CONTACTOR	CONTACTEUR	SCHÜTZ	CONTACTOR	
173	IC571110007	CONTATTO AUSILIARE ABB CAL4-11	CONTACTOR	CONTACTEUR	SCHÜTZ	CONTACTOR	

CASSETTA ELETRICA
ELECTRICAL BOX
BOÎTE ÉLECTRIQUE
ELEKTROKASTEN
CAJA ELÉCTRICA

07
NUMERO TAVOLA
NUMBER TABLE
NUMÉRO DE TABLE
ZÁHL. TABELLE
NÚMERO DE MESA

01
REVISIONE
REVIEW
VÉRIFIER
REVISION
REVISAR



Pos. Pos. Pos. Pos. Pos.	Codice Code Code Code Código	Descrizione	Description	Description	Beschreibung	Descripción	Note Notes Notes Anmerkungen Notas
173	IC571110020	CONTATTO AUSILIARIO CAL5-11 1NA+1NC	CONTACTOR	CONTACTEUR	SCHÜTZ	CONTACTOR	
174	IC571200104	TERMICO ABB T16-1,7 (1,30÷1,70)	THERMAL RELAY	RELAIS TERMIQUE	THERMORELAIS	RELÉ TÉRMICO	
174	IC571200106	TERMICO ABB T16-3,1 (2,30÷3,10)	THERMAL RELAY	RELAIS TERMIQUE	THERMORELAIS	RELÉ TÉRMICO	
174	IC571200111	TERMICO ABB T16-13 (10,0÷13,0)	THERMAL RELAY	RELAIS TERMIQUE	THERMORELAIS	RELÉ TÉRMICO	
174	IC571200115	TERMICO ABB T42-29 (24,0÷29,0)	THERMAL RELAY	RELAIS TERMIQUE	THERMORELAIS	RELÉ TÉRMICO	
174	IC571200207	TERMICO ABB TA25 DU 1,7÷2,4A	THERMAL RELAY	RELAIS TERMIQUE	THERMORELAIS	RELÉ TÉRMICO	
174	IC571200209	TERMICO ABB TA25 DU 2,8÷4A	THERMAL RELAY	RELAIS TERMIQUE	THERMORELAIS	RELÉ TÉRMICO	
174	IC571200217	TERMICO ABB TA25 DU 10÷14A	THERMAL RELAY	RELAIS TERMIQUE	THERMORELAIS	RELÉ TÉRMICO	
174	IC571200219	TERMICO ABB TA25 DU 18÷25A	THERMAL RELAY	RELAIS TERMIQUE	THERMORELAIS	RELÉ TÉRMICO	
180	IC571200545	RELÉ FINDER 40.31 24V AC	RELAY	RELAIS	RELAIS	RELE'	
180A	IC571200548	RELÉ FINDER 40.52 24V AC	RELAY	RELAIS	RELAIS	RELE'	
400	IC574305007	FILTRO 1 ~ 0,1µF 1000HM UL MKP61R(C40)	NOISE SUPPRESSOR	FILTRE ANTIPARASITES	ENTSTÖRFILTER	FILTRO ANTIINTERFERENCIAS	

Pos. Pos. Pos. Pos. Pos.	Codice Code Code Code Código	Descrizione	Description	Description	Beschreibung	Descrizione	Note Notes Notes Anmerkungen Notas
601	IC573800139	SCHEDA 8 RELE'S/ BEEP MOPRO R&D	ELECTRONIC BOARD	CARTE ELECTRONIQUE	ELEKTRONISCHE KARTE	PLACA ELECTRÓNICA	
601B	IC573800162	SCHEDA BCD-DAC 3BIT	ELECTRONIC BOARD	CARTE ELECTRONIQUE	ELEKTRONISCHE KARTE	PLACA ELECTRÓNICA	
605	IC573700103	CENTRAL. SUPERMOPRO	ELECTRONIC BOARD	CARTE ELECTRONIQUE	ELEKTRONISCHE KARTE	PLACA ELECTRÓNICA	
606	IC577400503	CAVO FLAT SFT DGT 0,3m	WIRE-FLAT	CÂBLE PLAT	FLACHKABEL	CABLE PLANO	
607	IC572910101	SONDA ELIWELL PTC SN950201 CAVO SILIC.2m	PROBE	SONDE	SONDE	SONDA	
708	IC576200286	FUSIBILE OMEGA SF 5X20 F 15A 250V	FUSE	FUSIBLE	SCHMELZSICHE- RUNG	FUSIBLE	
708B	IC576200294	FUSIBILE OMEGA ST 5X20 T 5A 250V	FUSE	FUSIBLE	SCHMELZSICHE- RUNG	FUSIBLE	
708J	IC576200293	FUSIBILE OMEGA ST 5X20 T 1,25A 250V	FUSE	FUSIBLE	SCHMELZSICHE- RUNG	FUSIBLE	
875	IC571201092	CONTROLLORE SEQ.FASI CM-PFE 208440V/5060	HASE SEQUENCE RELAY	CONTROLEUR SEQ. PHASES	SCHRITTSTEUERUNG PHASEN	CONTROLADOR SECUENCIAS FASES	
921	IC572910140	SONDA DRY REED N.O.A061 1G DZ Z197GY 2m	SWITCH	SONDE	SONDE	SONDA	

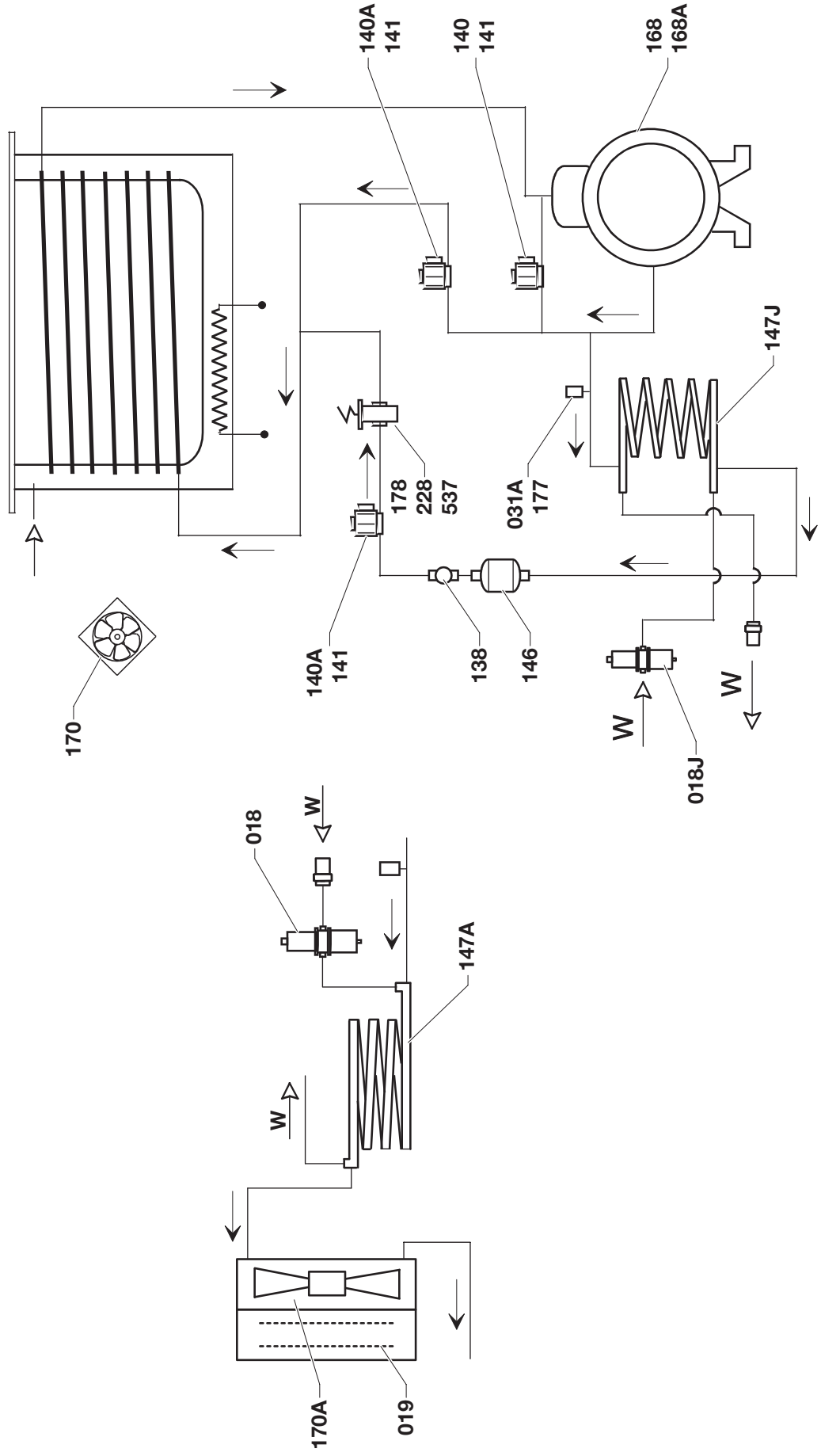
IMPIANTO FRIGORIFERO
REFRIGERATING SYSTEM
REFRIGERATEUR
KÜHLANLAGE
PLANTA REFRIGERADOR

NUMERO TAVOLA
NUMBER TABLE
NUMÉRO DE TABLE
ZAHL TABELLE
NÚMERO DE MESA

08

REVISIONE
REVIEW
VÉRIFIER
REVISION
REVISAR

01



1/2

Pos. Pos. Pos. Pos. Pos.	Codice Code Code Code Código	Descrizione	Description	Description	Beschreibung	Descripción	Note Notes Notes Anmerkungen Notas
018	IC581800125	VALVOLA ACQUA 3/8 PENN V46AA-9609	WATER-VALVE	SOUPE A EAU	WASSERVENTIL	VÁLVULA AGUA	
018J	IC581800120	VALVOLA ACQUA 3/4"DANFOSS WV020 003N6232	VALVE-WATER	SOUPE A EAU	WASSERVENTIL	VÁLVULA AGUA	
019	IC131165100	CONDENSATORE ARIA ECO D55978	CONDENSER-AIR	CONDENSEUR A AIR	LUFTKONDENSATOR	CONDENSADOR AIRE	
138	IC581500119	SPIA LIQ.DANFOSS SGN+10S M/F 014F1099 UL	SIGHT GLASS	TEMOIN LIQUIDE	SCHAUGLAS FLÜSSIGKEITSSTAND	PILOTO LIQUIDO	
140	IC581200820	CORPO VALV.SOL. DANFOSS EVR 3 032F3233	BODY VALVE SOLENOID	CORPS SOUPE SOLENOIDE	GEHÄUSE MAGNETVENTIL	CUERPO VÁLVULA SOLENOIDE	
140A	IC581200824	CORPO VALV.SOL. DANFOSS EVR 6 032F6238	BODY VALVE SOLENOID	CORPS SOUPE SOLENOIDE	GEHÄUSE MAGNETVENTIL	CUERPO VÁLVULA SOLENOIDE	
141	IC581201042	BOBINA SOLEN. DANFOSS 24V- 50/60 018F8277	COIL	BOBINE SOLENOIDE	MAGNETSPULE	BOBINA SELENOIDE	
146	IC581400115	FILTRO DANFOSS DML 163S 023Z4842	FILTER DRYER	FILTRE	FILTER	FILTRO	
147A	IC131150710	SOTTORAFFREDDA- TORE ACQUA	SUBCOOLER-WATER	SOUS-REFRIGERANT EAU	WASSERNEBENKÜH- LER	SUBENFRIADOR AGUA	

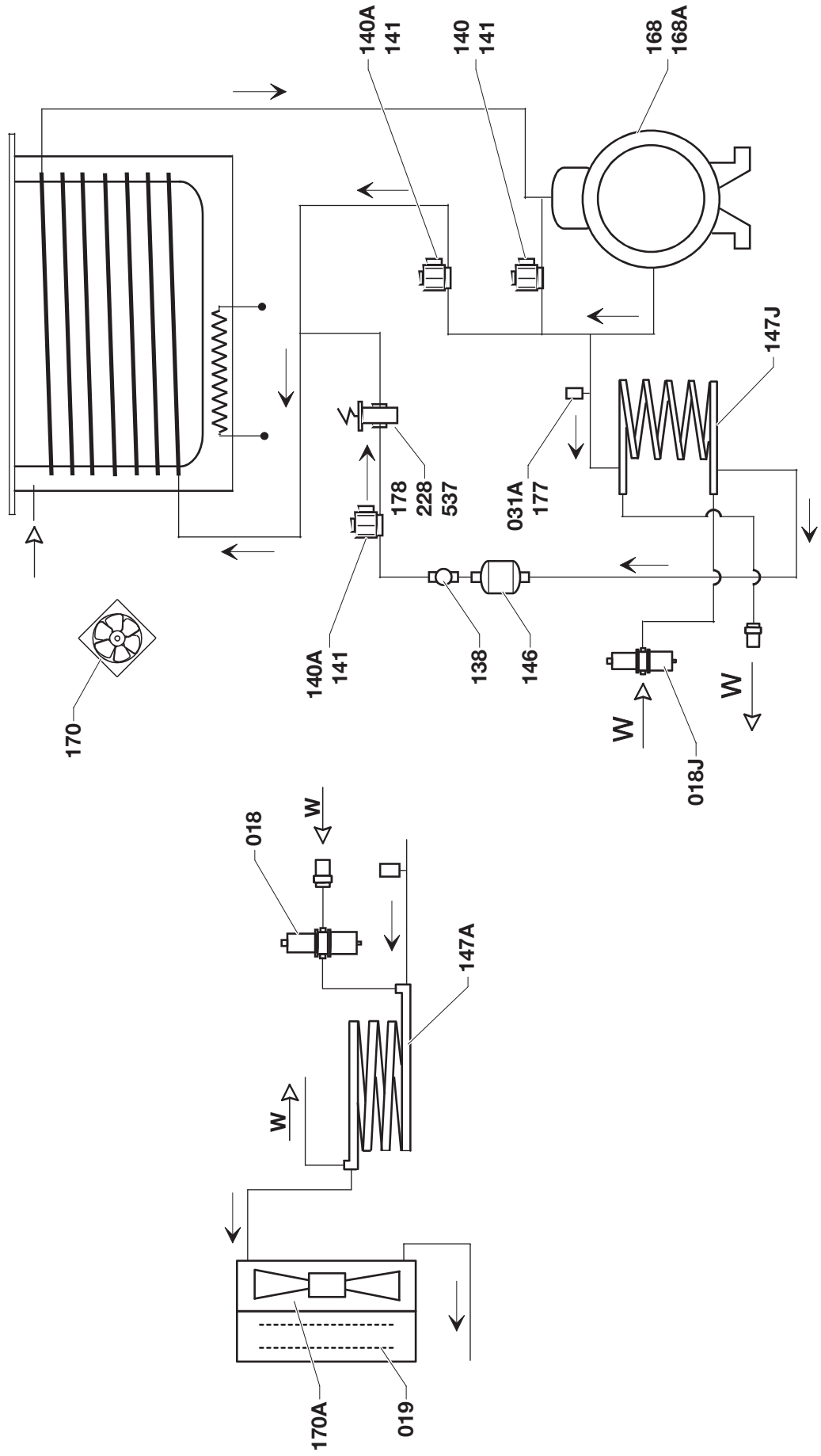
IMPIANTO FRIGORIFERO
REFRIGERATING SYSTEM
REFRIGERATEUR
KÜHLANLAGE
PLANTA REFRIGERADOR

NUMERO TAVOLA
NUMBER TABLE
NUMÉRO DE TABLE
ZAHL TABELLE
NÚMERO DE MESA

08

REVISIONE
REVIEW
VÉRIFIER
REVISION
REVISAR

01



Pos. Pos. Pos. Pos. Pos.	Codice Code Code Code Código	Descrizione	Description	Description	Beschreibung	Descripción	Note Notes Notes Anmerkungen Notas
147J	IC584200131	CONDENSATORE W WIELAND 846.10443 3/4"GAS	CONDENSER WATER	CONDENSATEUR EAU	WASSERKONDEN- SATOR	CONDENSADOR AGUA	
168	IC561222814	C.FRASCOLD F5-24 POE 200346/5060/3	COMPR.	COMPR.	KOMPR.	COMPRES.	
168A	IC561222819	C.FRASCOLD F5-25 HT POE 230400/50/3	COMPR.	COMPR.	KOMPR.	COMPRES.	
170	IC551090151	M.VENT. SUNON DP200A 220240/5060/1	MOTOR-FAN	MOTEUR VENTIL.	MOTORLÜFTER	MOTOR VENTIL.	
170A	IC551091310	M.VENT.EBM A4D500-AM01-06 230400/5060/3	M.FAN	M.VENT.	M.RLÜFTER	M.VENT.	
177	IC583100134	PRESSOST.CC80 22/29 061F11 3000	CUT OUT PRESSURE	PRESSOSTAT	DRUCKSCHALTER	PRESSOSTATO	
178	IC581101055	VALV.TERM.TES2 MOP 75 068Z3439	VALVE- THERMOSTATIC	DETENDEUR THERMOSTATIQUE	THERMOSTATVENTIL	VÁLVULA THERMOSTÁTICA	
228	IC581110030	COPERTURA VALV. THERMOSTATICA POLIETILENE	COVER- THERMOSTATIC VALVE	COUVERCLE SOUPE THERMOST.	DECKEL THERMOSTATVENTIL	CUBIERTA VÁLVULA THERMOSTÁTICA	
408	IC581300510	VALVOLA SERVIZIO A31 720M	VALVE-SERVICE	SOUPE SERVICE	BETRIEBSVENTIL	VÁLVULA SERVICIO	
537	IC581110616	ORIFICIO DANFOSS N° 06 068-2086	ORIFICE	ORIFICE	ÖFFNUNG	ORIFICIO	

ACCESSORI A CORREDO
ACCESSORIES KIT
ACCESSOIRES D'ACCOMPAGNEMENT
MITGELIEFERTES ZUBEHÖR
ACCESORIOS DE ACOMPAÑAMIENTO

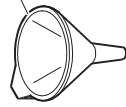
NUMERO TAVOLA
NUMBER TABLE
NUMÉRO DE TABLE
ZAHL TABELLE
NÚMERO DE MESA

REVISIONE
REVIEW
VÉRIFIER
REVISION
REVISAR

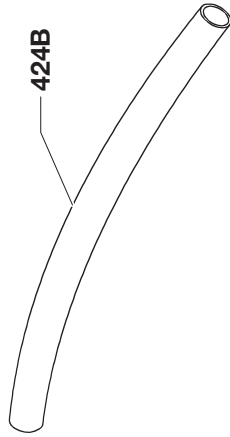
01

09

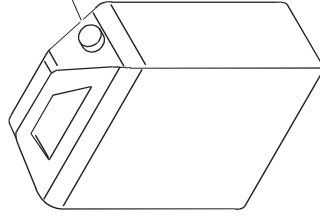
442



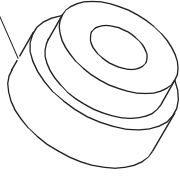
424B



122



459

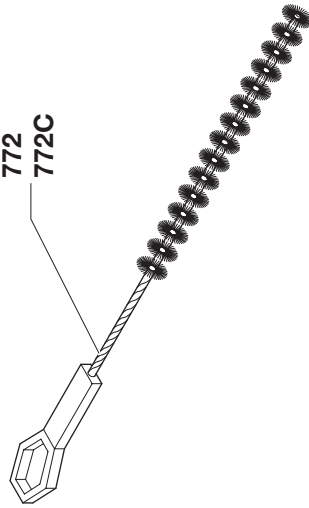


1225

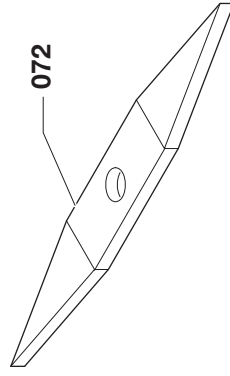


772

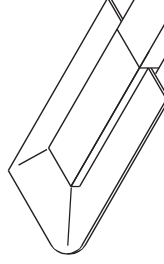
772C



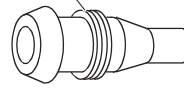
072



840



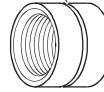
055



352A



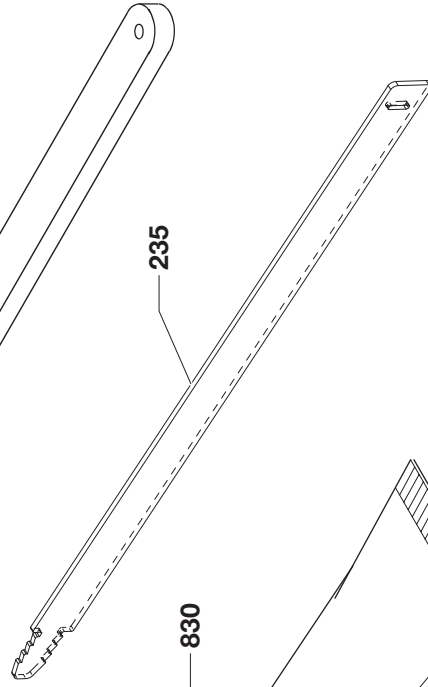
102



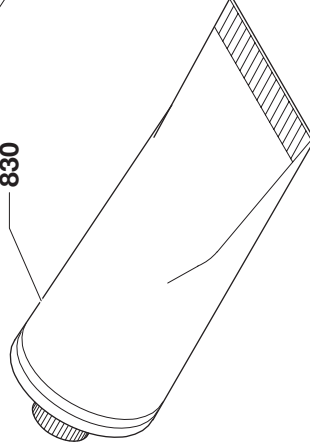
102A



235



830



Pos. Pos. Pos. Pos. Pos.	Codice Code Code Code Código	Descrizione	Description	Description	Beschreibung	Descripción	Note Notes Notes Anmerkungen Notas
055	IC171195040	ATTACCO TUBO GOMMA	FITTING HOSE-END	PRISE TUBE CAOUTCHOUC	ANSCHLUSS GUMMISCHLAUCH	CONEXION TUBO DE GOMA	
072	IC193010040	ESTRATTORE OR	EXTRACTOR O-RING	EXTRACTEUR JOINTS TORIQUES	O-RING AUSHEBER	EXTRACTOR JUNTA TORICA	
102	IC158185130	GHIERA ATTACCO RAPIDO	RING NUT-QUICK QUICK	COLLIER DE SERRAGE PRISE RAPIDE	SCHNELLKUPPLUNG GEWINDERING	ABRAZADERA CONEXIÓN RÁPIDA	
102A	IC158175030	GHIERA ATTACCO TUBO GOMMA	RING NUT-FITTING HOSE END	COLLIER DE SERRAGE PRISE TUBE CAOUTCHOUC	ANSCHLUSSGEWIN- DERING GUMMI- SCHLAUCH	ABRAZADERA CONEXION TUBO DE GOMA	
122	IC596101109	TANICA GLICOLE PURO LT. 5	GLYCOL 5 litres	GLYCOL 5 lt	GLICOLE 5 lt	GLYCOL 5 lt	
235	IC158262790	FASCIA DI PROTEZIONE	TIE-PROTECTION	COLLIER DE PROTECTION	SCHUTZSCHELLE	ABRAZADERA DE PROTECCIÓN	
352A	IC549000552	GUARNIZIONE 131. D15/000.S	SEAL	JOINT	DICHTUNG	JUNTA	
424B	IC589801019	TUBO GOMMA ALIMENTARE D.14/19	HOSE-FOOD GRADE	TUBE CAOUTCHOUC ALIMENTAIRE	SCHLAUCH AUS LEBENSMITTEL. GUMMI	TUBO GOMA ALIMENTARIA	
442	IC596100401	IMBUTO ART.80.28.038 D.100	FUNNEL-ART.	ENTONNOIR	TRICHTER	EMBUDO	
459	IC177110370	VALVOLA CHIUSURA RUBINETTO	VALVE-CLOSING FAUCET	SOUPAPE FERMETURE ROBINET	ABSPERRVENTIL HAHN	VÁLVULA DE CIERRE DE GRIFO	

ACCESSORI A CORREDO
ACCESSORIES KIT
ACCESSOIRES D'ACCOMPAGNEMENT
MITGELIEFERTES ZUBEHÖR
ACCESORIOS DE ACOMPAÑAMIENTO

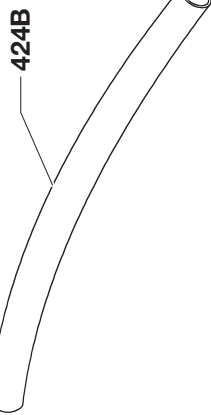
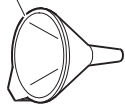
NUMERO TAVOLA
NUMBER TABLE
NUMÉRO DE TABLE
ZAHL TABELLE
NÚMERO DE MESA

REVISIONE
REVIEW
VÉRIFIER
REVISION
REVISAR

01

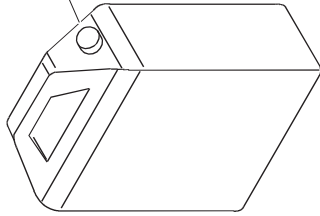
09

442

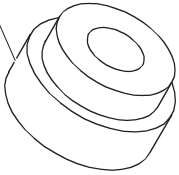


424B

122



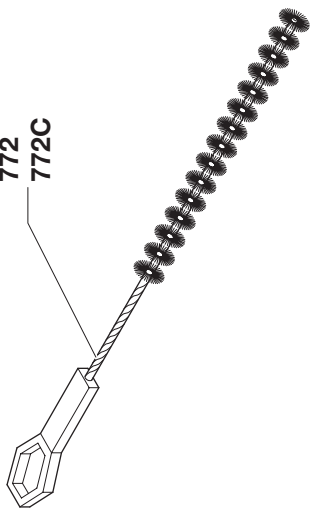
459



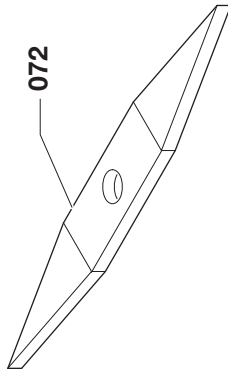
1225



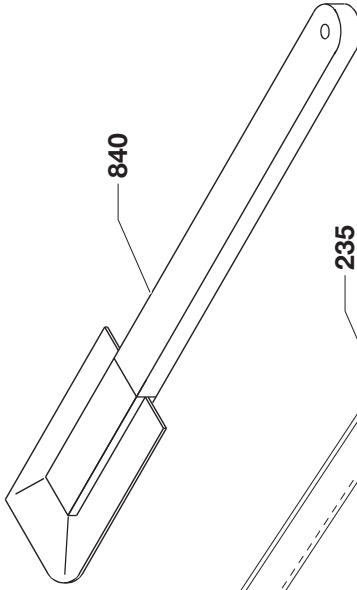
772
772C



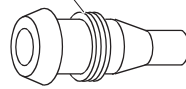
072



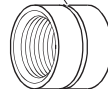
840



055



102



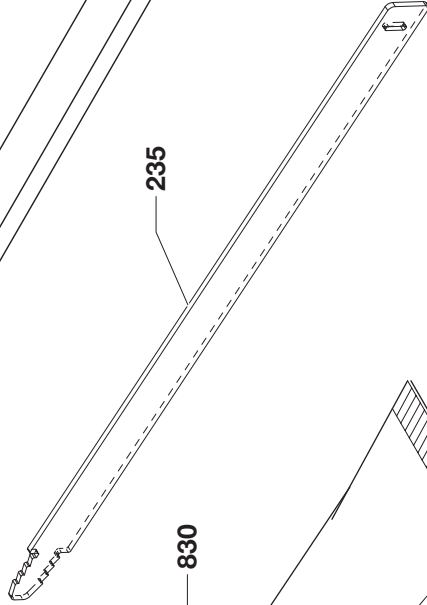
352A



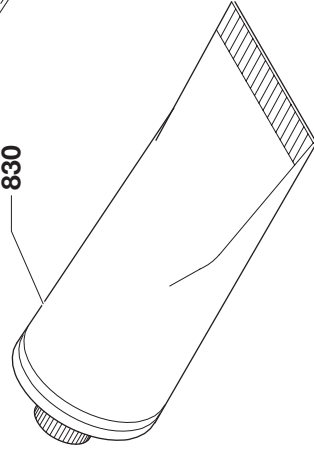
102A



235



830



Pos. Pos. Pos. Pos. Pos.	Codice Code Code Code Código	Descrizione	Description	Description	Beschreibung	Descripción	Note Notes Notes Anmerkungen Notas
772	IC599100123	SCOVOLINO D. 30X640	BRUSH FINE	ECOUVILLON	REINIGUNGSBÜRSTE	ESCOBILLA	
772C	IC599100140	SCOVOLINO D. 40X400	BRUSH FINE	ECOUVILLON	REINIGUNGSBÜRSTE	ESCOBILLA	
830	IC743000116	TUBETTO LUBRI- FILM SP g.113	TUBE-LUBRI-FILM	TUBE LUBRI-FILM	TUBE-LUBRI-FILM	TUBO LUBRI-FILM	
840	IC178600160	SPATOLA PULIZIA	SPATULA	SPATULE	SPATEL	PALETA	
1225	IC541000225	OR 3,53 32,93 NBR 787/70 4131	O-RING	JOINT TORIQUE	O-RING	JUNTA TÓRICA	



FOODSERVICE EQUIPMENT SPARES LTD

UNIT 4 SANDBROOK PARK, SANDBROOK WAY, ROCHDALE, OL11 1RY

01706 353 633

SALES@FOODSERVICESPARES.COM



WWW.FOODSERVICESPARES.COM