

TECHNICAL DIAGRAMS



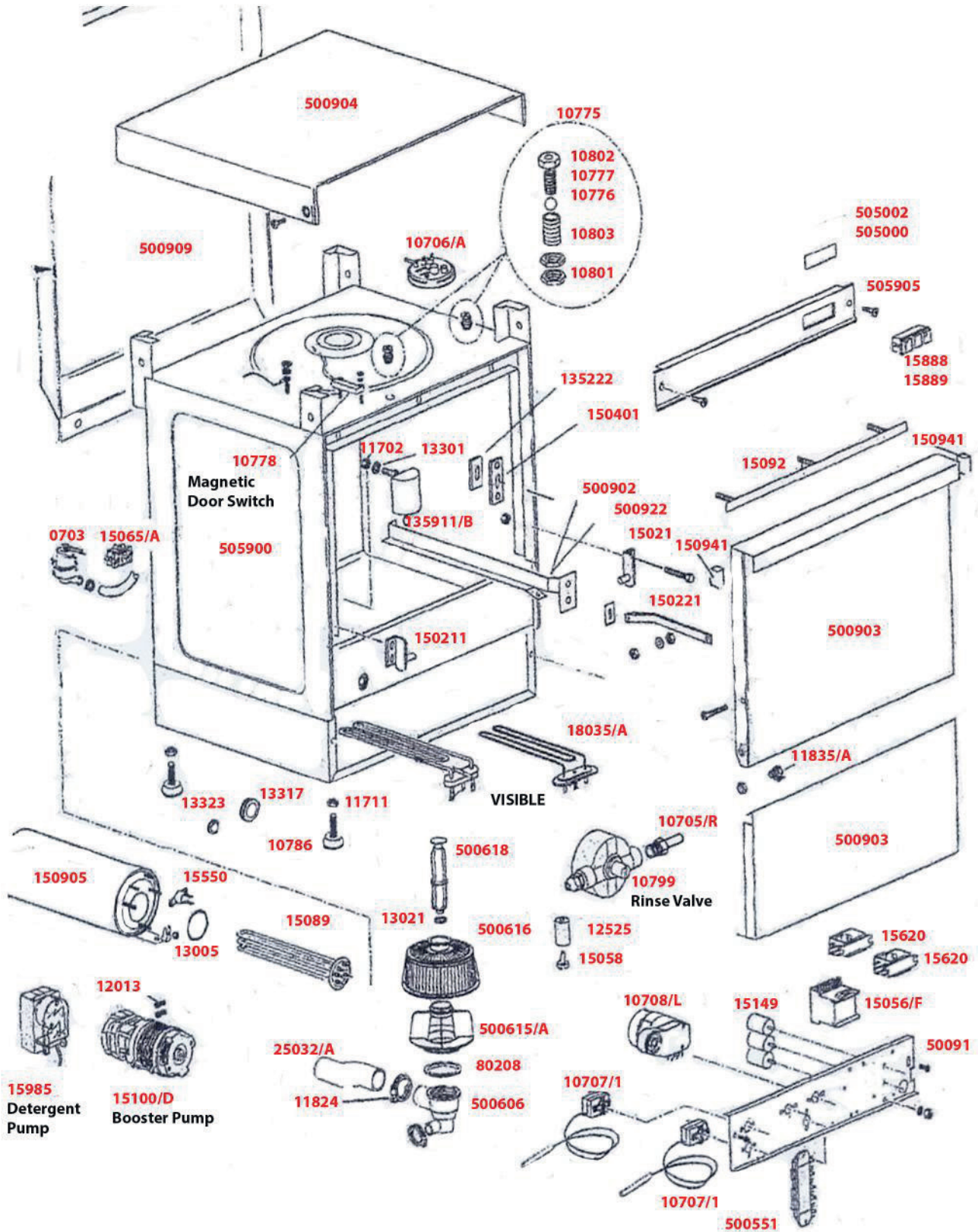
PL50

01706 353 633

WWW.FOODSERVICESPARES.COM

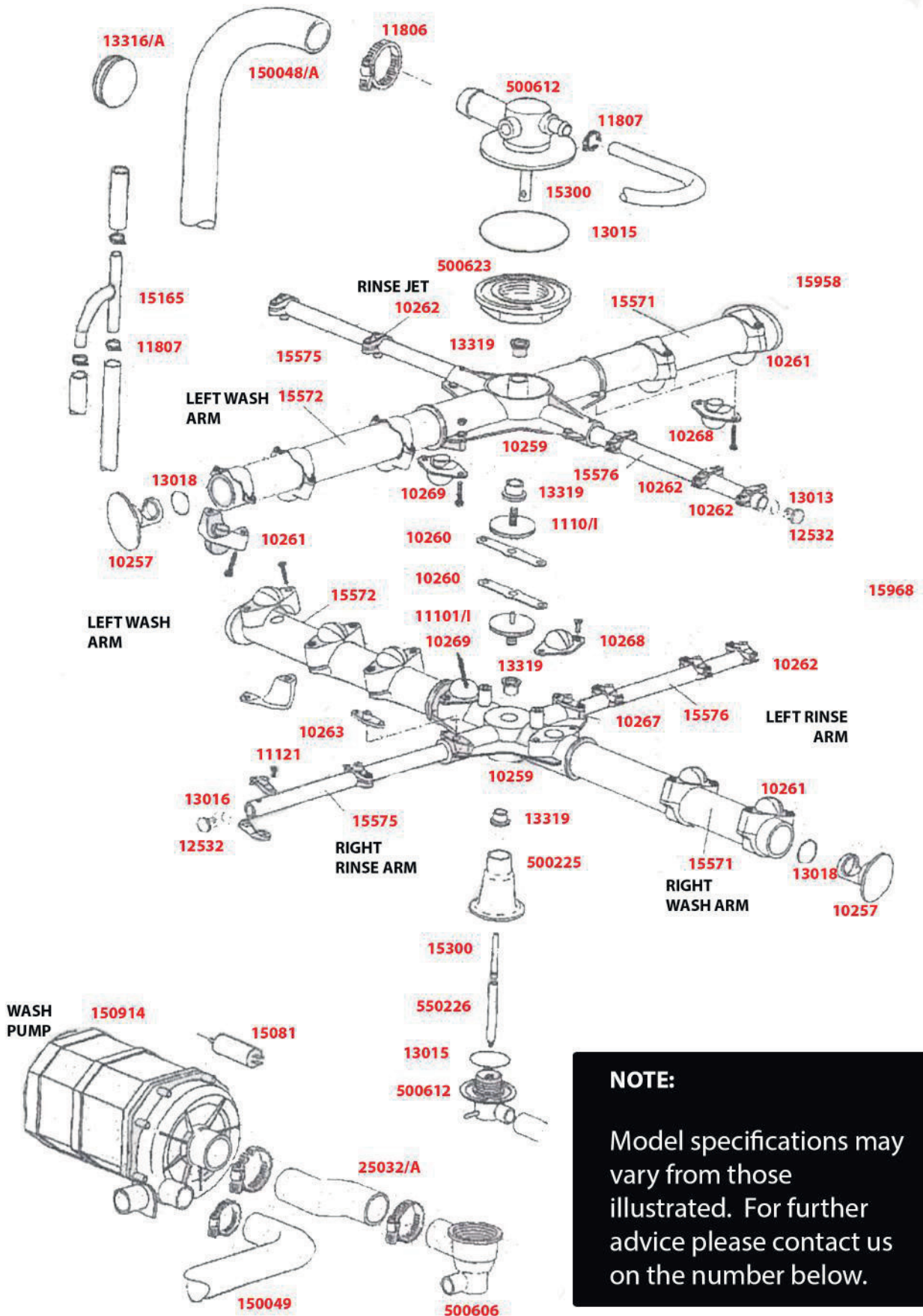


PL50 Exploded View





PL50 Exploded View



NOTE:
Model specifications may vary from those illustrated. For further advice please contact us on the number below.



FOODSERVICE EQUIPMENT SPARES LTD

UNIT 4 SANDBROOK PARK, SANDBROOK WAY, ROCHDALE, OL11 1RY

01706 353 633

SALES@FOODSERVICESPARES.COM



WWW.FOODSERVICESPARES.COM