



TECHNICAL DIAGRAMS

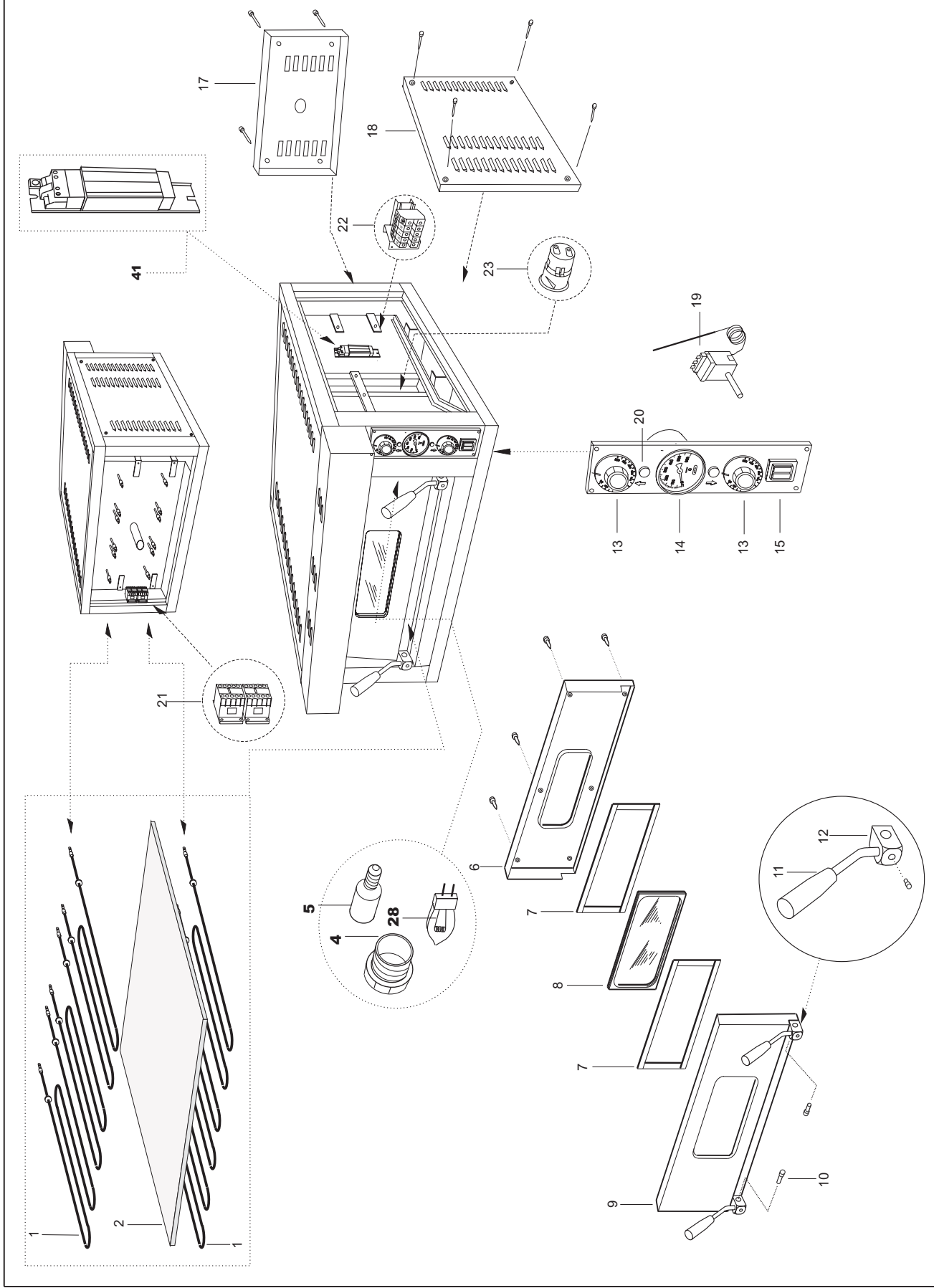
**TenKo**  
KITCHEN SUPPLIES

1A

01706 353 633

[WWW.FOODSERVICESPARES.COM](http://WWW.FOODSERVICESPARES.COM)

| Rif  | Code                    | Qnt |
|------|-------------------------|-----|
| 1    | 59100017                | 2   |
| 2    | 52300011                | 1   |
| 3    | 00000000                | 1   |
| 4    | 86133001                | 1   |
| 5    | 86130001                | 1   |
| 6    | 53000002                | 1   |
| 7    | 57700007                | 2   |
| 8    | 58300001                | 1   |
| 9    | 53000003                | 1   |
| 10   | 00000000                | 1   |
| 11   | 81229001                | 2   |
| 12   | 52100001                | 1   |
| 13   | 81229005                | 2   |
| 14   | 86501001                | 1   |
| 15   | 86125003                | 1   |
| 15-A | 86125011                | 1   |
| 16   | 00000000                | 1   |
| 17   | 00000000                | 1   |
| 18   | 00000000                | 1   |
| 19   | 86301001                | 2   |
| 20   | 86132001                | 1   |
| 21   | 86112001                | 1   |
| 22   | 86208001                | 1   |
| 22-A | 86208002                | 1   |
| 22-B | 86211001                | 1   |
| 22-C | 86213001                | 1   |
| 23   | 86131001                | 1   |
| 24   | 57900001                | 1   |
| 25   | 00000000                | 1   |
|      | <b>VERSIONE ALOGENA</b> |     |
| 28   | 86130003                | 1   |
| 23   | 86131007                | 1   |
| 4    | 86133004                | 1   |
| 41   | 86103005                | 1   |



ASSIEME - ENSEMBLE - ASSEMBLE - GESANTANSICHT - **TECKNO - 1 A (INOX)**





FOOD SERVICE EQUIPMENT SPARES LTD

UNIT 4 SANDBROOK PARK, SANDBROOK WAY, ROCHDALE, OL11 1RY

01706 353 633

SALES@FOODSERVICESPARES.COM



WWW.FOODSERVICESPARES.COM