



TECHNICAL DIAGRAMS



C2035WS

01706 353 633

WWW.FOODSERVICESPARES.COM



C2035WS

PARTS BOOK

From S/N: 4360580

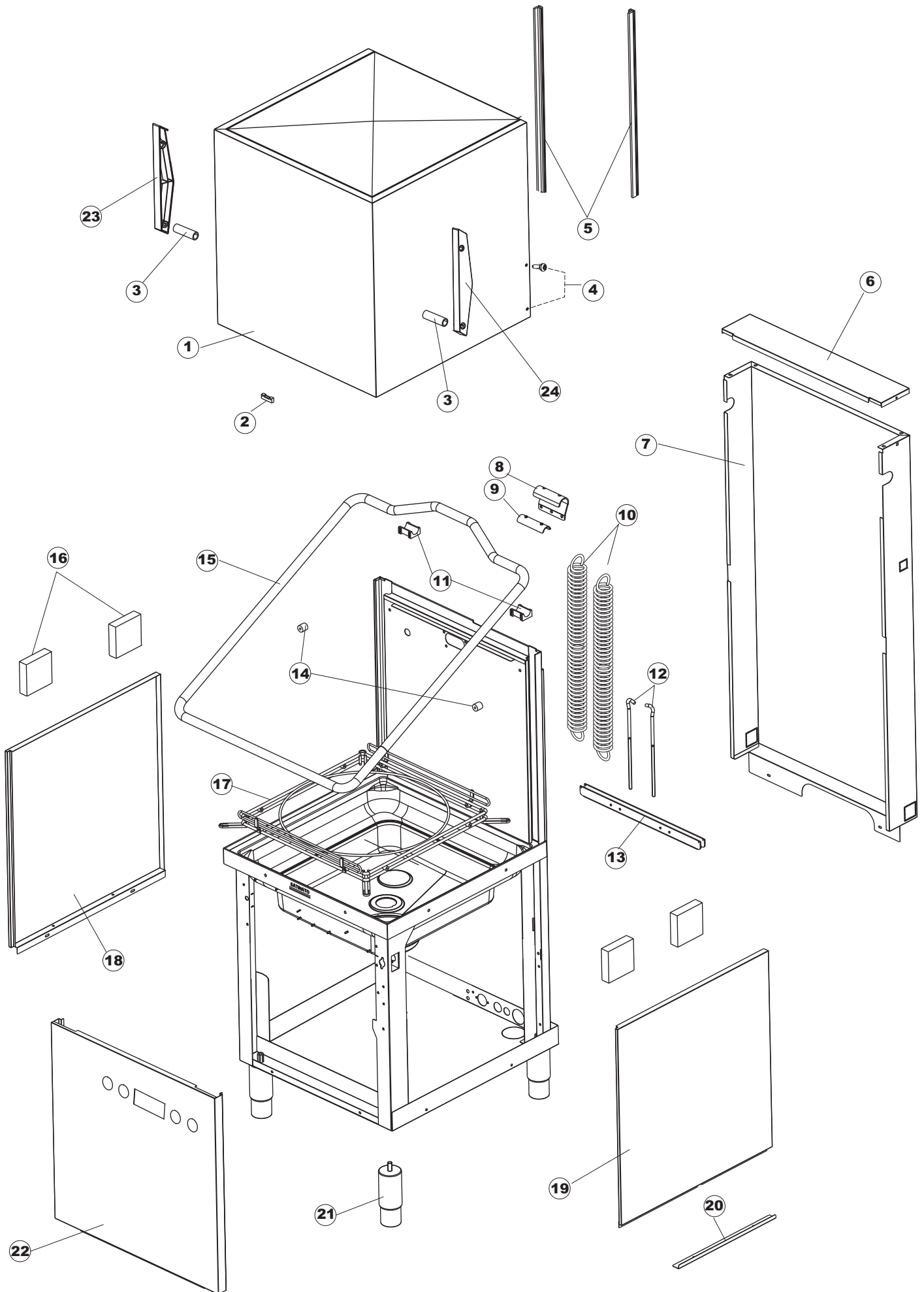
All spares available from



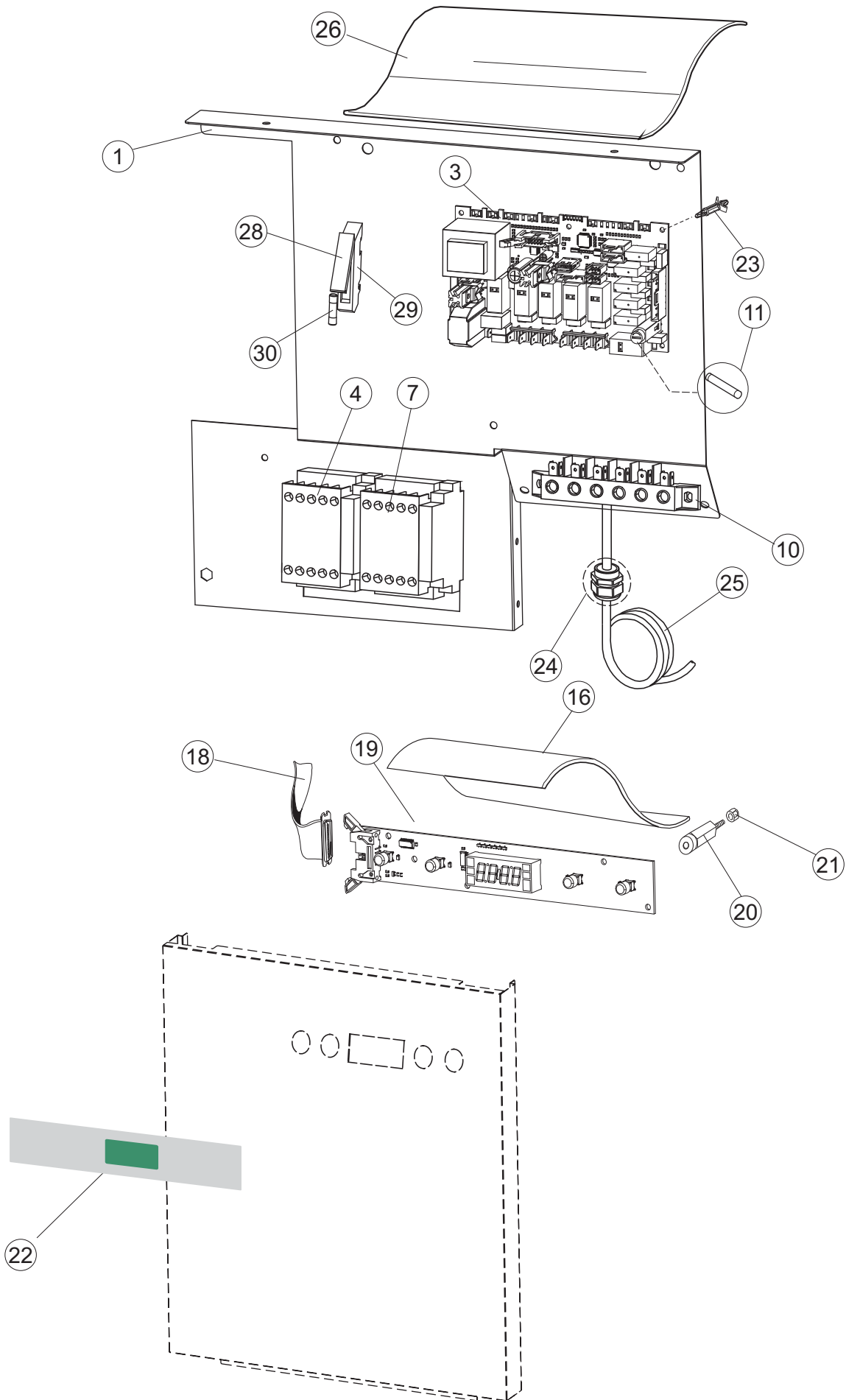
UNIT 4 | SANDBROOK PARK
SANDBROOK WAY |
ROCHDALE
OL11 1RY
Tel: 01706 353 633

www.foodservicespares.com

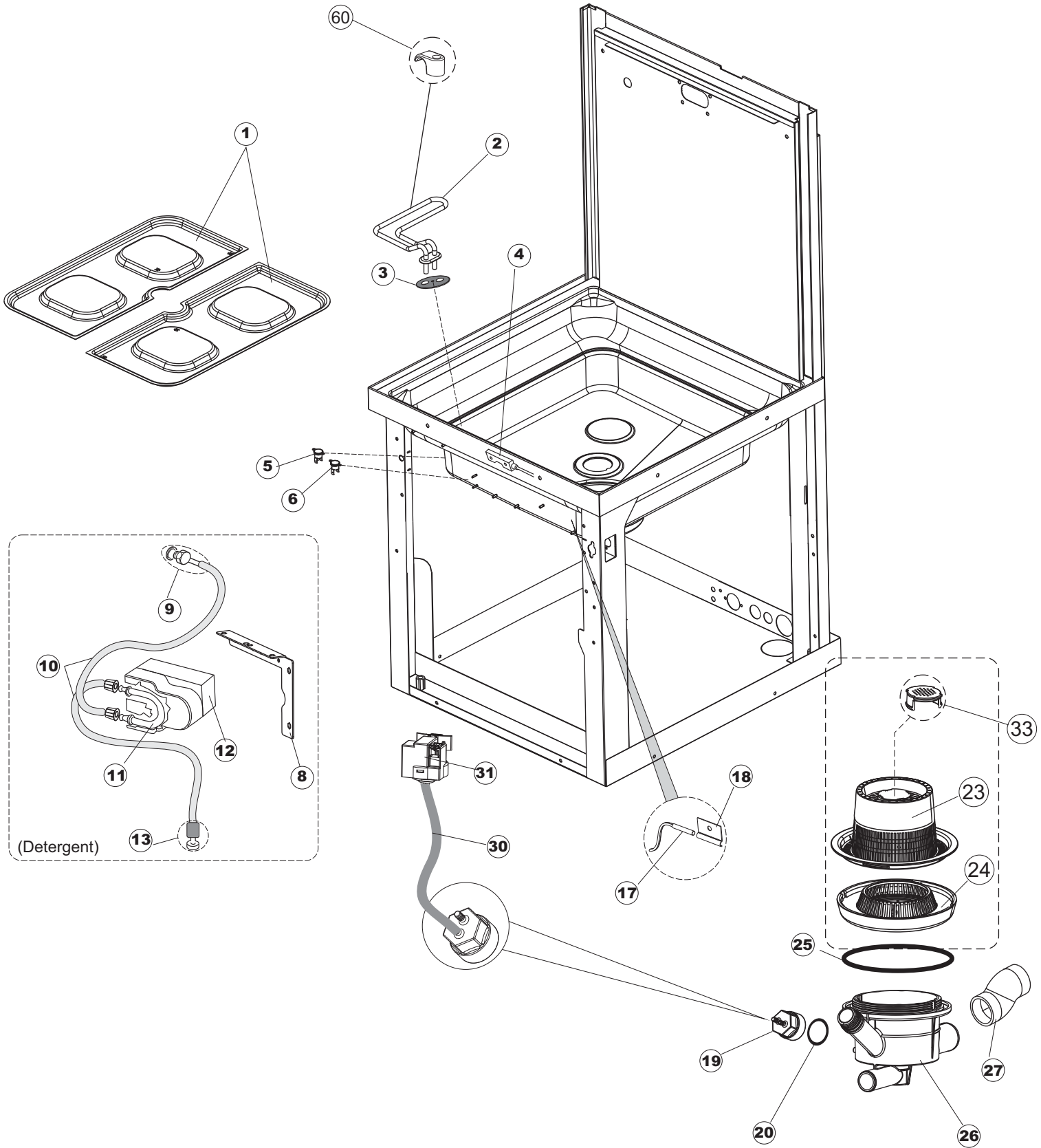
Copyright Notice: All rights reserved. No parts of this manual may be reproduced in any form without express written permission of Maidaid-Halcyon (A trading name of Buttress Group Ltd)



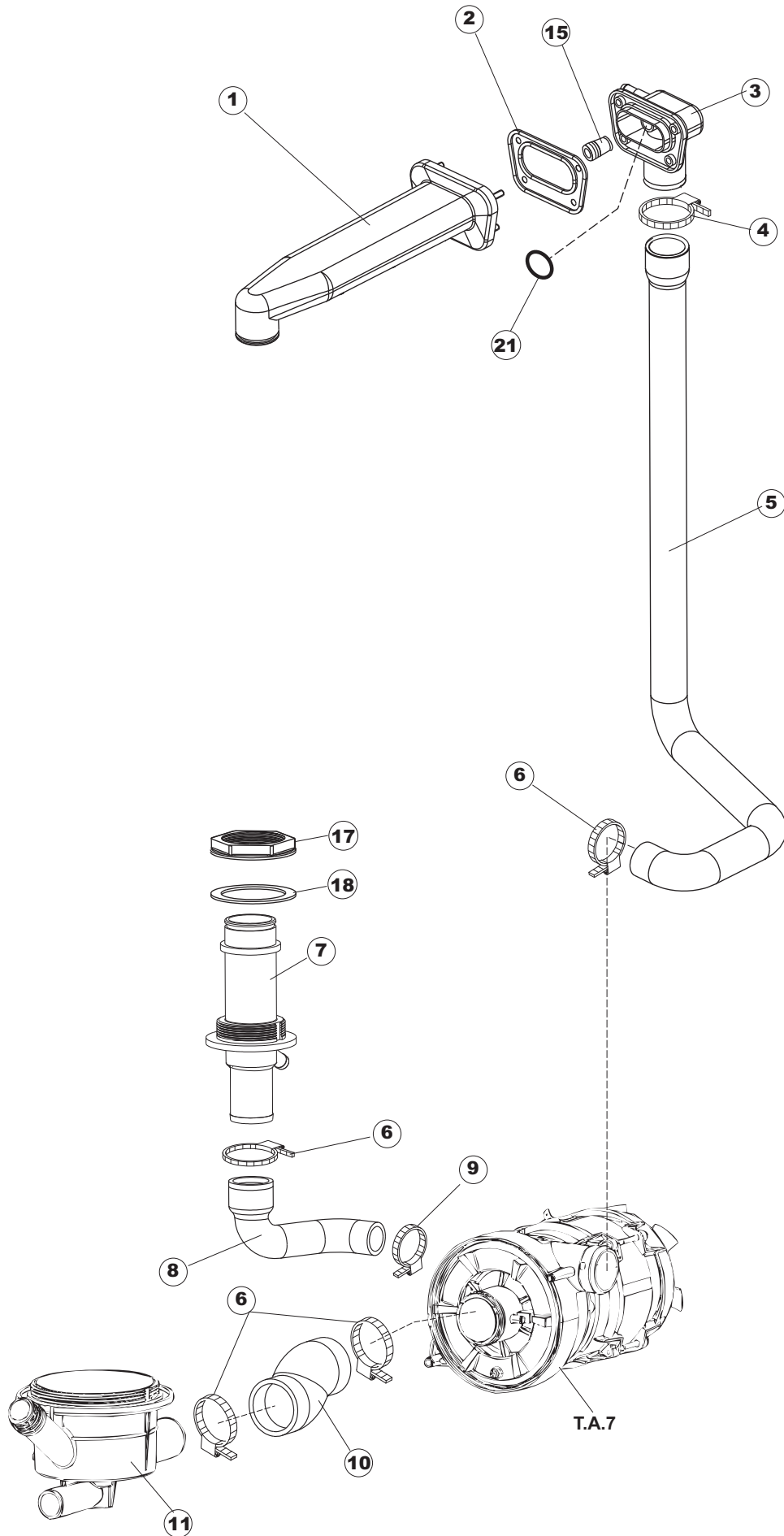
Page	Ref	Part Code	Description
1	1	MH106481	Hood
1	2	MH101077	Magnet For Microswitch
1	3	MH106270	Spacer st/st
1	4	MH100626	Guide for Hood
1	5	MH106461	Hood Guide (Sold Individually)
1	6	MH103815	Rear Panel Top Plate - Plastic
1	7	MH106450	Back Panel
1	8	MH100557	Spring Mounting Plate
1	9	MH100558	Handle Protection
1	10	MH102396	Spring for Hood (Sold Individually)
1	11	MH100562	Bearing for Hood Handle
1	12	MH100570	Spring Adjustment Hook
1	13	MH105612	Bracket for Spring Hooks
1	14	MH100563	Buffer for Hood Machine
1	15	MH106462	Hood Handle
1	16	MH100565	Adhesive Pad
1	17	MH106483	Basket Carriage
1	18	MH105125	Side Panel L/H
1	19	MH105126	Side Panel R/H
1	20	MH100567	Front Strip
1	21	MH100566	Machine Foot Adjustable (Sold Individually)
1	22	MH106467	Lower Front Panel
1	23	MH106430	L/H Hood Pivot Plate
1	24	MH106431	R/H Hood Pivot Plate



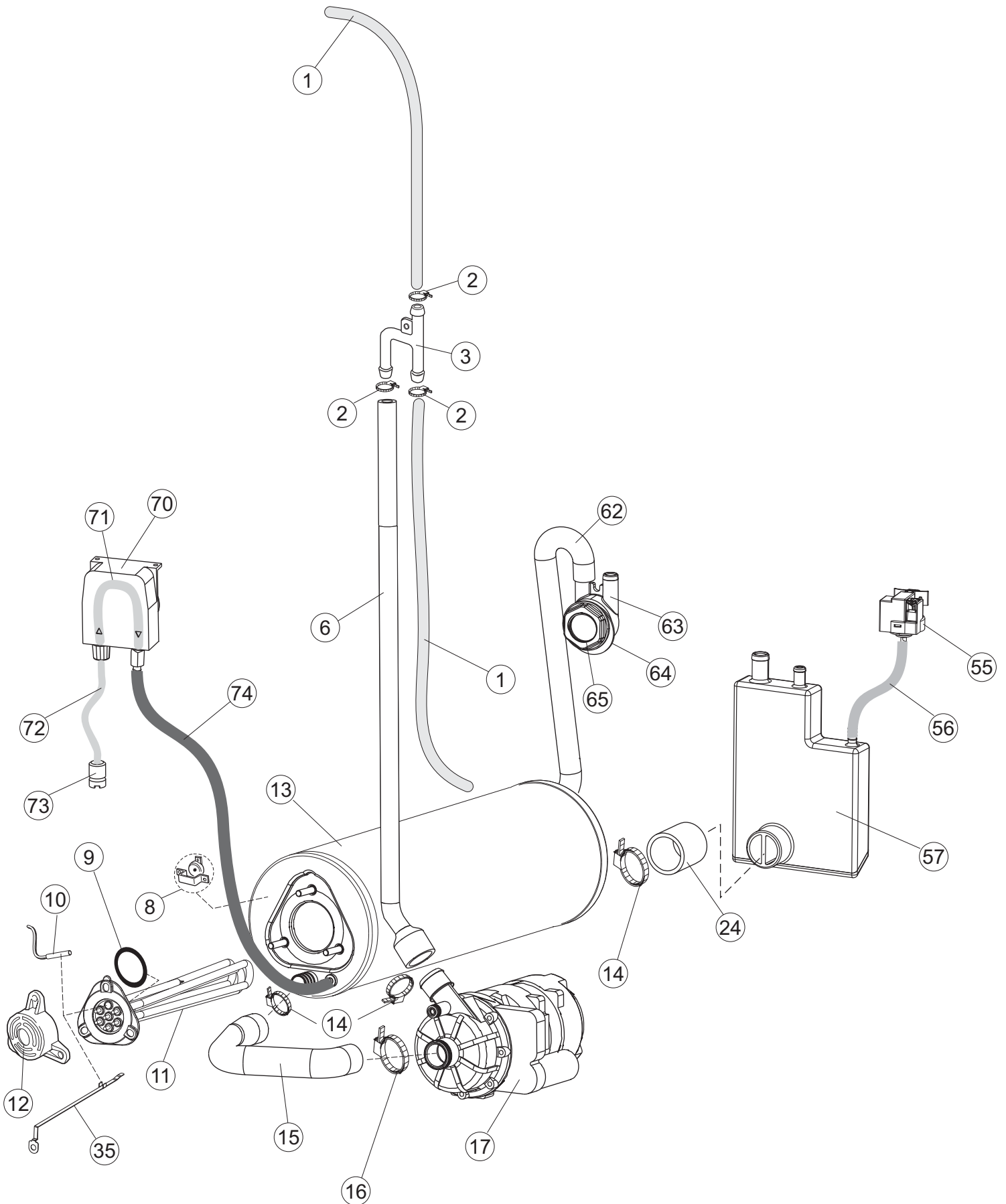
Page	Ref	Part Code	Description
2	1	MH106449	Electrics Panel
2	3	MH106037	Main PCB
2	4	MH103908	Contactor 4NO 4kW 20A AC 240V (Boiler Heater Contactor)
2	7	MH105142	Contactor 230-50/60HZ (Safety Contactor)
2	10	MH100262	Mains Terminal Block
2	11	MH100580	Fuse (5X20mm) - T4A Slow Acting
2	16	MH105551	Electrical Cover Membrane
2	18	MH101373	Ribbon Cable 10 Pin L 760mm
2	19	MH106035	Switch and Display PCB
2	20	MH101059	PCB Spacer
2	21	MH101355	Nut M3 - Plastic
2	22	MH106458	Fascia - C2035WS
2	23	MH101397	PCB Foot
2	24	MH104199	Cable Gland
2	25	MH105477	Power Cable HO7RN-F 3x6mm
2	26	MH104658	Plastic Controls Cover
2	28	MH106235	Fuse Holder
2	30	MH100580	Fuse (5X20mm) - T4A Slow Acting



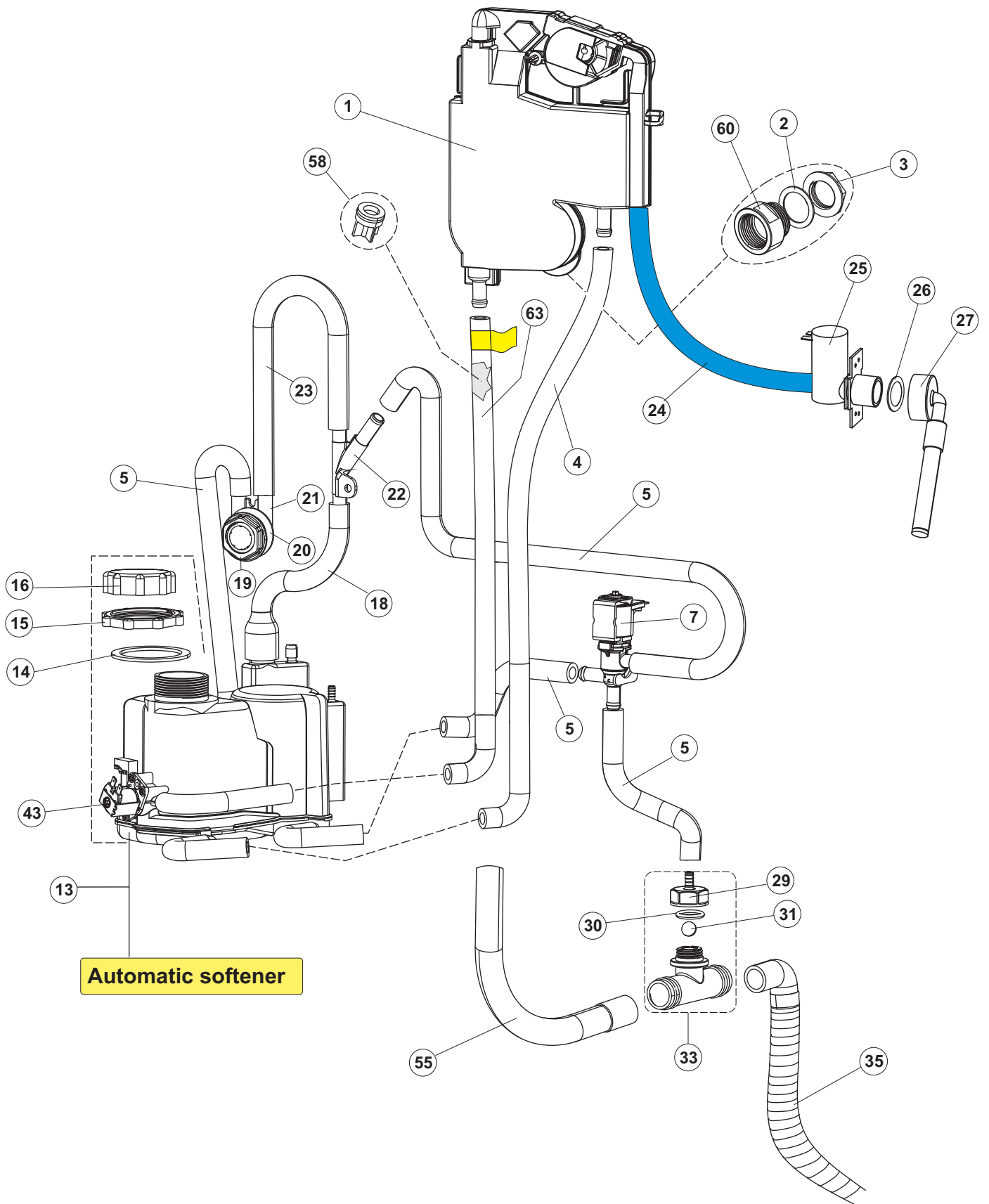
Page	Ref	Part Code	Description
3	1	MH104593	Scrap Tray Filter (Left OR Right)
3	2	MH106262	Wash Tank Element 2.1kW c/w Gasket
3	3	MH100370	Gasket for Wash Tank Element
3	4	MH100377	Magnetic Door Switch
3	5	MH105970	Wash Tank Overheat Thermostat 127°C
3	6	MH103821	Contact Thermostat 90° +/-3°C 1N/C
3	8	MH106460	Mounting Bracket For Chemical Pump
3	9	MH105266	Detergent Injection Elbow
3	10	MH101089	Detergent Tube 4 x 6mm Clear (Per Mtr)
3	11	MH103789	Internal Detergent Squeeze Tube - 6 x 10mm
3	12	MH105971	Detergent Dosing Pump - Non Timed
3	13	MH103645	Bottle Weight and Filter
3	17	MH103715	Temperature Probe Wash or Rinse Cycle
3	18	MH101316	Fixing Plate
3	19	MH103954	Connection Nut for Airbox
3	20	MH103909	O'Ring
3	23	MH103984	Filter Assembly
3	24	MH103918	Ring Nut Body Inlet & Drain
3	25	MH103919	O'Ring
3	26	MH105478	Aspiration & Drain Body
3	27	MH103926	Aspiration Hose
3	28	MH104746	Hose Clip
3	29	MH103927	Drain Hose
3	30	MH100353	Pressure Switch Tube 4 x 7mm (Per Mtr)
3	31	MH105353	Electronic Pressure Switch
3	33	MH106106	Filter Plug
3	60	MH105973	Bracket for Wash Tank Element



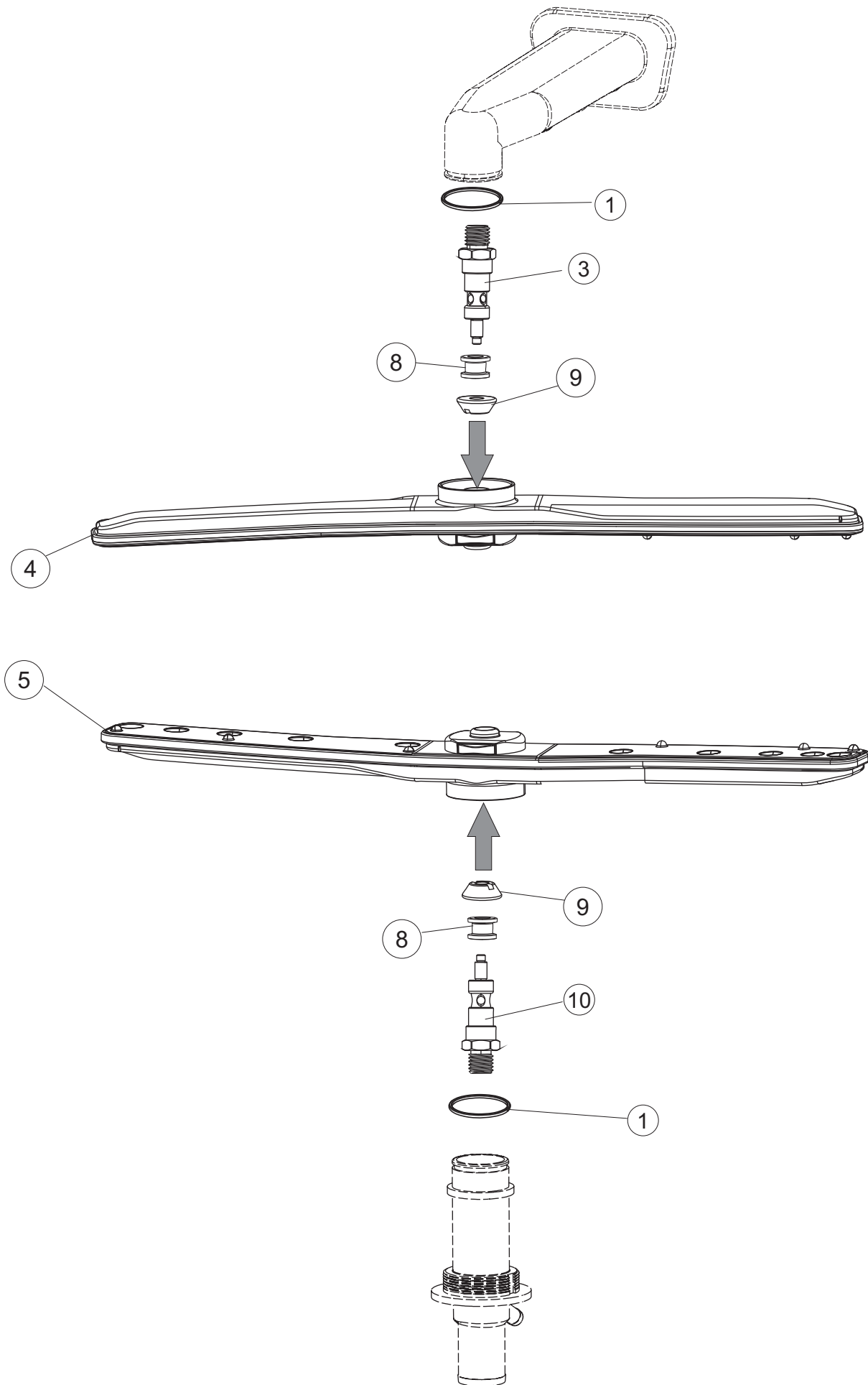
Page	Ref	Part Code	Description
4	1	MH106433	Upper Wash/Rinse Manifold
4	2	MH100606	Gasket for Wash Feed
4	3	MH101180	Wash Pipe Connection Rear Top
4	4	MH105479	Hose Clip
4	5	MH101377	Wash Hose
4	6	MH104746	Hose Clip
4	7	MH105131	Bottom Wash/Rinse Support Column
4	8	MH103930	Rubber Intake Hose
4	9	MH101386	Hose Clip
4	10	MH103926	Aspiration Hose
4	11	MH105478	Aspiration & Drain Body
4	15	MH100490	Rinse Pipe Olive
4	17	MH103941	Ring Nut
4	18	MH103942	Gasket
4	21	MH104685	O'Ring



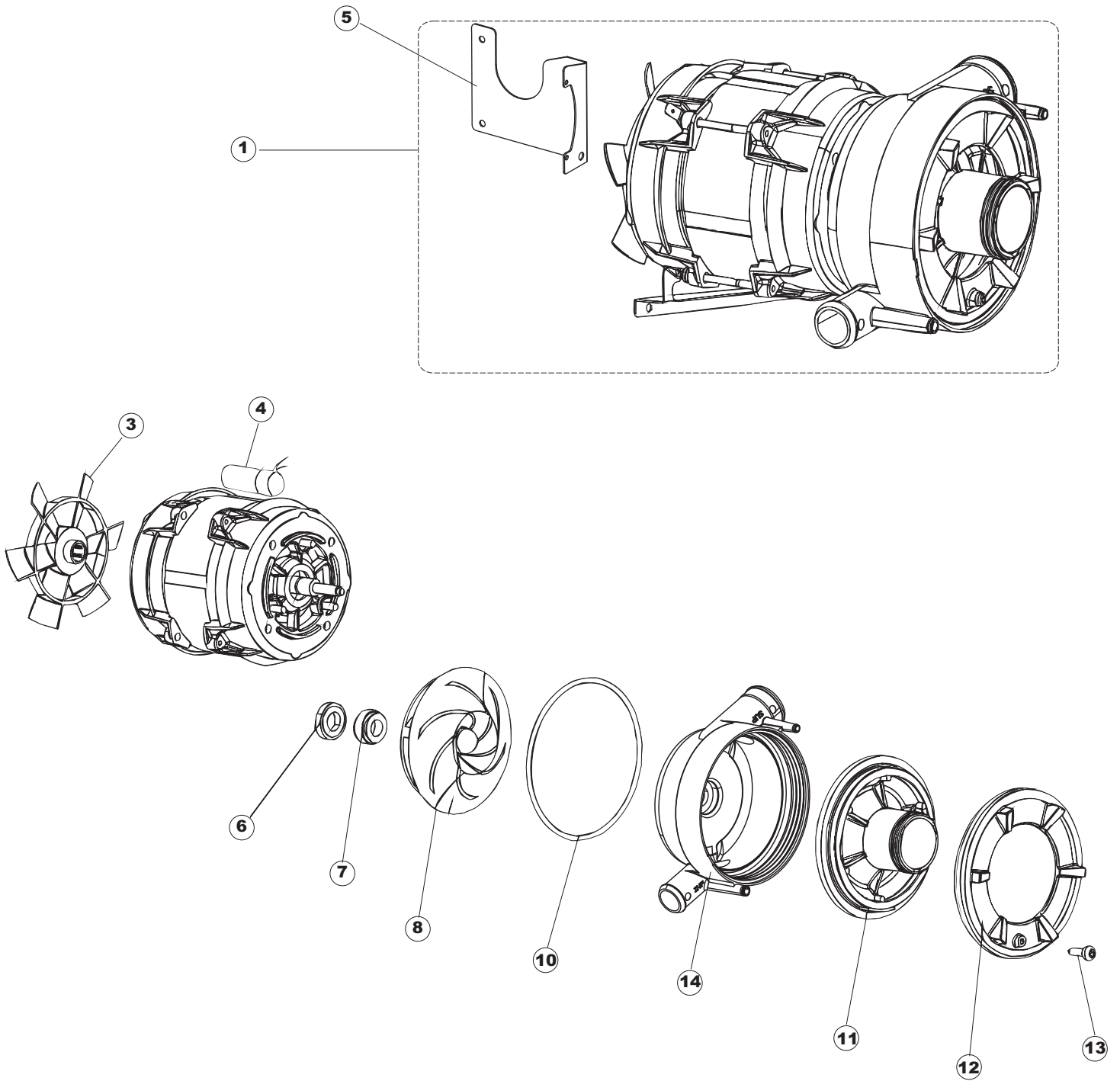
Page	Ref	Part Code	Description
5	1	MH100583	Rubber Tube 12 x 19.5mm (Per Mtr)
5	2	MH101385	Hose Clamp
5	3	MH100584	Hose Connector - 3 Way
5	6	MH105611	Rinse Delivery Hose – Length 2 Meter
5	8	MH100601	Safety Thermostat - 95°C
5	9	MH100599	Gasket for Rinse Element
5	10	MH103715	Temperature Probe
5	11	MH100598	Element for Boiler 6.5kW 240V
5	12	MH101070	Element Cover
5	13	MH103983	Boiler
5	14	MH101386	Hose Clip
5	15	MH103989	Aspiration Hose
5	16	MH101386	Hose Clip
5	17	MH103992	Booster Pump 230V 200W 50Hz
5	24	MH103991	Rubber Hose
5	35	MH103726	Probe Holder
5	55	MH105353	Electronic Pressure Switch
5	56	MH100353	Pressure Switch Tube 4 x 7mm (Per Mtr)
5	57	MH106477	Boiler Air Chamber
5	62	MH106466	Hose
5	63	MH105092	Overflow Body
5	64	MH100444	Gasket
5	65	MH105091	Ring Nut
5	70	MH105982	Rinse Aid Dosing Pump - MICRODOS
5	71	MH103835	Microdos Rinse Aid Squeeze Tube
5	72	MH100745	Tube 4 x 6mm PVC Blue (Per Mtr)
5	73	MH103645	Bottle Weight and Filter
5	74	MH104388	Rinse Aid Feed to Boiler Tube 5x11mm (Per Mtr)



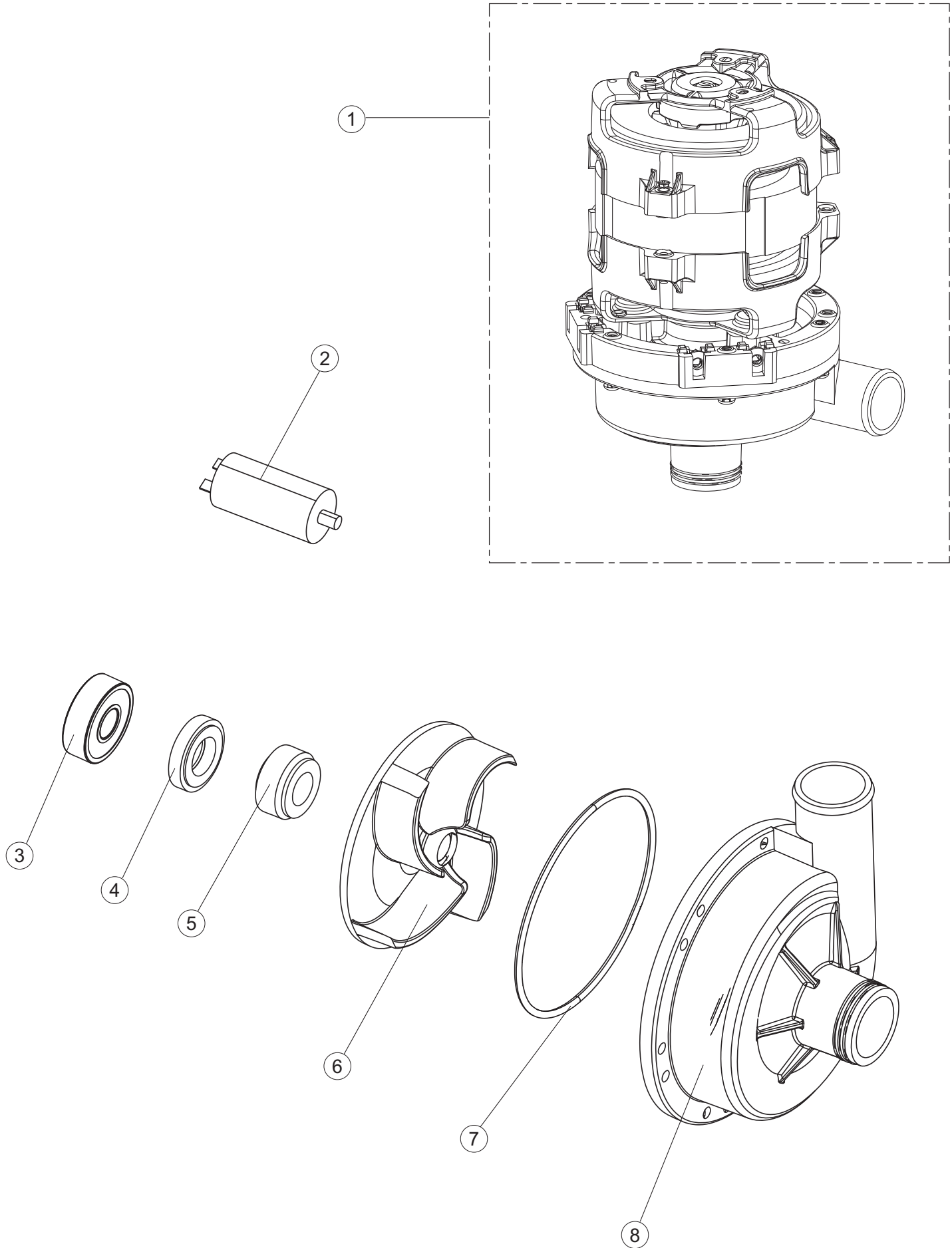
Page	Ref	Part Code	Description
6	1	MH106357	Breaktank
6	2	MH105080	Rubber Gasket
6	3	MH106397	Breaktank Retaining Nut
6	4	MH100500	Pressure Tube 10 x 17mm (Per Mtr)
6	5	MH106466	Hose
6	7	MH105083	3-Way Solenoid Valve
6	13	MH106470	Internal Continuous Water Softener
6	14	MH106473	Gasket for Water Softener
6	15	MH106472	Retaining Nut for Softener
6	16	MH106471	Cap for Water Softener
6	18	MH105611	Rinse Delivery Hose – Length 2 Metre
6	19	MH105091	Ring Nut
6	20	MH100444	Gasket
6	21	MH105092	Overflow Body
6	22	MH100584	Hose Connector - 3 Way
6	23	MH105089	Boiler Vent Hose
6	24	MH102166	Tube WRAS Approved (Per Mtr)
6	25	MH104173	Solenoid Valve Single
6	26	MH100379	Gasket
6	27	MH106409	Water Inlet Hose 3/4"BSP
6	29	MH104438	Drain Connection
6	30	MH100488	O'Ring
6	31	MH103932	Valve Sphere
6	33	MH105146	Non Return Drain Assembly
6	34	MH103935	Rubber Tube
6	35	MH103927	Drain Hose - 1.7 Mtrs 90° Elbow at 1 End
6	43	MH106410	Solenoid For Softener
6	55	MH106440	Formed Hose
6	58	MH106383	Non Return Valve
6	60	MH106364	Threaded Spacer
6	63	MH106463	Hose - c/w Fitted Non-return Valve



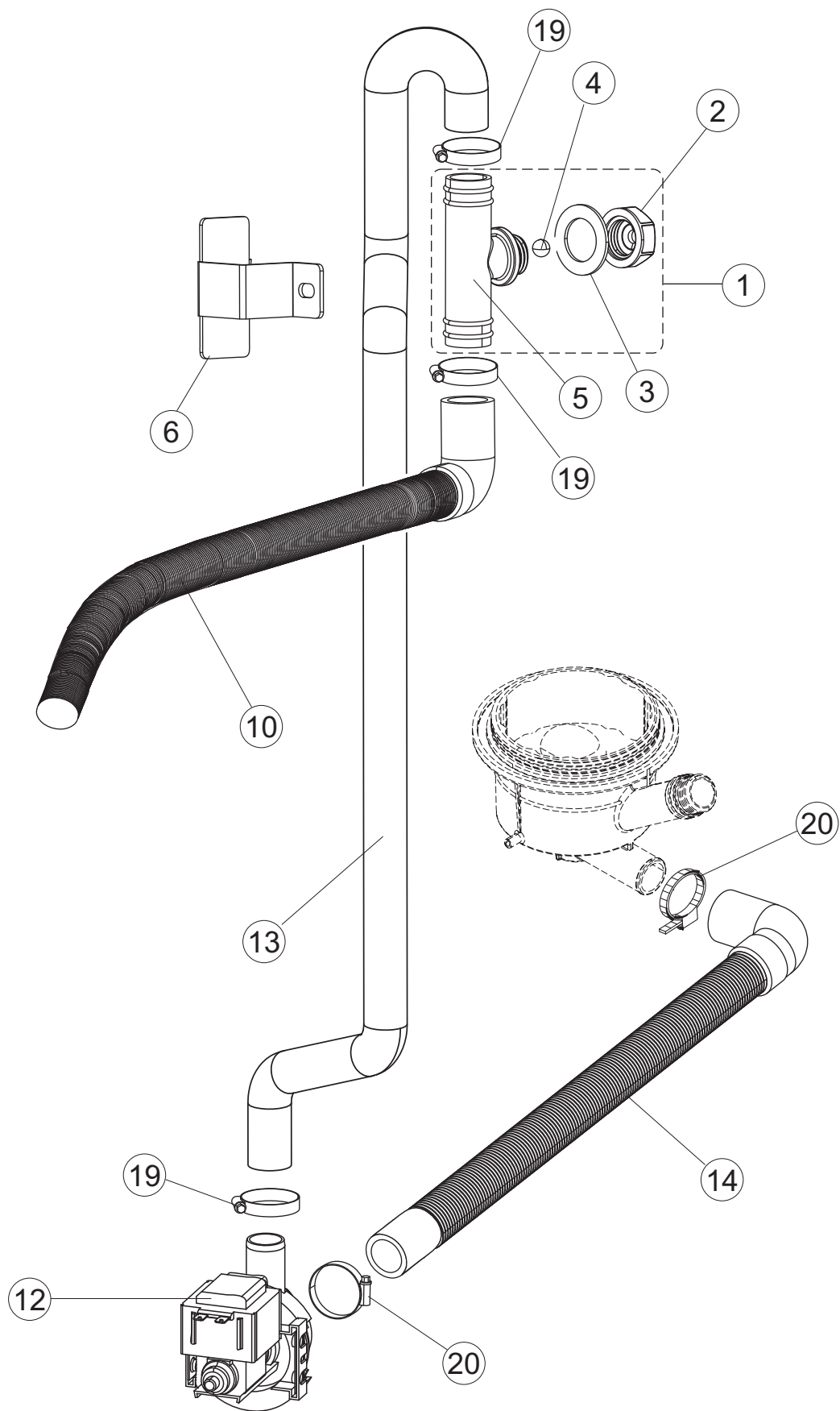
Page	Ref	Part Code	Description
7	1	MH105139	Fixing Ring
7	3	MH106361	Spindle
7	4	MH106368	Parallel Wash/Rinse Arm Composite
7	5	MH106367	Parallel Wash/Rinse Arm Composite
7	8	MH106040	Bush
7	9	MH106041	Cap for Rinse Spindle
7	10	MH106361	Spindle



Page	Ref	Part Code	Description
8	1	MH104392	Wash Pump 1 Phase 230V 470W
8	3	MH103959	Cooling Fan Blade
8	4	MH102172	Capacitor 10uf
8	5	MH104393	Support Bracket
8	6	MH103960	Lock for Shaft Seal
8	7	MH103961	Rotating Shaft Seal
8	8	MH103962	Impeller
8	10	MH103963	Seal For Wash Pump Housing
8	11	MH105106	Front Plate/Wash Pump
8	12	MH103965	Locking Ring/Front Plate
8	13	MH103966	Screw
8	14	MH105484	Electropump Housing



Page	Ref	Part Code	Description
9	1	MH103992	Booster Pump 230V 200W 50Hz
9	2	MH104539	Capacitor 4mf
9	3	MH104447	Wash Pump Bearing
9	4	MH105192	Lock for Shaft Seal
9	5	MH104451	Rotating Shaft Seal
9	6	MH105107	Pump Impeller
9	7	MH104453	O'Ring
9	8	MH105123	Pump Housing



Page	Ref	Part Code	Description
10	1	MH106442	Anti-Syphon Valve
10	2	MH104478	Cap for Anti Syphon Valve
10	3	MH103933	Rubber Gasket
10	4	MH103932	Valve Sphere
10	5	MH101454	Non Return Valve Body
10	6	MH106441	Bracket
10	10	MH103927	Drain Hose - 1.7Mtrs 90° Elbow at 1 End
10	12	MH106385	Drain Pump 220/240-50HZ
10	13	MH106438	Outlet Hose For Drain Pump
10	14	MH104389	Hose
10	19	MH101386	Hose Clip
10	20	MH104746	Hose Clip



FOOD SERVICE EQUIPMENT SPARES LTD

UNIT 4 SANDBROOK PARK, SANDBROOK WAY, ROCHDALE, OL11 1RY

01706 353 633

SALES@FOODSERVICESPARES.COM



WWW.FOODSERVICESPARES.COM