



TECHNICAL DIAGRAMS



ECOMAXPLUS-G503-S

01706 353 633

WWW.FOODSERVICESPARES.COM

WAREWASHING



Dishwashers

ECOMAX PLUS 503

Spare Parts Catalogue

EN



Valid for the following models:**Ecomax Plus G503/F503:**

Eco+G503
Eco+G503S
Eco+F503
Eco+F503S

Note

For other voltages or electric components, refer to the wiring diagram shipped with the machine.

Legend

-  Recommended spare parts
-  Wearing parts

Publisher

HOBART GmbH
Robert-Bosch-Str. 17
77656 Offenburg

Telephone +49(0)781.600-0
Fax +49(0)781.600-23 19

E-Mail: info@hobart.de
Internet: www.hobart.de

Product liability

Installations and repairs which are carried out by non-authorized technicians or the use of other than original spare parts, and any technical alterations to the machine, may affect the warranty set out in the standard conditions of sale.

As continued product improvement is a policy of HOBART, specifications are subject to change without notice.

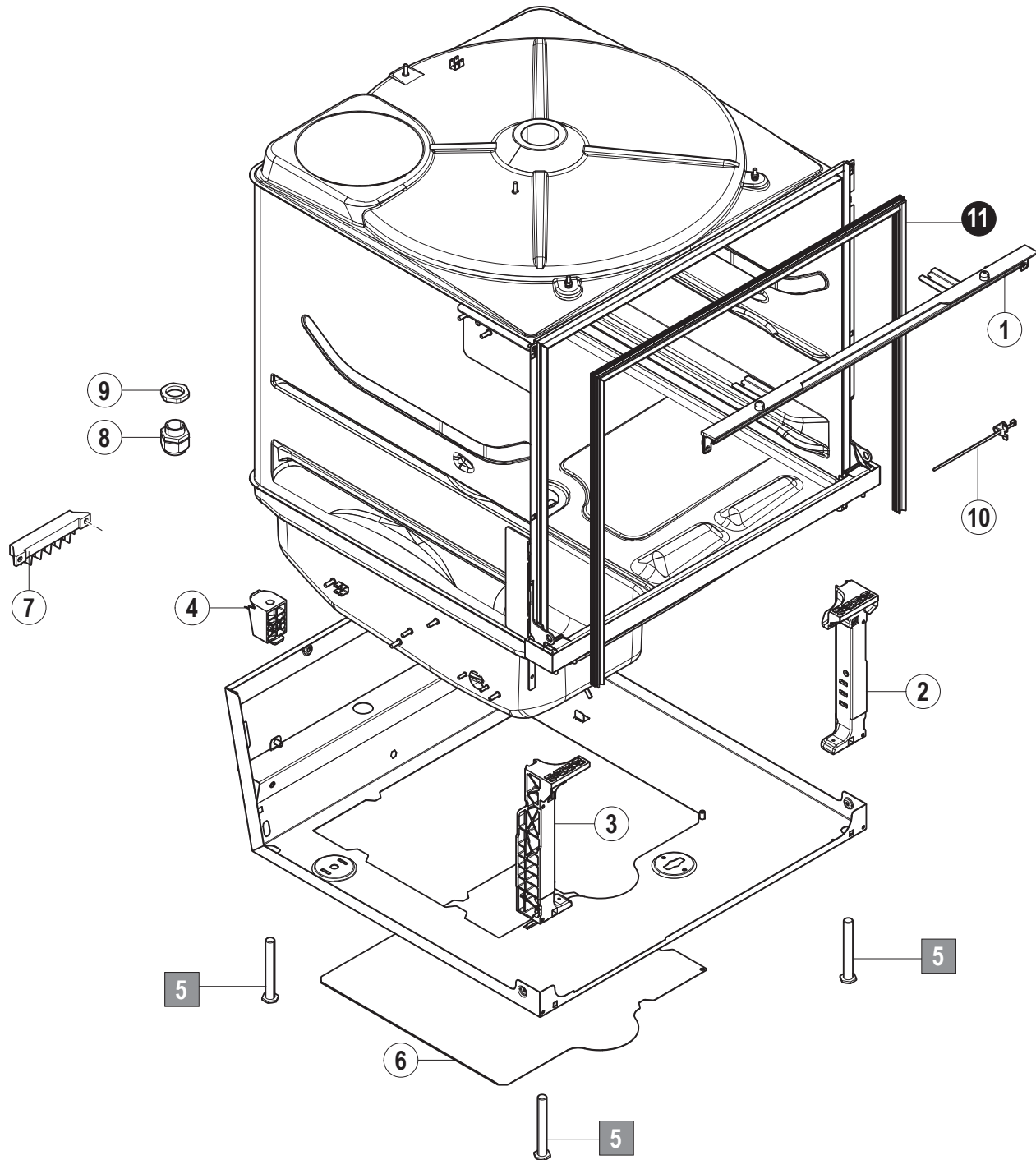
Detailed information can be obtained from your distributor, or from:

SERVICE Tel. 01803 45 62 58
Internet: www.hobart.de
E-Mail: info@hobart.de (innerhalb Deutschland)

© HOBART GmbH, Offenburg 2015

Page	Chapter	Contents
4	1.	Housing
6	2.	Panels without gas pressure spring
8	3.	Panels with gas pressure spring
10	4.	Fill, Drain, and Booster
12	5.	Fill, Drain, and Booster
14	6.	Wash and Drain System
16	7.	Wash and Rinse System
18	8.	Tank and Filter System
20	9.	Detergent/Rinse aid
22	10.	Control

1. Housing

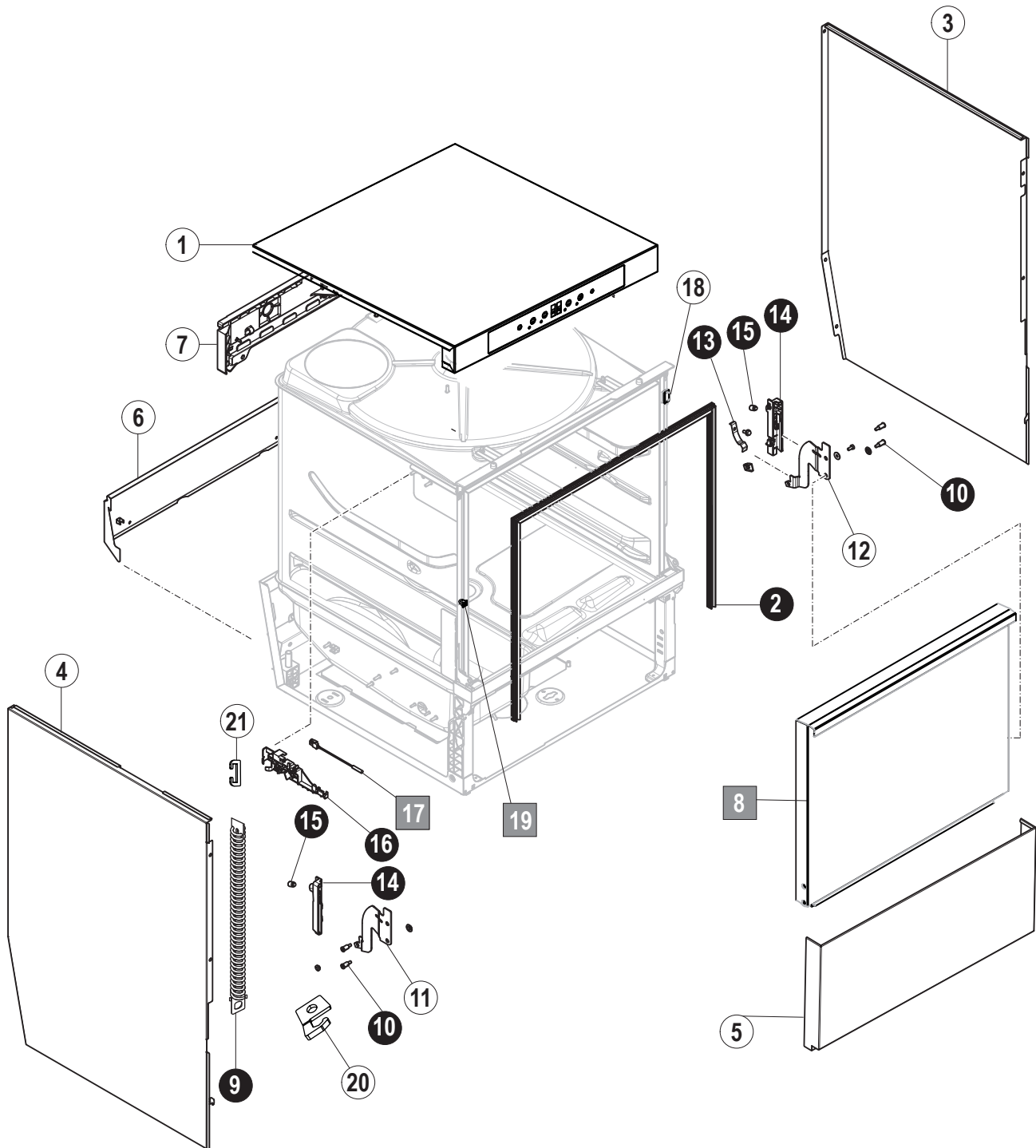


FX 01

Pos. no.	Part no.	Part name	Remarks
1	01-515066-001	Connection element tank	
2	01-515080-001	Base frame front leg, right	
3	01-515081-001	Base frame front leg, left	
4	01-515216-001	Base frame foot rear	
5	01-515197-001	Adjustable foot	Recommended spare part
6	01-515213-011	Base plate	
7	00-774055-001	Connection block	
8	00-695661-004	Cable fitting	
9	00-695664-004	Counter nut	
10	00-691923-001	Fixing strap	
11	01-515367-001	Door sealing	Wearing part

Panels without gas pressure spring

2. Panels without gas pressure spring

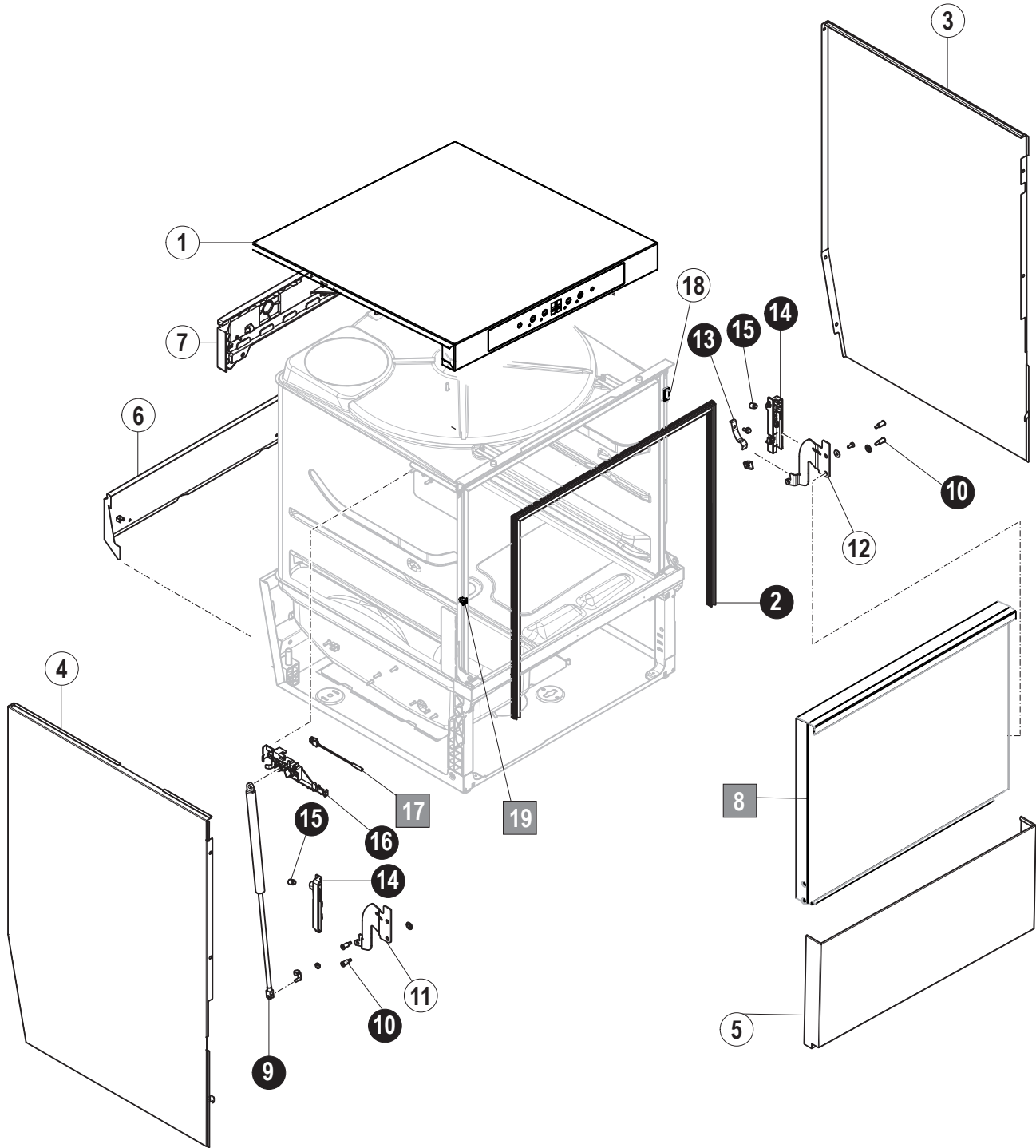


G/F503_02

Pos. no.	Part no.	Part name	Remarks
1	01-515139-003	Covering lid	
2	01-515367-001	Door sealing	Wearing part
3	01-515138-001	Side covering, right	
4	01-515138-002	Side covering, left	
5	01-515069-001	Frontal covering	
6	01-515275-001	Back covering	
7	01-515068-001	Bracket covering	
8	01-515012-003	Door	Recommended spare part
9	01-240244-002	Door spring	Wearing part
10	01-515326-001	Spare parts kit door bolt	Wearing part
11	01-515027-001	Hinge bow, left	
12	01-515027-002	Hinge bow, right	
13	01-515327-001	Spare parts kit flat spring	Wearing part
14	01-515328-001	Spare parts kit guidance rail	Wearing part
15	01-515329-001	Spare parts kit rubber damper	Wearing part
16	01-515254-001	Bracket gas spring	Wearing part
17	01-515276-001	Reed switch	Recommended spare part
18	01-515403-001	Plug	
19	01-775460-001	Clip nut	Recommended spare part
20	01-531695-001	Spring holder	
21	01-294145-002	Spring hook	

Panels with gas pressure spring

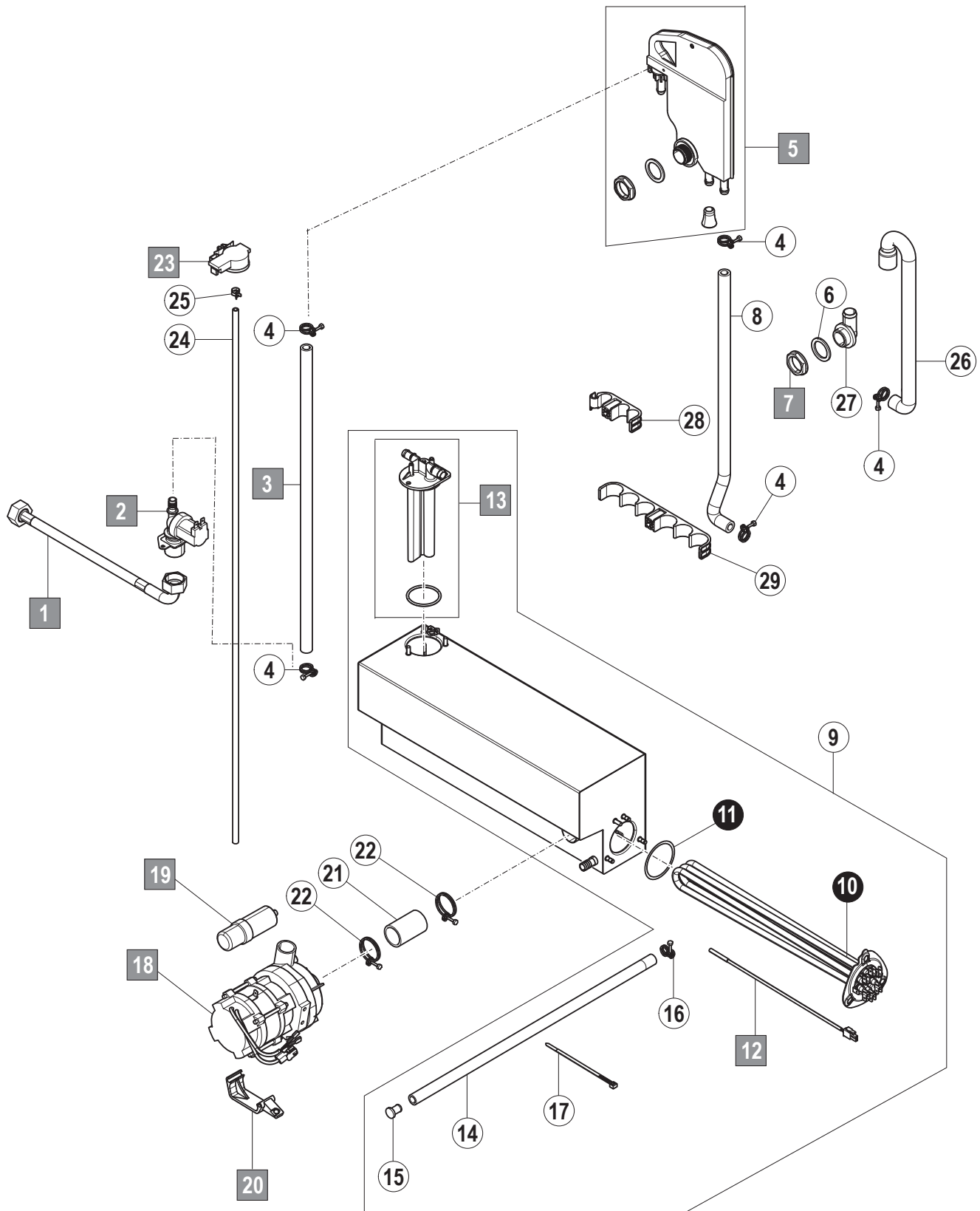
3. Panels with gas pressure spring



FX 02

Pos. no.	Part no.	Part name	Remarks
1	01-515139-003	Covering lid	
2	01-515367-001	Door sealing	Wearing part
3	01-515138-001	Side covering, right	
4	01-515138-002	Side covering, left	
5	01-515069-001	Frontal covering	
6	01-515275-001	Back covering	
7	01-515068-001	Bracket covering	
8	01-515012-003	Door	Recommended spare part
9	01-515330-001	Spare parts kit gas spring	Wearing part
10	01-515326-001	Spare parts kit door bolt	Wearing part
11	01-515027-001	Hinge bow, left	
12	01-515027-002	Hinge bow, right	
13	01-515327-001	Spare parts kit flat spring	Wearing part
14	01-515328-001	Spare parts kit guidance rail	Wearing part
15	01-515329-001	Spare parts kit rubber damper	Wearing part
16	01-515254-001	Bracket gas spring	Wearing part
17	01-515276-001	Reed switch	Recommended spare part
18	01-515403-001	Plug	
19	01-775460-001	Clip nut	Recommended spare part

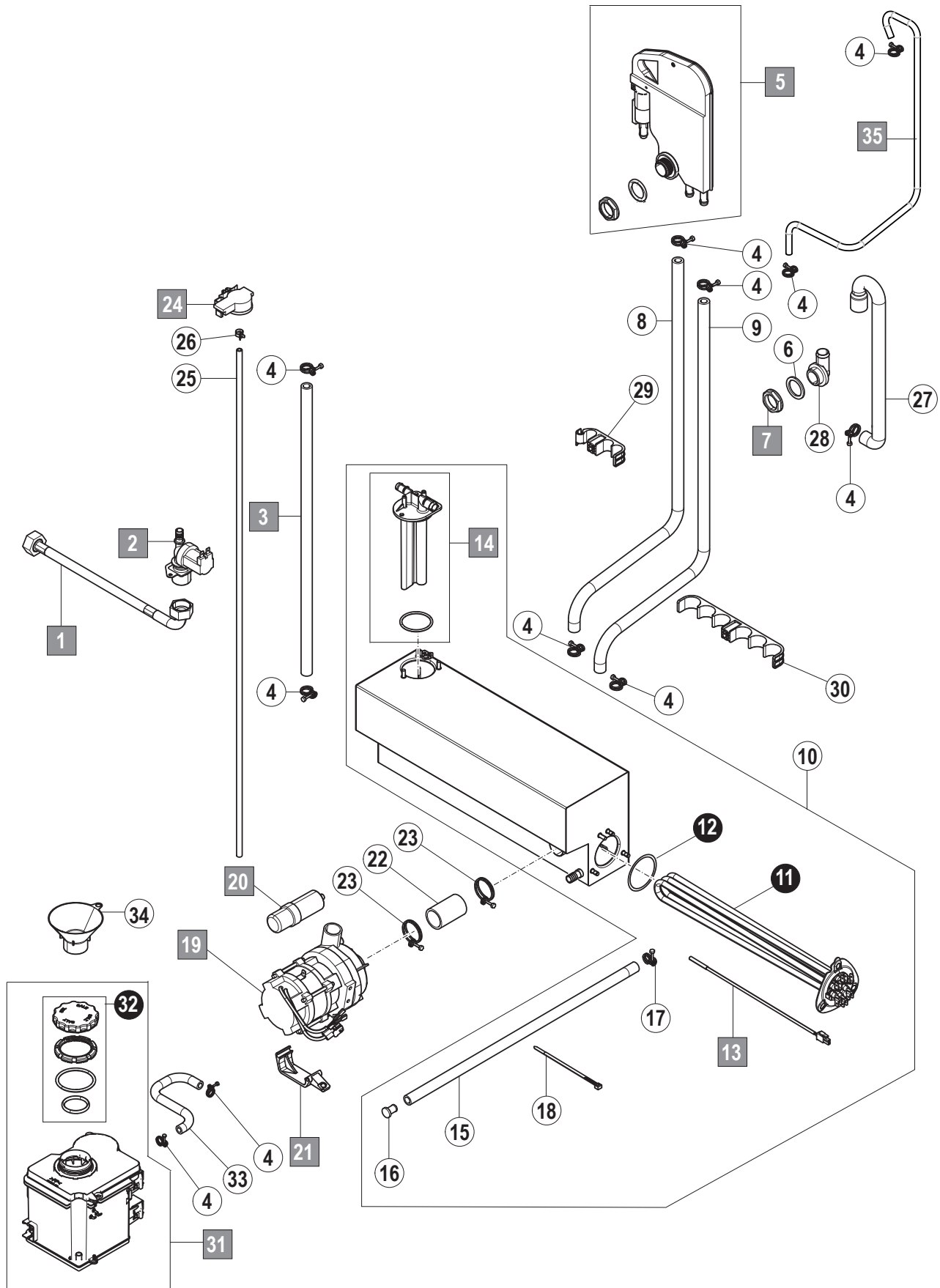
4. Fill, Drain, and Booster



FX 03

Pos. no.	Part no.	Part name	Remarks
1	01-240316-001	Water supply hose	Recommended spare part
2	00-883658-001	Filling valve	Recommended spare part
3	01-246371-004	Hose	Recommended spare part
4	00-323945-018	Hose clip	
5	01-515331-001	Spare parts kit waterbreak	Recommended spare part
6	00-775305-001	Sealing	
7	00-324384-000	Nut	Recommended spare part
8	01-515207-001	Hose	
9	01-515141-001	Hot water tank, compl.	
10	01-515258-001	Hot water tank heater	Wearing part
11	01-240135-011	O-ring	Wearing part
12	00-775612-001	Temperature sensor	Recommended spare part
13	01-515332-001	Spare parts kit hot water tank connection chamber	Recommended spare part
14	00-774080-001	Hose	
15	00-774512-001	Plug	
16	00-323945-015	Hose clip	
17	00-165128-001	Cable tie	
18	01-515260-001	Rinse pump	Recommended spare part
19	00-226568-002	Capacitor	Recommended spare part
20	01-515154-001	Bracket rinse pump	Recommended spare part
21	00-883145-012	Hose	
22	00-323945-037	Hose clip	
23	00-775866-202	Pressure transmitter	Recommended spare part
24	00-324402-001	Hose	
25	01-246214-003	Hose clip	
26	01-515210-001	Hose	
27	00-324097-000	Filler piece	
28	01-515198-001	Hose guidance rail	
29	01-515215-001	Hose guidance rail	

5. Fill, Drain, and Booster

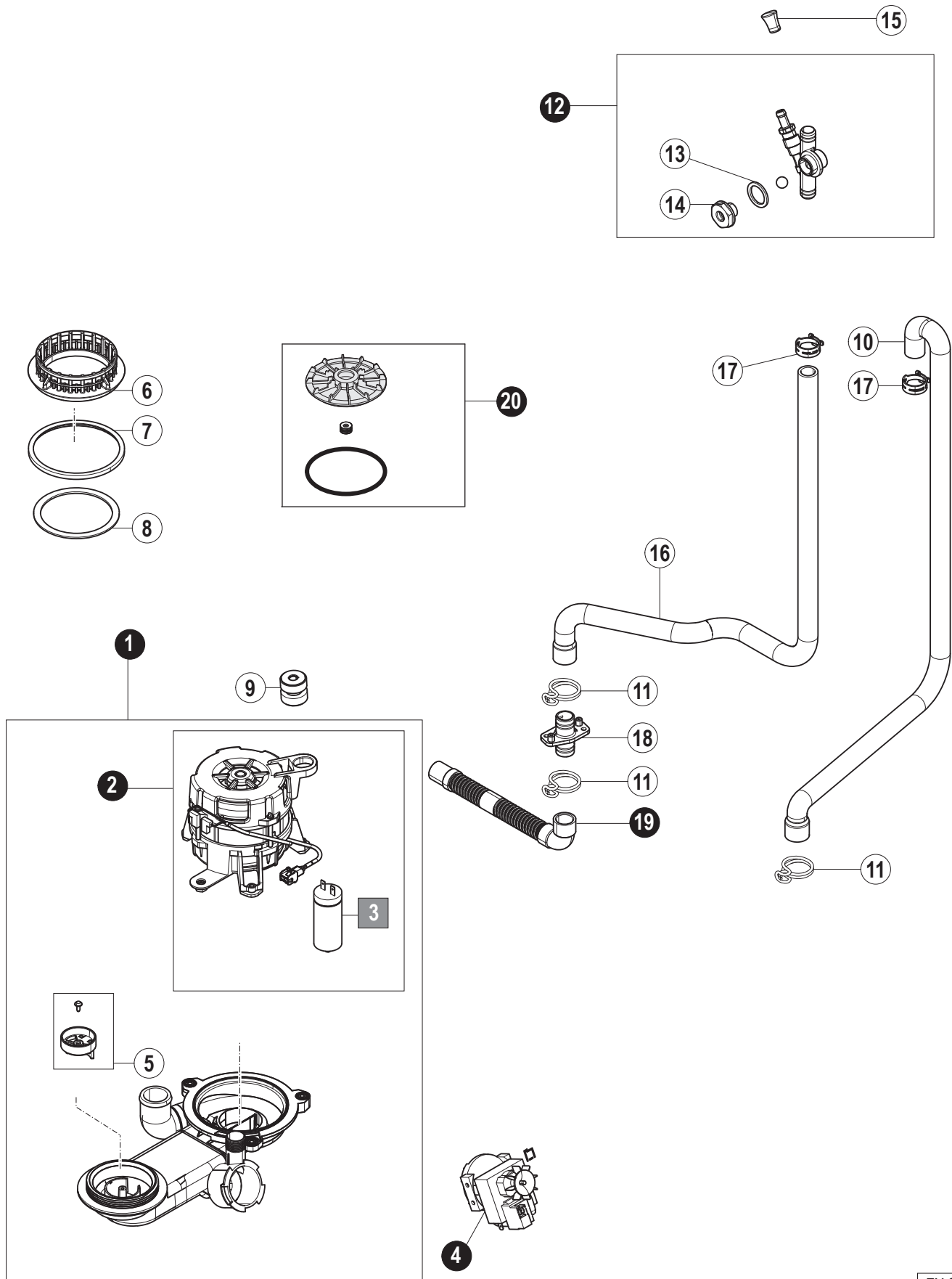


FX 04

Pos. no.	Part no.	Part name	Remarks
1	01-240316-001	Water supply hose	Recommended spare part
2	00-883658-001	Filling valve	Recommended spare part
3	01-246371-004	Hose	Recommended spare part
4	00-323945-018	Hose clip	
5	01-515331-002	Sparepart kit waterbreak	Recommended spare part
6	00-775305-001	Sealing	
7	00-324384-000	Nut	Recommended spare part
8	00-775611-002	Hose	
9	01-515208-001	Hose	
10	01-515141-001	Hot water tank, compl.	
11	01-515258-001	Hot water tank heater	Wearing part
12	01-240135-011	O-ring	Wearing part
13	00-775612-001	Temperature sensor	Recommended spare part
14	01-515332-001	Hot water tank connection chamber	Recommended spare part
15	00-774080-001	Hose	
16	00-774512-001	Plug	
17	00-323945-015	Hose clip	
18	00-165128-001	Cable tie	
19	01-515260-001	Rinse pump	Recommended spare part
20	00-226568-002	Capacitor	Recommended spare part
21	01-515154-001	Bracket rinse pump	Recommended spare part
22	00-883145-012	Hose	
23	00-323945-037	Hose clip	
24	00-775866-202	Pressure transmitter	Recommended spare part
25	00-324402-001	Hose	
26	01-246214-003	Hose clip	
27	01-515210-001	Hose	
28	00-324097-001	Filler piece	
29	01-515198-001	Hose guidance rail	
30	01-515215-001	Hose guidance rail	
31	01-515030-001	Softener	Recommended spare part
32	01-515030-050	Spare parts kit softener cover lid	Wearing part
33	01-515209-001	Hose	
34	01-515277-001	Funnel	
35	01-515201-001	Hose	

Wash and Drain System

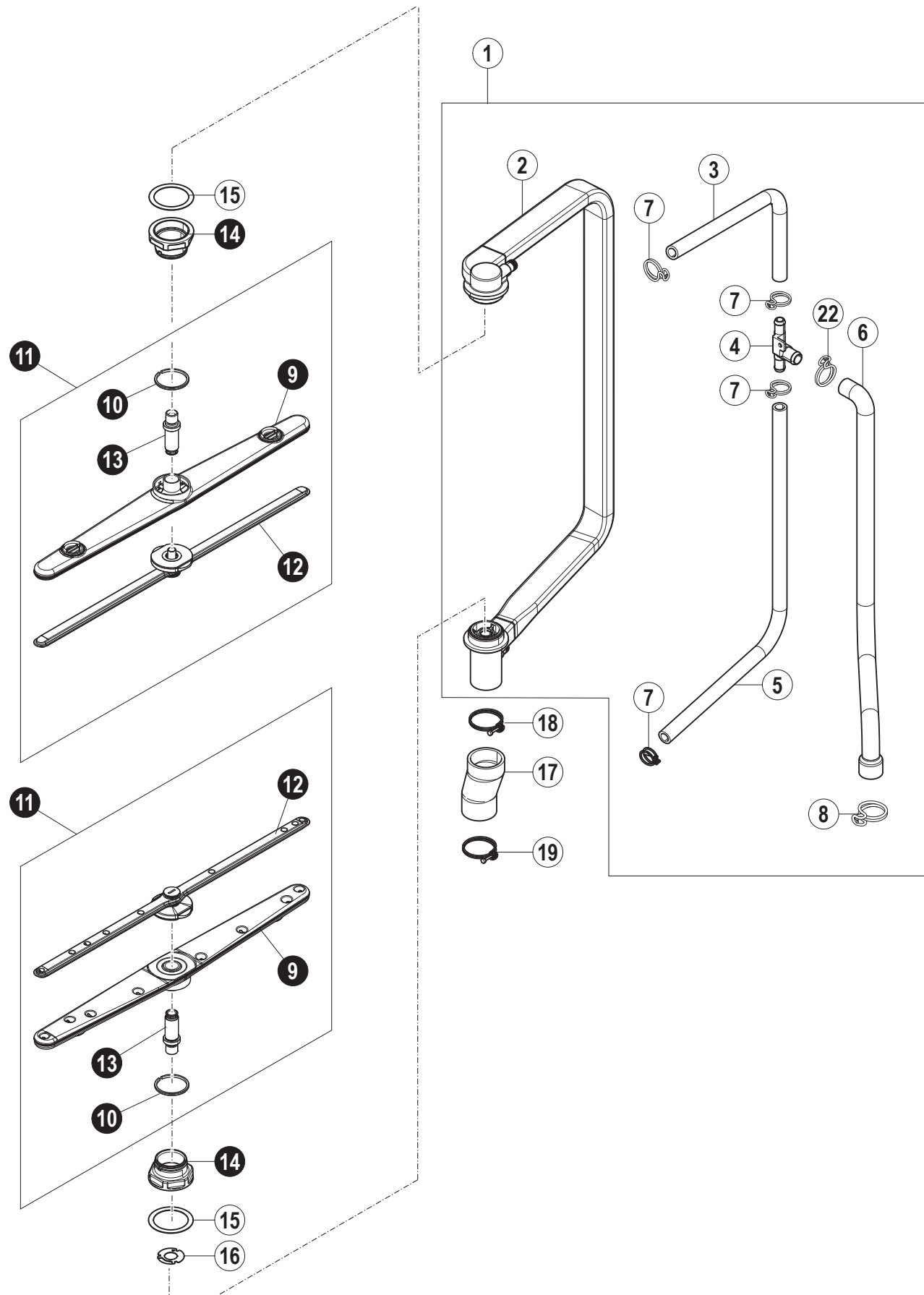
6. Wash and Drain System



FX 05

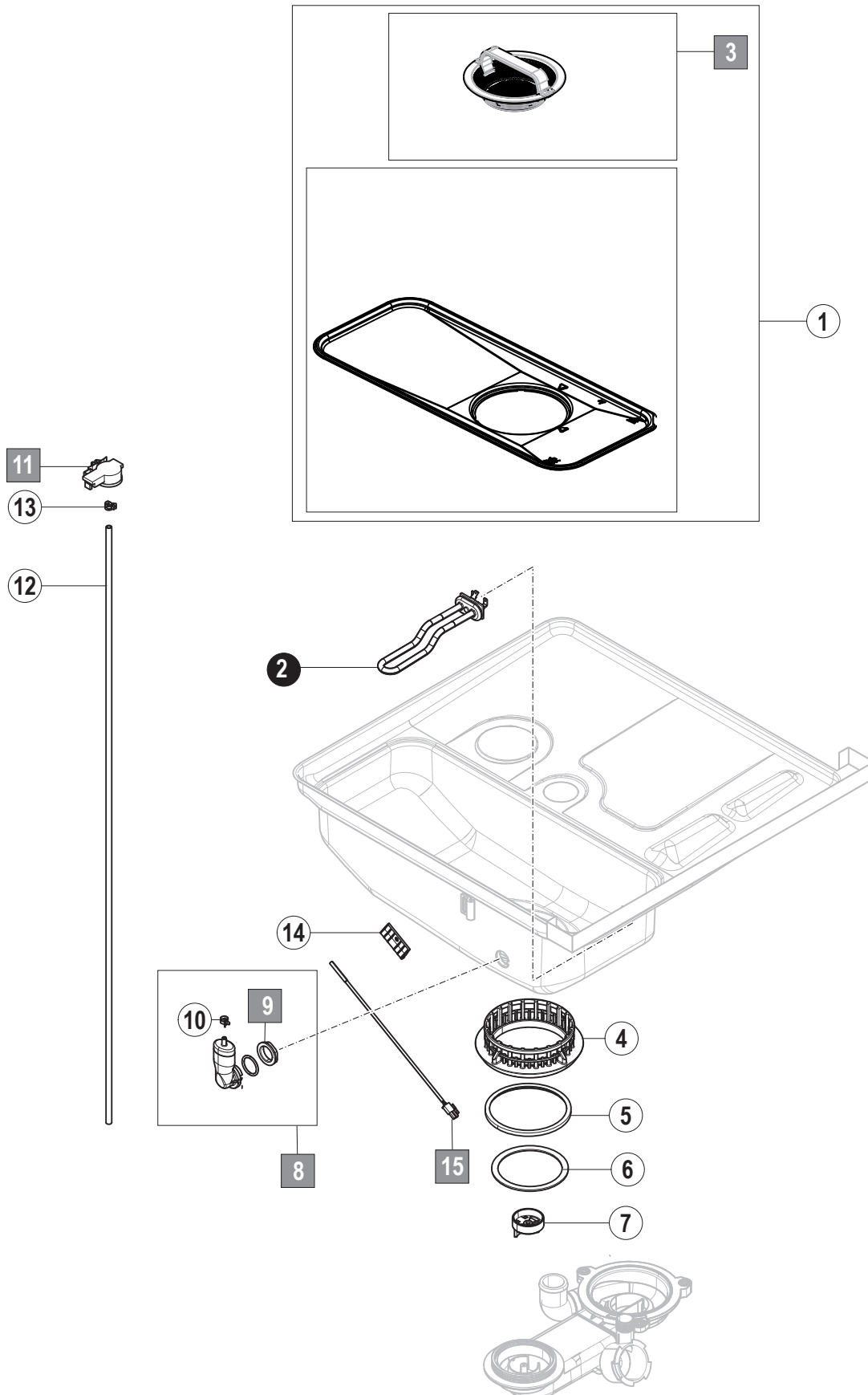
Pos. no.	Part no.	Part name	Remarks
1	01-515355-001	Wash pump, compl.	Wearing part
2	01-515183-001	Wash pump	Wearing part
3	00-226568-014	Capacitor	Recommended spare part
4	01-240010-001	Drain pump	Wearing part
5	01-240395-001	Flipper	
6	01-515055-001	Nut, suction	
7	01-240296-001	Supporting ring	
8	01-240178-001	Sealing	
9	01-240186-001	Vibration damper	
10	01-515202-002	Hose	
11	00-324510-327	Hose clip	
12	01-240142-001	Ventilation valve, compl.	Wearing part
13	00-775305-001	Sealing	
14	01-240144-001	Nut	
15	00-775531-001	Blind plug	
16	01-515203-001	Hose	
17	01-246214-001	Hose clip	
18	01-240159-001	Drain connection	
19	00-883961-002	Drain hose	Wearing part
20	01-240374-001	shaft seal - replacement kit	Wearing part

7. Wash and Rinse System



Pos. no.	Part no.	Part name	Remarks
1	01-515212-001	Riser compl.	
2	01-515160-001	Riser	
3	01-515205-001	Hose	
4	00-324071-001	T-piece	
5	01-515206-001	Hose	
6	01-515204-001	Hose	
7	00-324510-202	wire hose clamp	
8	01-324510-327	wire hose clamp	
9	01-515111-001	Wash arm, compl.	with clip-in
	01-240050-001	Wash arm, compl.	without clip-in
10	01-515356-001	Sealing ring	
11	01-515447-001	Spare parts kit rinse- and wash system	with clip-in
12	01-539620-001	Rinse arm assembled	with clip-in
	01-240096-003	Rinse arm assembled	without clip-in
13	01-539034-001	Axle	with clip-in
	01-240097-001	Axle	without clip-in
14	01-515112-001	Separating nut	with clip-in
	01-240021-001	Separating nut	without clip-in
15	00-172986-019	Sealing	
16	01-515434-001	Orifice plate	
17	01-240164-001	Spring band clamp	
18	00-323945-049	Screw terminal	
19	00-323945-046	Screw terminal	

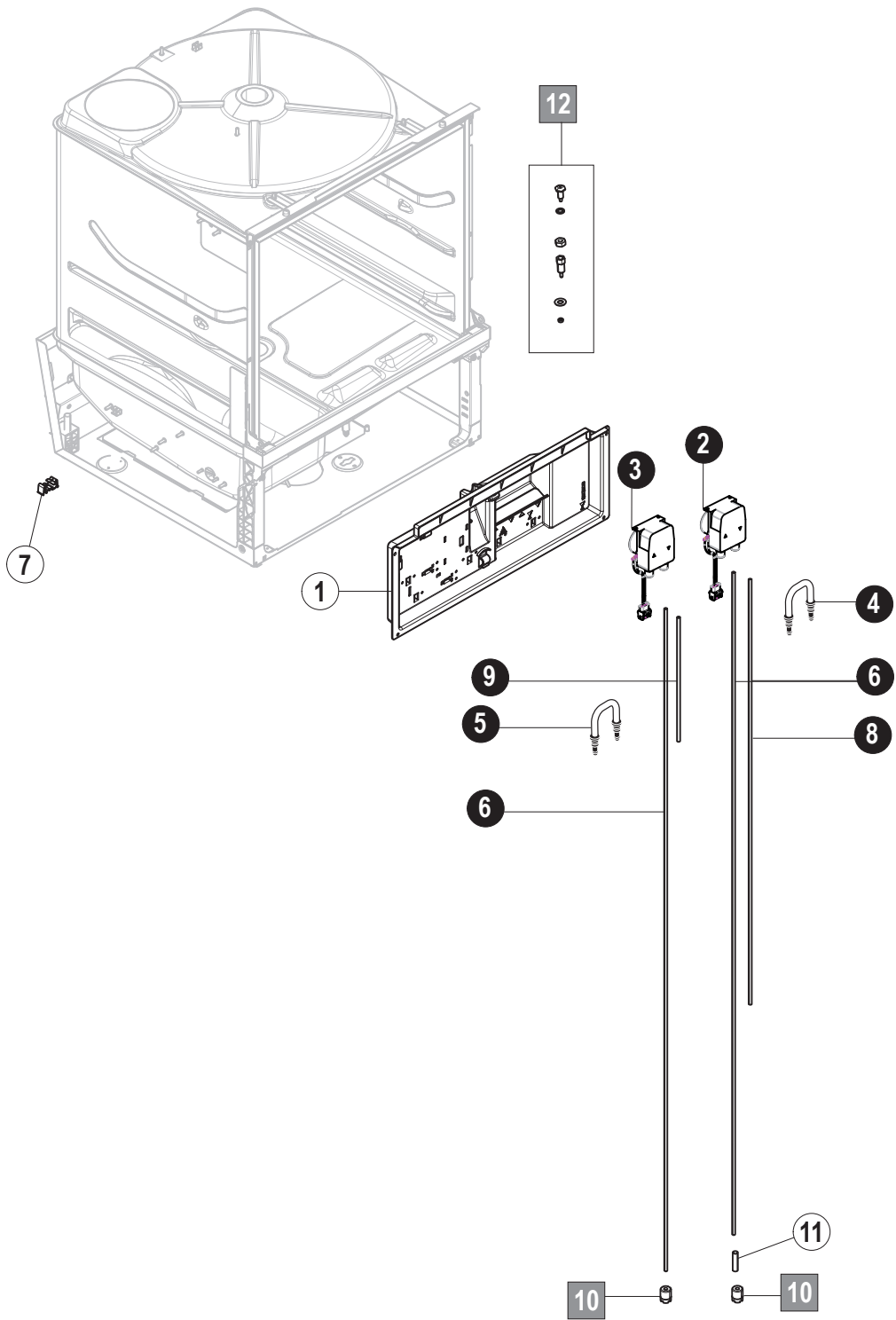
8. Tank and Filter System



FX 07

Pos. no.	Part no.	Part name	Remarks
1	01-515016-003	strainer system	
2	01-240247-001	Immersion heater	Wearing part
3	01-515133-002	Strainer basket, compl.	Recommended spare part
4	01-515055-001	Nut, suction	
5	01-240296-001	Supporting ring	
6	01-240178-001	Sealing	
7	01-240395-001	Flipper	
8	01-515334-001	Air chamber, replacement kit	Recommended spare part
9	00-324384-000	Nut	Recommended spare part
10	01-246214-003	Hose clip	
11	00-775866-202	Pressure transmitter	Recommended spare part
12	00-324402-007	Hose	
13	01-246214-003	Hose clip	
14	01-297719-001	Bracket temperature sensor	
15	00-775612-001	Temperature sensor	Recommended spare part

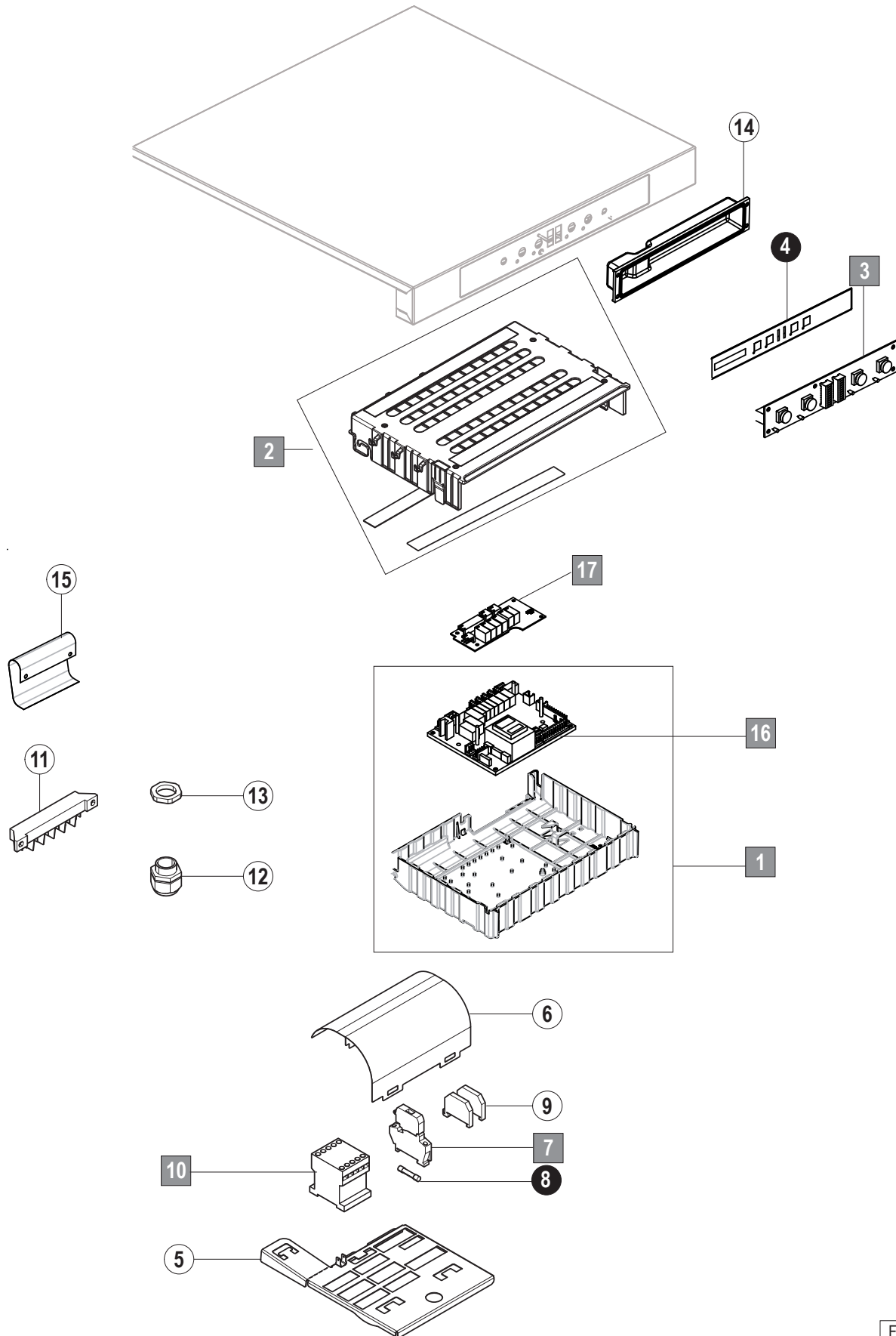
9. Detergent/Rinse aid



FX 08

Pos. no.	Part no.	Part name	Remarks
1	01-515295-001	Electrical cover	
2	01-515269-006	Dosing unit rinse aid	Wearing part
3	01-515269-002	Dosing unit detergent	Wearing part
4	00-775608-003	Spare parts kit peristaltic hose rinse aid	Wearing part
5	00-775608-002	Spare parts kit peristaltic hose detergent	Wearing part
6	01-246301-001	Suction hose	Wearing part
7	01-515242-001	Hose guidance rail	
8	01-246301-018	Pressure hose rinse aid	Wearing part
9	01-246301-007	Pressure hose detergent	Wearing part
10	00-775239-001	Suction piece	Recommended spare part
11	01-246210-001	Hose shell, blue	
12	00-883676-002	Spare parts kit dosing nipple	Recommended spare part

10. Control



FX 10

Pos. no.	Part no.	Part name	Remarks
1	01-515407-001	Sparepart kit control system	Recommended spare part
2	01-515252-001	Sparepart kit outer casing	Recommended spare part
3	00-897560-002	Operating and display unit	Recommended spare part
4	01-297749-002	film keypad	Wearing part
5	01-515274-001	Mounting plate, contactor	
6	01-515294-001	Protective sheet	
7	00-775548-001	Fuse clip and disconnect terminal	Recommended spare part
8	00-775570-001	Fuse	Wearing part
9	00-323981-001	End clamp	
10	00-695521-062	Contactor	Recommended spare part
11	00-774055-001	Connection block	
12	00-695661-004	Cable fitting	
13	00-695664-004	Counter nut	
14	01-515409-001	Operation unit cover	
15	01-240283-002	Cover foil	
16	00-897545-001	Control PCB	Recommended spare part
17	00-897546-002	Extension board (softener versions only)	Recommended spare part

ecomax by HOBART

Robert-Bosch-Str. 17
77656 Offenburg
Telefon +49(0)1803 66 29
Fax +49(0)1803 63 29
E-Mail: info@ecomaxbyhobart.de
Internet: www.ecomaxbyhobart.de

HOBART Export

Robert-Bosch-Str. 17
77656 Offenburg
Germany
Phone: +49 (0)781.600-2820
Fax: +49 (0)781.600-2819
E-Mail: info-export@hobart.de
Internet: www.hobart-export.com

Hobart UK.

Southgate Way,
Orton Southgate,
Peterborough
PE2 6GN
United Kingdom
Tel.: +44 (0)844 888 7777
Republic of Ireland: +353 (0)1246 0248
Fax: +44 (0)1733 361 347
E-mail: part.sales@hobartuk.com
Internet: www.hobartuk.com

Compagnie HOBART SAS

Allée du 1er mai
77183 Croissy Beaubourg
FRANCE
Tel: +33 (0)1 64 11 60 00
Fax: +33 (0)1 64 11 60 10
E-mail: contact@hobart.fr
Internet: www.hobart.fr

Hobart Nederland BV

Pompmolenlaan 12
3447 GK Woerden
Telefoon +31 (0)348 462626
Fax: +31 (0)348 430117
E-mail: info@hobartnederland.nl
Internet: www.hobartnederland.nl

Hobart Foster Belgium bvba/sprl

Industriestraat 6
1910 Kampenhout
Telefoon +32 (0) 16.60.60.40
Fax +32 (0) 16.60.59.88
E-mail: info@hobart.be
Internet: www.hobart.be

Hobart Norge

Gamle Drammenvei 120
N-1363 Høvik
Tlf.: +47-67109800
E-post: post@hobart.no
Hjemmeside: www.hobart.no

Hobart Scandinavia ApS

Håndværkerbyen 27
2670 Greve
Danmark
Tlf.: +45 4390 5012
Fax.: +45 4390 5002
E-mail: salg@hobart.dk
Internet: www.hobart.dk

Hobart Sweden/Finland

Tel: +46 8 584 50 920
E-mail: info@hobart.se
Internet: www.hobart.se

Australia**Hobart Food Equipment**

Unit 1 / 2 Picken Street,
Silverwater NSW, 2128
Tel: +61 1800 462 278
Fax: +61 02 9714 0222
E-mail: sales@hobartfood.com.au
Internet: www.hobartequipment.com.au

HOBART China

15th Floor, Building A
New Caohejing International Business
Center
391 Gui Ping Road
Shanghai, 200233
Telephone: +86 (0)21 34612000
Fax: +86 (0)21 34617166
Internet: www.hobartchina.com



FOOD SERVICE SPARES LTD

UNIT 4 SANDBROOK PARK, SANDBROOK WAY, ROCHDALE, OL11 1RY

01706 353 633

SALES@FOODSERVICESPARES.COM



WWW.FOODSERVICESPARES.COM