



TECHNICAL DIAGRAMS



DISH/GLASS WASHER
AMIKA 40XL (2014)

01706 353 633

WWW.FOODSERVICESPARES.COM



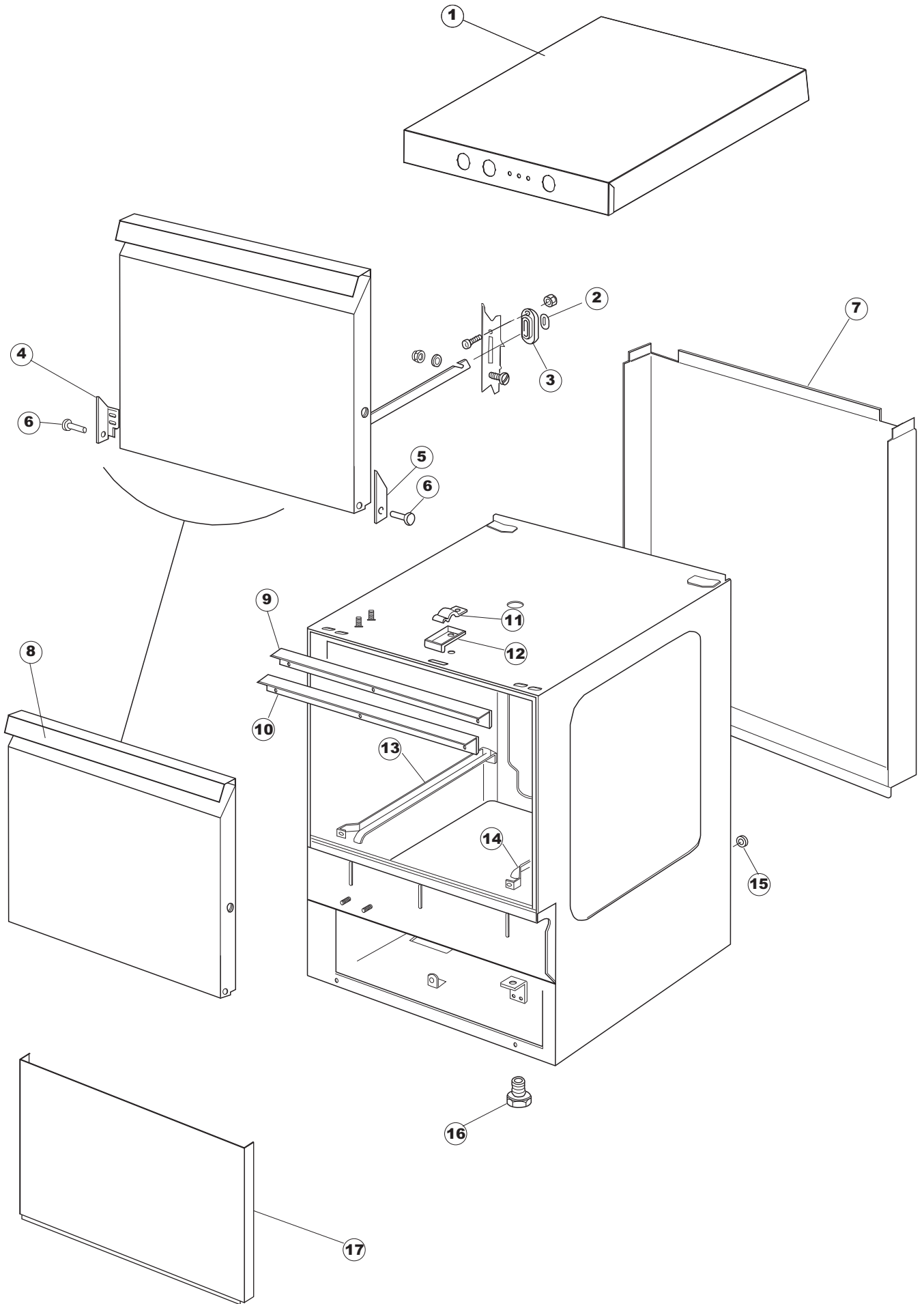
AMIKA 40XL

PARTS BOOK

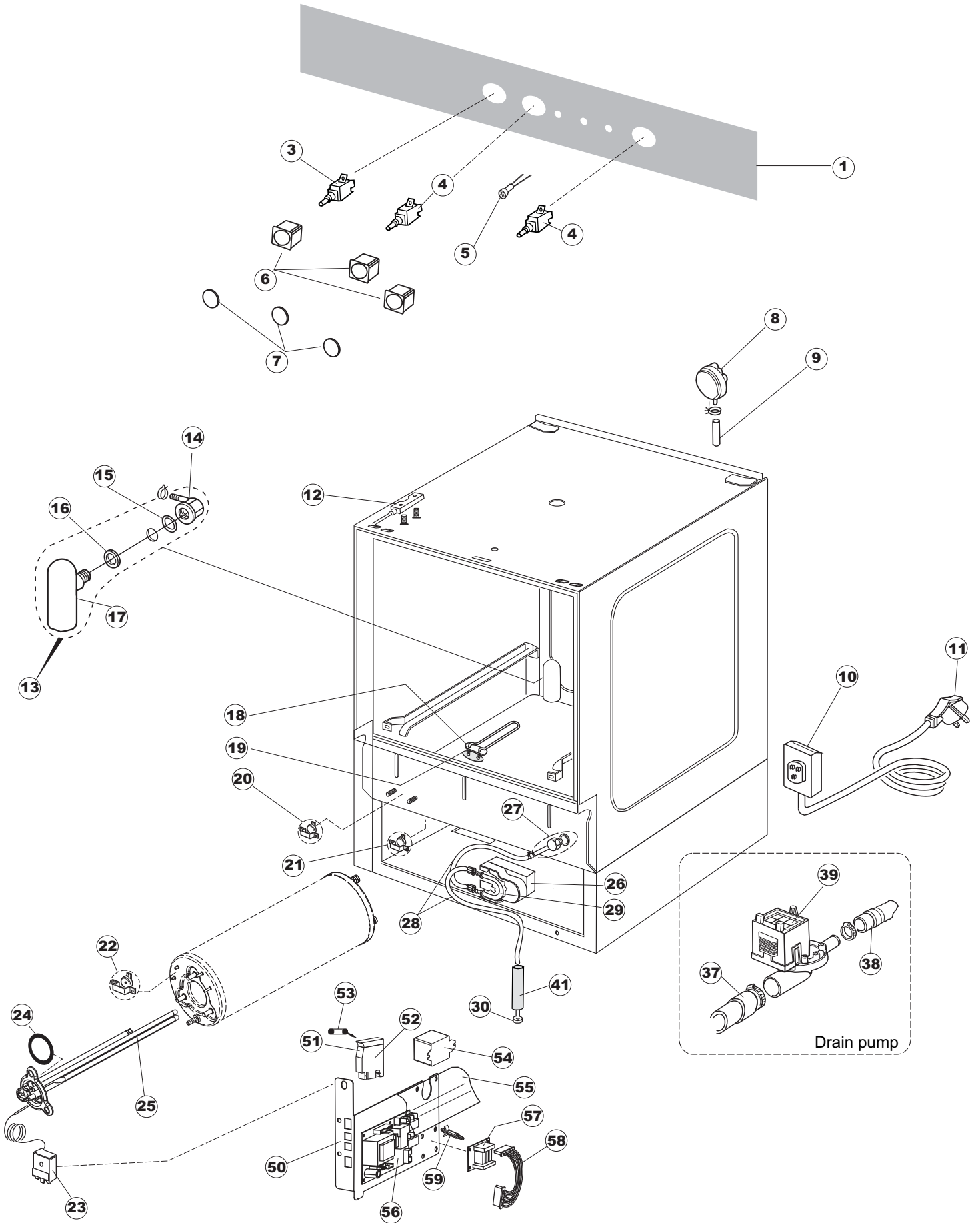
From S/N: 271 1 0F1

APRIL-2014

1

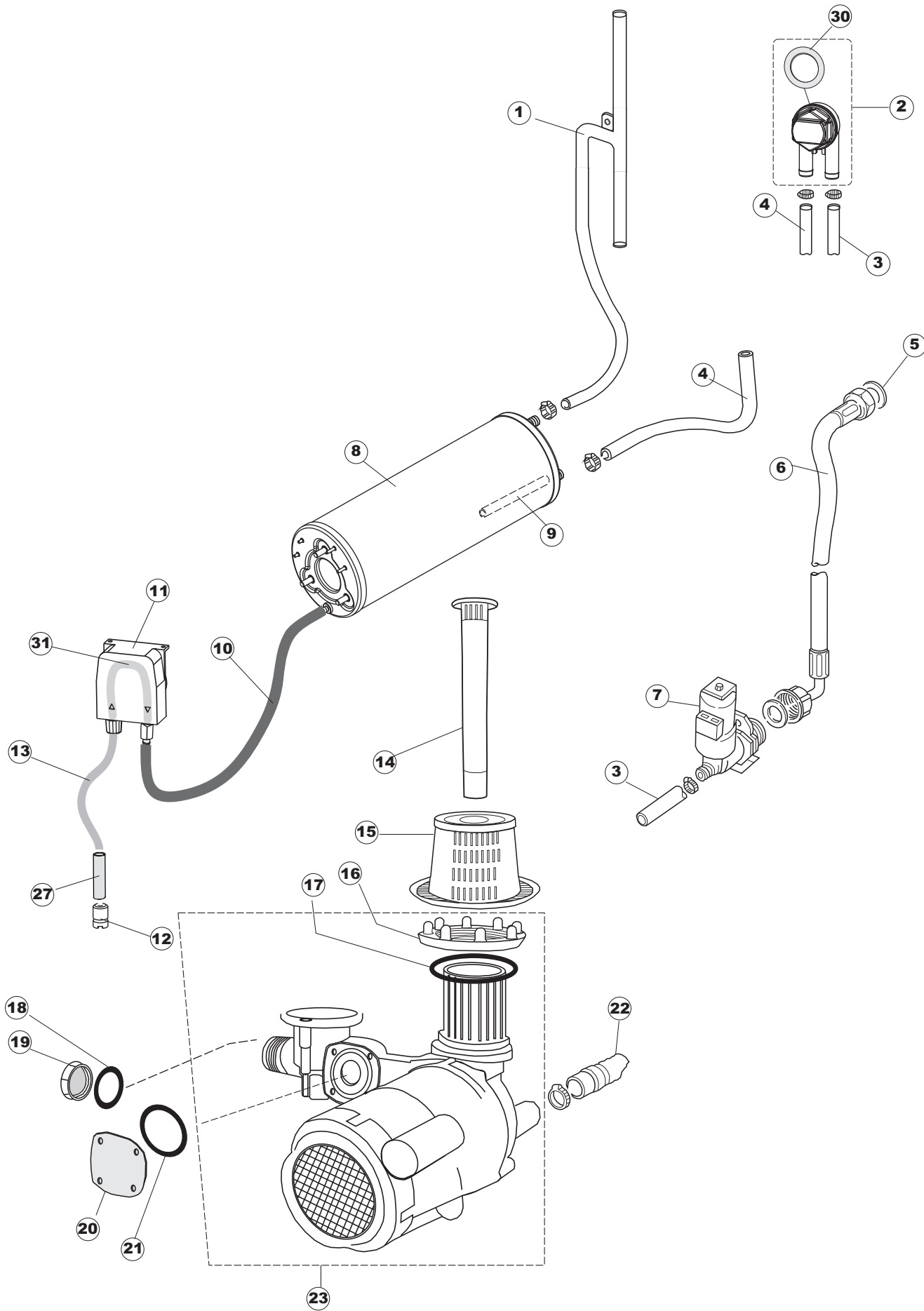


Page	Ref	Part Code	Description
1	1	MH104497	TOP PANEL
1	2	MH100388	INSERT FOR DOOR STAY GUIDE
1	3	MH100423	GUIDE FOR DOOR
1	4	MH100341	DOOR HINGE – L/H
1	5	MH100342	DOOR HINGE – R/H
1	6	MH100432	PIN FOR DOOR HINGE
1	7	MH100424	BACK PANEL
1	8	MH104530	DOOR
1	9	MH100431	GASKET – DOOR
1	10	MH100430	BRACKET – DOOR GASKET
1	11	MH100345	DOOR CATCH – TOP SECTION
1	12	MH100346	DOOR CATCH – BOTTOM SECTION
1	13	MH100429	BASKET RUNNER – L/H
1	14	MH100428	BASKET RUNNER – R/H
1	15	MH100347	CABLE GLAND
1	16	MH100348	MACHINE FOOT
1	17	MH101441	FRONT PANEL



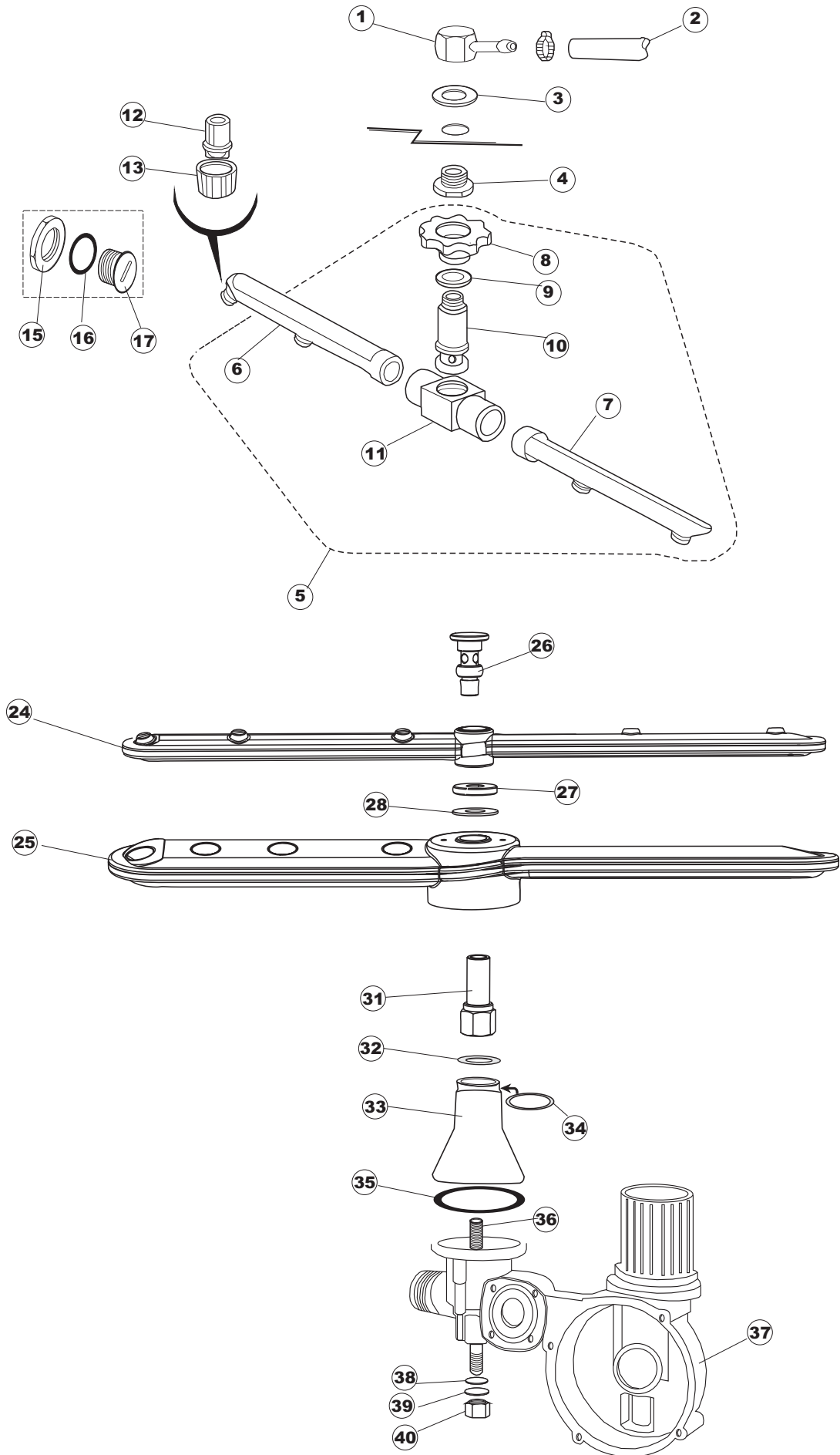
Page	Ref	Part Code	Description
2	1	MH104508	FASCIA
2	3	MH100199	SWITCH 2 POLE 250V 2CO 16A
2	4	MH101700	SWITCH 2 POLE 16A 250V
2	5	MH101431	INDICATOR LAMP dia.6mm 230V YELLOW
2	6	MH104494	SWITCH HOUSING
2	7	MH104489	GREY BUTTON – ROUND dia.21mm
2	8	MH100352	PRESSURE SWITCH 35/17
2	9	MH104386	TUBE 4x6mm PVC (10Mtr pack)
2	10	MH102024	CABLE CONNECTOR BLOCK
2	11	MH104345	MAINS SUPPLY CONNECTOR
2	12	MH104286	DOOR SWITCH
2	13	MH100372	AIR BOX ASSEMBLY
2	14	MH100376	ELBOW CONNECTOR–AIR BOX
2	15	MH100375	O-RING
2	16	MH100374	O-RING – AIR BOX CONNECTION
2	17	MH100373	AIR BOX
2	18	MH100371	ELEMENT 1.6Kw -WASH TANK – c/w GASKET
2	19	MH100370	GASKET L=46mm W=22mm – WASH TANK
2	20	MH100369	THERMOSTAT for WASH TANK 60deg C
2	21	MH100368	SAFETY THERMOSTAT – WASH TANK 95deg C
2	22	MH100367	SAFETY THERMOSTAT 110deg C - BOILER
2	23	MH105006	THERMOSTAT 83deg C FIXED – BOILER
2	24	MH101357	O-RING–BOILERELEMENT
2	25	MH101358	ELEMENT 2.6Kw – TRIANGULAR FLANGE
2	26	MH103905	DETERGENT PUMP
2	27	MH104266	DETERGENT ELBOW– METAL M12
2	28	MH104265	TUBE 4x6 CLEAR- per MTR.
2	29	MH104642	INTERNAL DET. SQUEEZE TUBE
2	30	MH103645	BOTTLE WEIGHT & FILTER
2	37	MH100356	HOSE – DRAIN PUMP INLET
2	38	MH100355	DRAIN HOSE L=2450mm dia=22mm
2	39	MH100354	DRAIN PUMP 40W 230V – c/w BRACKET
2	41	MH100363	TUBING – BOTTLE SUPPORT
2	50	MH104507	MOUNTING PLATE
2	51	MH103967	HOLDER FOR FUSE
2	52	MH103968	PLATE
2	53	MH105007	FUSE T4AL 250V
2	54	Q385495	RELAY – 8 PIN
2	55	MH100357	PLASTIC COVER 230 x 200mm

2	56	MH105003	MAIN PCB
2	57	MH104512	AUXILLERY RELAY PCB
2	58	MH105004	WIRING LOOM TO AUX RELAY PCB
2	59	MH104622	PCB MOUNTING PEG

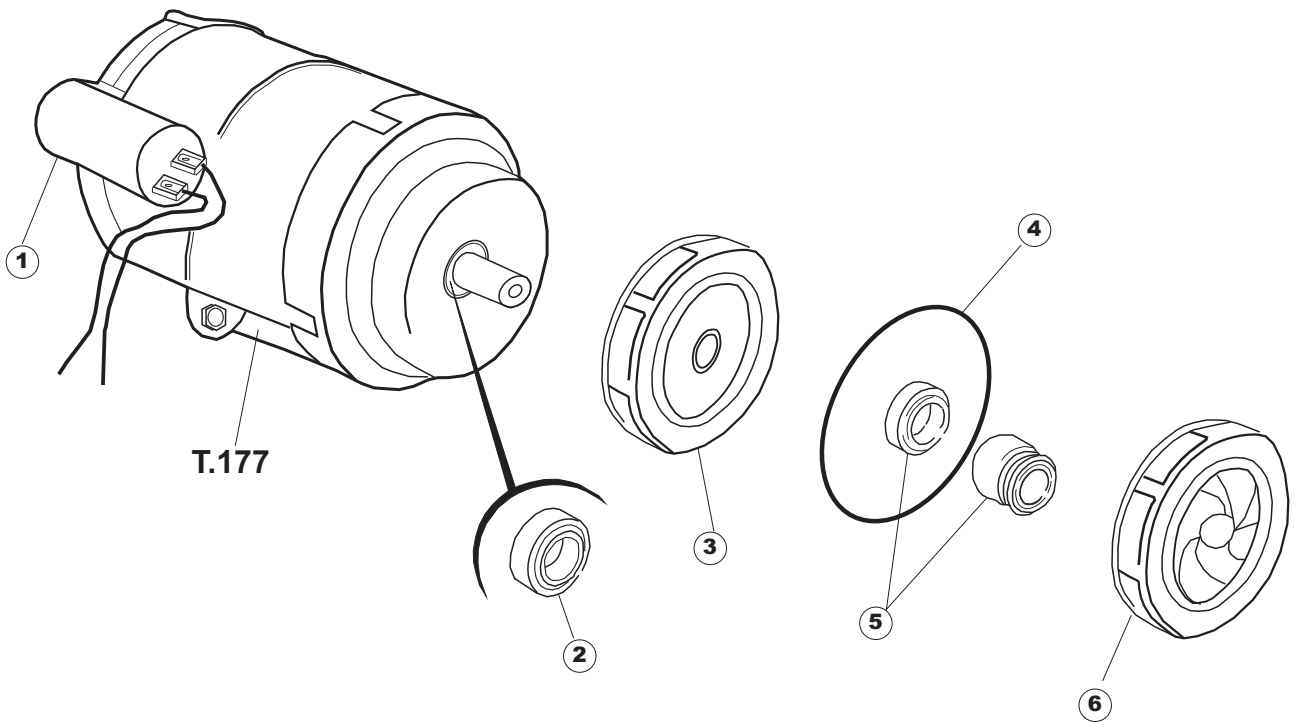


Page	Ref	Part Code	Description
3	1	MH100059	RINSE TUBE-REAR
3	2	MH104488	AIR BOX
3	3	MH100060	TUBE
3	4	MH100061	TUBE
3	5	MH100379	WASHER S641 EXPO
3	6	MH100540	FEED TUBE DVGW
3	7	MH103662	SOLENOID VALVE – SINGLE STRAIGHT 11.5mm
3	8	MH100633	BOILER
3	9	MH100042	TUBE
3	10	MH104388	TUBE 5x11mm - PRESSURE SWITCH per. Mtr.
3	11	MH103956	RINSE AID DOSER – HYDRAULIC
3	12	MH103645	BOTTLE WEIGHT & FILTER
3	13	MH103969	TUBE 4x6mm PVC (1Mtr. Pack)
3	14	MH100397	DRAIN PLUG
3	15	MH100396	FILTER-WASH PUMP dia.112mm – PLASTIC
3	16	MH100395	DRAIN CROWN
3	17	MH102518	GASKET
3	18	MH100393	WASHER-BLANKCOVER
3	19	MH100392	BLANK COVER
3	20	MH102352	BLANK
3	21	MH100399	GASKET
3	22	MH100382	DRAIN HOSE L=1500mm
3	23	MH100956	WASH PUMP 0.24Kw c/w CAPACITOR
3	27	MH100363	TUBING – BOTTLE SUPPORT
3	30	MH100444	GASKET - RUBBER
3	31	MH104643	INTERNAL SQUEEZE TUBE – RINSE AID

4



Page	Ref	Part Code	Description
4	1	MH100398	RINSE ELBOW – TOP
4	2	MH100059	RINSE TUBE – REAR
4	3	MH100399	GASKET
4	4	MH100400	THREADED BUSH
4	5	MH100404	RINSE ARM COMPLETE TOP ASSY. 4 JETS
4	6	MH100407	RINSE ARM TOP 2 JETS (STRAIGHT END JET)
4	7	MH100405	RINSE ARM TOP 2 JETS (ANGLED END JET)
4	8	MH100401	LOCK NUT – TOP RINSE ARM
4	9	MH100402	WASHER – TOP RINSE ARM
4	10	MH100403	SPINDLE – TOP RINSE ARM
4	11	MH100406	ROTATING TOP RINSE BOSS
4	12	MH100409	RINSE JET CENTRE
4	13	MH100408	RETAINER FOR RINSE JET
4	15	MH104023	NUT
4	16	MH100046	O-RING 24x2.5mm
4	17	MH104024	FITTING
4	24	MH104498	RINSE ARM COMPLETE
4	25	MH104495	WASH ARM COMPLETE
4	26	MH104373	RINSE ARM SPINDLE
4	27	MH103846	THUMB NUT
4	28	MH103844	GASKET – TEFLON
4	31	MH104374	WASH ARM SPINDLE
4	32	MH100417	DISC – WATER FLOW REDUCER
4	33	MH100416	CENTRAL MANIFOLD – NO SPIGOT
4	34	MH100410	GASKET
4	35	MH100415	O-RING 153mm
4	36	MH100411	CENTRAL SPINDLE
4	37	MH100412	IMPELLOR HOUSING
4	38	MH100414	O-RING
4	39	MH103426	O-RING – RINSE FEED TUBE
4	40	MH100413	LOCK NUT



Page	Ref	Part Code	Description
5	1	MH103210	CAPACITOR 6.3Mf
5	2	MH100422	BEARING
5	3	MH100421	IMPELLER HOUSING – REAR
5	4	MH101437	O-RING – WASH PUMP
5	5	MH100725	MECHANICAL SEAL
5	6	MH100448	IMPELLER



FOOD SERVICE SPARES LTD

UNIT 4 SANDBROOK PARK, SANDBROOK WAY, ROCHDALE, OL11 1RY

01706 353 633

SALES@FOODSERVICESPARES.COM



WWW.FOODSERVICESPARES.COM